

Hustler[®] Parts Manual



HUSTLER[®]
TURF EQUIPMENT

200 South Ridge Road

Hesston, Kansas

67062



NOTICE OF REQUIREMENT OF SPARK ARRESTER MUFFLER

This equipment may create sparks that can start fires around dry vegetation. California Public Resources Code Section 4442.6 provides that it is unlawful to use or operate an internal combustion engine on any forest-covered, brush-covered, or grass-covered land unless the engine is equipped with a spark arrester maintained in effective working order. A spark arrester is a device constructed of nonflammable materials specifically for the purpose of removing and retaining carbon and other flammable particles over 0.0232 of an inch in size from the exhaust flow of an internal combustion engine that uses hydrocarbon fuels or which is qualified and rated by the United States Forest Service. Other states or federal areas may have similar laws. The Operator Should Contact Local Fire Agencies For Laws or Regulations Relating to Fire Prevention Requirements. **THIS EQUIPMENT DOES NOT HAVE A SPARK ARRESTER AND YOU SHOULD CONTACT YOUR AUTHORIZED DEALER FOR THE PURCHASE OF A SPARK ARRESTER.**

Inspect spark arrester daily; replace every 500 hours or as needed.

The Engine Owner's Manual provides information regarding the U.S. Environmental Protection Agency (EPA) and the California Emission Control Regulation of emission systems, maintenance and warranty.

Keep Engine Owner's Manual with your unit. Should the Engine Owner's Manual become damaged or illegible, replace immediately. Replacements may be ordered per the information found in the Product Information section of the owner's manual.

Federal law and California State law prohibit the following acts or the causing thereof:

1. The removal or rendering inoperative by any person other than for purposes of maintenance, repair, replacement, of any device or element of design incorporated into any equipment for the purposes of emissions control prior to or after its sales or delivery to the ultimate purchaser or while it is in use, or
2. The use of the equipment after such device or element of design has been removed or rendered inoperative by any person.

General Information	1
---------------------	---

Frame, Footrest & Engine Cover

Frame - Side Discharge Decks	3-1
Frame - Rear Discharge Decks	3-2
Footrest	3-3
Engine Cover (Multi-Page)	3-4
Radiator & Air Cleaner Support	3-5

Hydraulic System, Steering & Brake

Hydraulic System (Multi-Page)	4-1
Pump Breakdown	4-2
Hydraulic Filter and Reservoir Assembly Breakdown	4-3
Manifold Assembly Breakdown	4-4
Wheel Motor Breakdown	4-5
Steering	4-6
Steering Cover Assembly (Multi-Page)	4-7
RS Steering Box Assembly Breakdown	4-8
LS Steering Box Assembly Breakdown	4-9
Brake - S/N 18031622 & Higher	4-10
Brake - S/N Prior to 18031622	4-11

Wheels & Tires

Wheel & Tire	5-1
Front Wheel Assembly Breakdown	5-2
54" Mower - Drive Wheel Breakdown	5-3
60" Mower - Drive Wheel Breakdown	5-4
60" & 72" Rear Discharge Mowers - Drive Wheel Breakdown	5-5

Engine, Muffler, Drive Belt, Clutch, Fuel System & Cooling System

Engine, Oil Filter, Fuel Filter & Muffler - S/N 19060988 & Higher (Multi-Page)	6-1
Engine, Oil Filter, Fuel Filter & Muffler - S/N Prior to 19060988 (Multi-Page)	6-2
Air Cleaner	6-3
Clutch & Drive Belt	6-4
Fuel System	6-5
Cooling System	6-6

Instrument Panel, Wire Harness & Battery

Instrument Panel & Wire Harness	7-1
Battery	7-2

Deck, Deck Belt, Blades & Deck Lift

54" SIDE DISCHARGE DECK

54" SD - Service Deck	8.1-1
54" SD - Deck Pulleys & Spindles	8.1-2
54" SD - Deck Belt, Discharge Chute, Pulley Covers & Blades	8.1-3
54" / 60" SD - Deck Lift & Mounting Hardware (Multi-Page)	8.1-4

60" SIDE DISCHARGE DECK

60" SD - Service Deck	8.2-1
60" SD - Deck Pulleys & Spindles	8.2-2
60" SD - S/N Prior to 16028645 - Deck Belt, Discharge Chute, Pulley Covers & Blades	8.2-3
60" Side Discharge Deck - S/N 16028645 & Higher	8.2-4
54" / 60" SD - Deck Lift & Mounting Hardware (Multi-Page)	8.2-5

60" REAR DISCHARGE DECK

60" RD - Service Deck	8.3-1
60" RD - Deck Pulleys & Spindles (Multi-Page)	8.3-2
60" RD - S/N Prior to 16033426 - Deck Belt, Pulley Covers & Blades (Multi-Page)	8.3-3
60" RD - S/N 16033426 & Higher - Deck Belt, Pulley Covers & Blades (Multi-Page)	8.3-4
60" RD - Dust Shield	8.3-5
60" / 72" RD - Deck Lift & Mounting Hardware (Multi-Page)	8.3-6

72" REAR DISCHARGE DECK

72" RD - Service Deck 8.4-1
72" RD - Deck Pulleys & Spindles (Multi-Page) 8.4-2
72" RD - S/N Prior to 16024260 - Deck Belt, Pulley Covers & Blades (Multi-Page) 8.4-3
72" RD - S/N 16024260 & Higher - Deck Belt, Pulley Covers & Blades (Multi-Page) 8.4-4
72" RD - Dust Shield 8.4-5
60" / 72" RD - Deck Lift & Mounting Hardware (Multi-Page) 8.4-6

Seat & ROPS

Seat 9-1
Seat Service Parts - 792051 9-2
ROPS & Firewall 9-3

General Information

This manual covers Hustler® Diesel Z models **931279CE, 931287CE, 931295CE & 931717CE.**

Service Literature

PART NO.	DESCRIPTION
603695CE	OPERATOR'S MANUAL
115164	SERVICE MANUAL
115165	WARRANTY STATEMENT
101741	SHIBAURA S773L ENGINE PARTS MANUAL
109821	SHIBAURA S773L ENGINE OWNER'S MANUAL

Options Available From Your Dealer

PART NO.	DESCRIPTION
110467	BEACON KIT
110469	FLASHER KIT
603167	FLEX FORKS (SET OF 2)
109920	HITCH KIT
110153	LIGHT KIT
113721	MULCH KIT, 54" (WITHOUT BLADES)
113722	MULCH KIT, 60" (WITHOUT BLADES)
113724	MULCH KIT, 72" (WITHOUT BLADES)
113910	REAR ANTI-SCALP (SINGLE) 54", 60" OR 72"
113911	REAR ANTI-SCALP (DUAL) 60"
113937	REAR ANTI-SCALP (DUAL) 72"
113907	SAND KIT, 54"
113679	SAND KIT, 60"
113909	SAND KIT, 72"
353961	STEERING LEVER EXTENSION KIT
789537	TIRE/WHEEL ASSY 13 X 6.5-6 SEMI-PNEUMATIC

Note: When ordering parts, you must use the part number as shown for each part, not the index number. Always give the model and serial number to your parts and service representative.

Note: Items sold in bulk such as seals and hoses are sold by the foot.

Using This Manual

This manual is part of a service package for the Hustler® mowers. Use of this manual in conjunction with other Hustler® mower and component manuals will provide the information necessary to service and maintain Hustler® mowers.

This Parts Manual provides a complete parts listing for the unit. Use this manual when ordering parts. Illustrations used were current at the time of printing, but subsequent production changes may cause your machine to vary slightly in detail. Excel Industries, Inc. reserves the right to redesign and change the machine as deemed necessary, without notification. If a change has been made to your machine which is not reflected in this parts manual, see your authorized dealer for current information and parts.

The Service Manual is a service guide for use by Service Technicians. It provides the necessary information needed to perform normal maintenance requirements on these units.

The Operator's Manual provides fundamental operational information and operational safety that is needed when operating the mower.

The component manuals are furnished by the various manufacturers to be used for the troubleshooting and servicing of their products.

Hardware Description Codes & Abbreviations

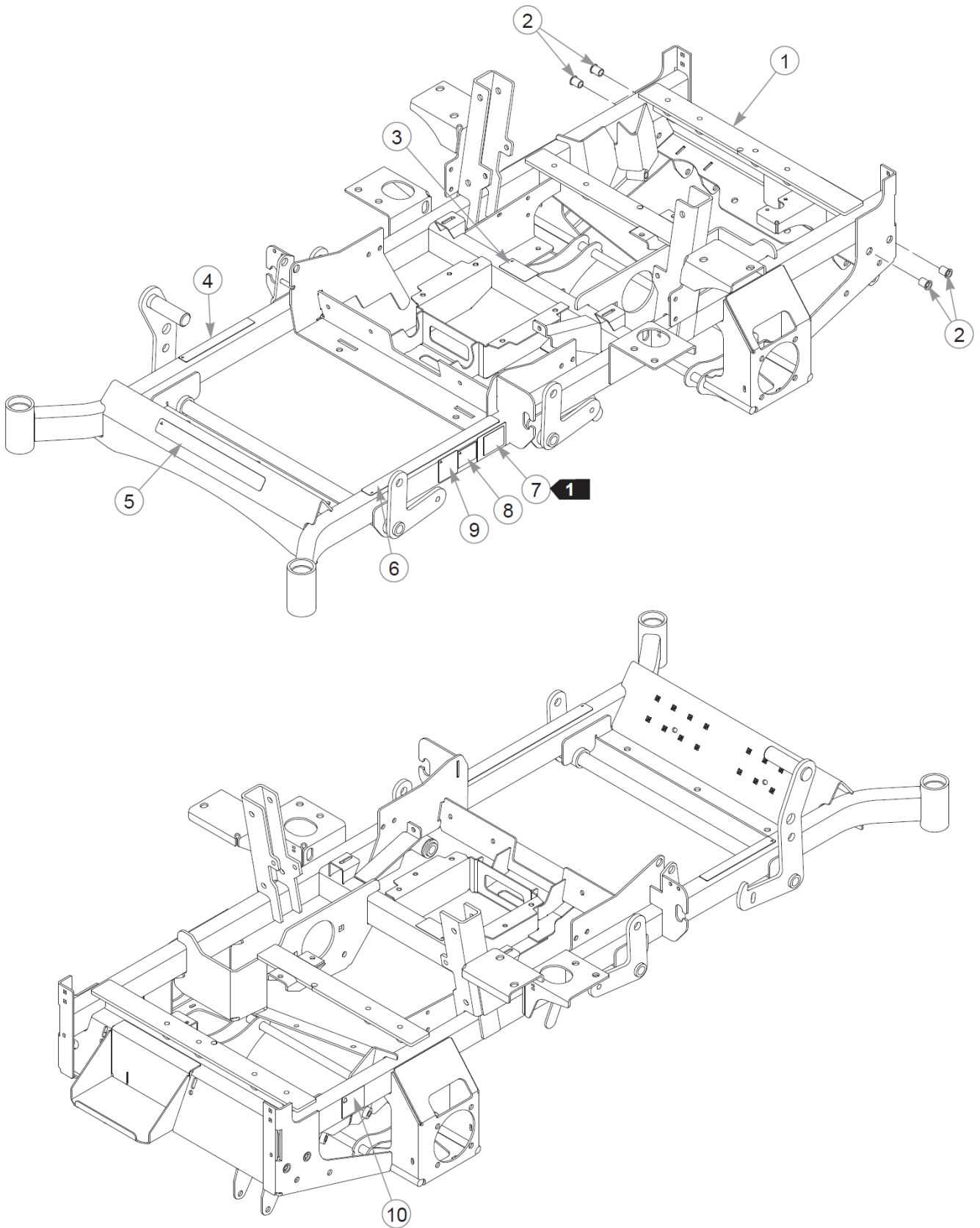
The following codes are used throughout this parts manual. Refer to this list when ordering parts.

ABBREVIATION	DESCRIPTION	ABBREVIATION	DESCRIPTION
CB	CARRIAGE BOLT	MB	MACHINE BUSHING
CE	CLEVIS PIN	MS	MACHINE SCREW
CN	CLIP NUT	NT	NUT
CP	COTTER PIN	SC	SELF TAPPING CAP SCREW
CS	CAP SCREW	SH	SOCKET HEAD
CW	CUP WASHER	SB	SHOULDER BOLT
FDRW	FENDER WASHER	SS	SET SCREW
FW	FLAT WASHER	OD	OUTSIDE DIAMETER
HX	HEX HEAD	ID	INSIDE DIAMETER
LW	LOCK WASHER		

Standard Torques

The following chart lists the standard torque values for the threaded fasteners found in this manual. Torque all cap screws, nuts and set screws to these values unless a different torque is shown in the Notes section next to the fastener.

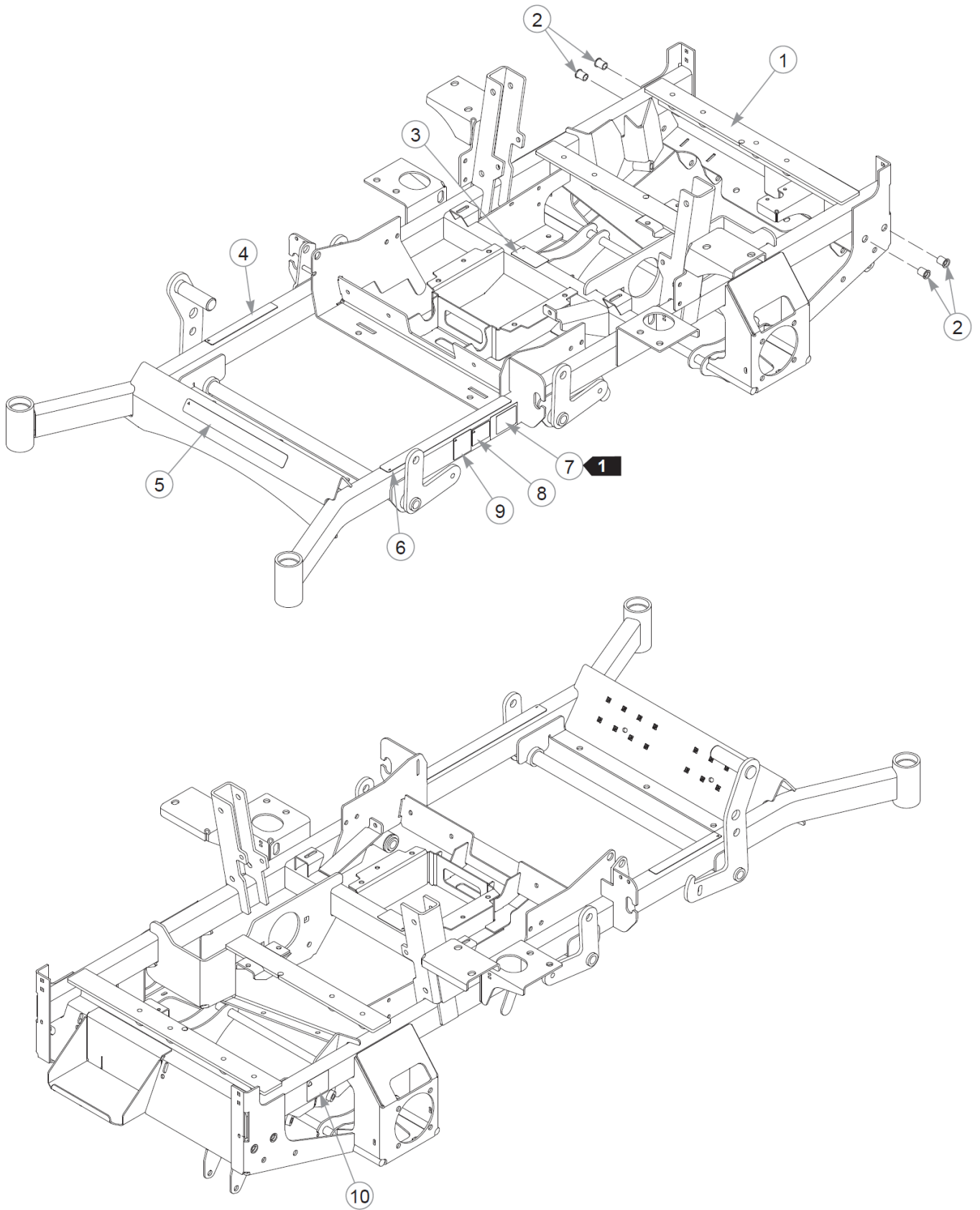
SIZE	FT-LBS	N-M	SIZE	FT-LBS	N-M
.250	8.2	11.1	M3	1	1.3
.312	17	23	M4	2.2	3
.375	30	40	M5	4.5	6.1
.438	48	65	M6	7.7	10.4
.500	73	99	M8	18.5	25
.562	105	143	M10	37	50
.625	145	200	M12	64	87
.750	260	350	M14	80	108.5
.875	420	565	M16	160	215
1.00	625	850	M20	320	435
			M24	555	750



Elemento	Parte n.	Q.ta	Nome
1	551232CE	1	SERVICE FRAME, 54"
Not Shown	551153CE	1	SERVICE FRAME, 60"
2	600961	4	RIVET NUT, 1/2-13 THREAD
3	601968	1	DECAL, HYDRAULIC PRESS
4	781427CE	1	DECK HEIGHT INDICATOR DECAL
5	602407	1	DECAL, HUSTLER ID
6	601993	1	DECAL, SAFE OPERATION
7	N/A	1	SERIAL NUMBER / SPEC DECAL
8	776310	1	DECAL, CE MARK
9	789776CE	1	DBA LIMIT DECAL
10	601596	1	DECAL, BELT ROUTING

Comments for Page: Frame - Side Discharge Decks

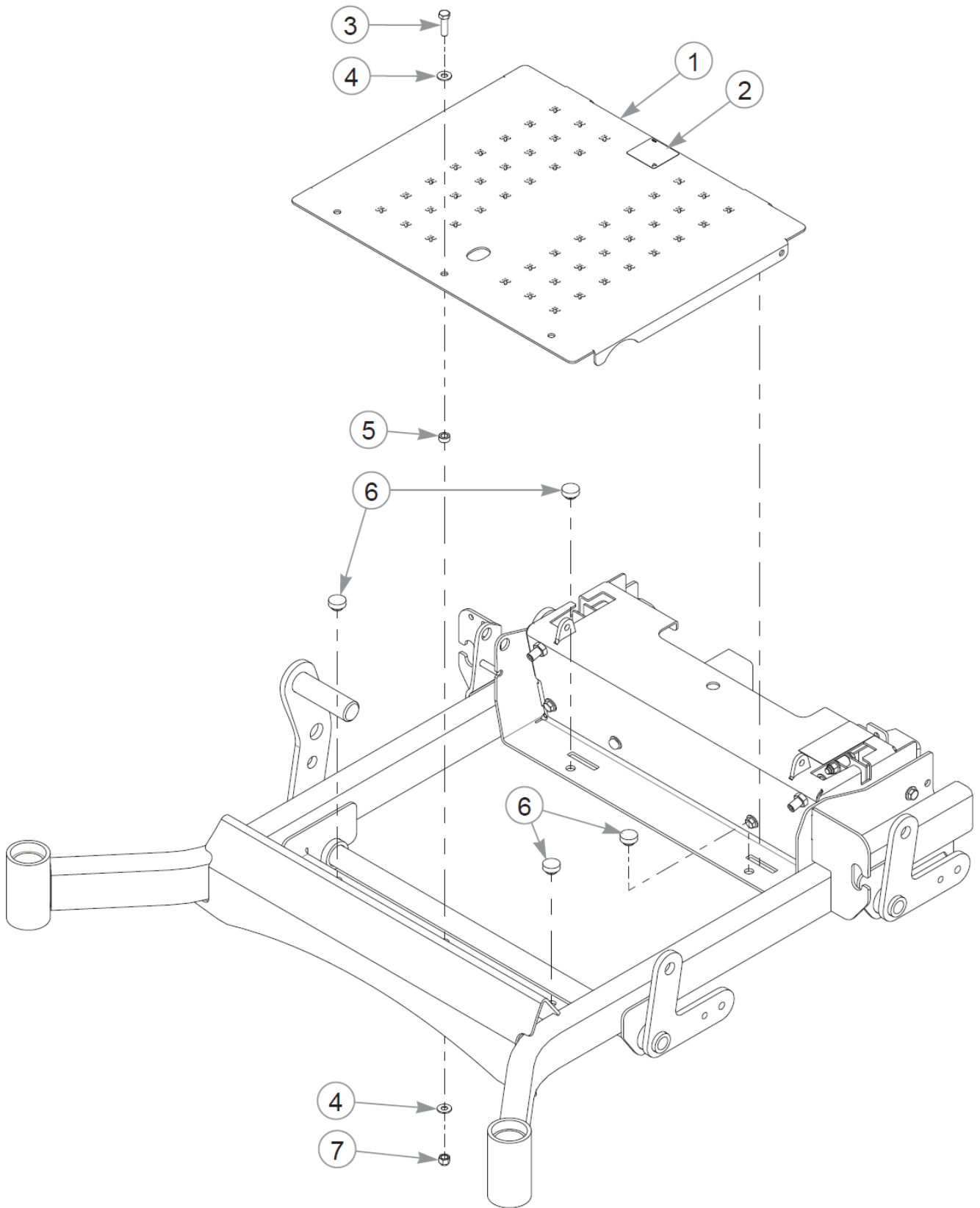
1. In the event the serial number tag becomes damaged or illegible, please contact your dealer to order a replacement.
2. Frames include decals and rivet nuts.



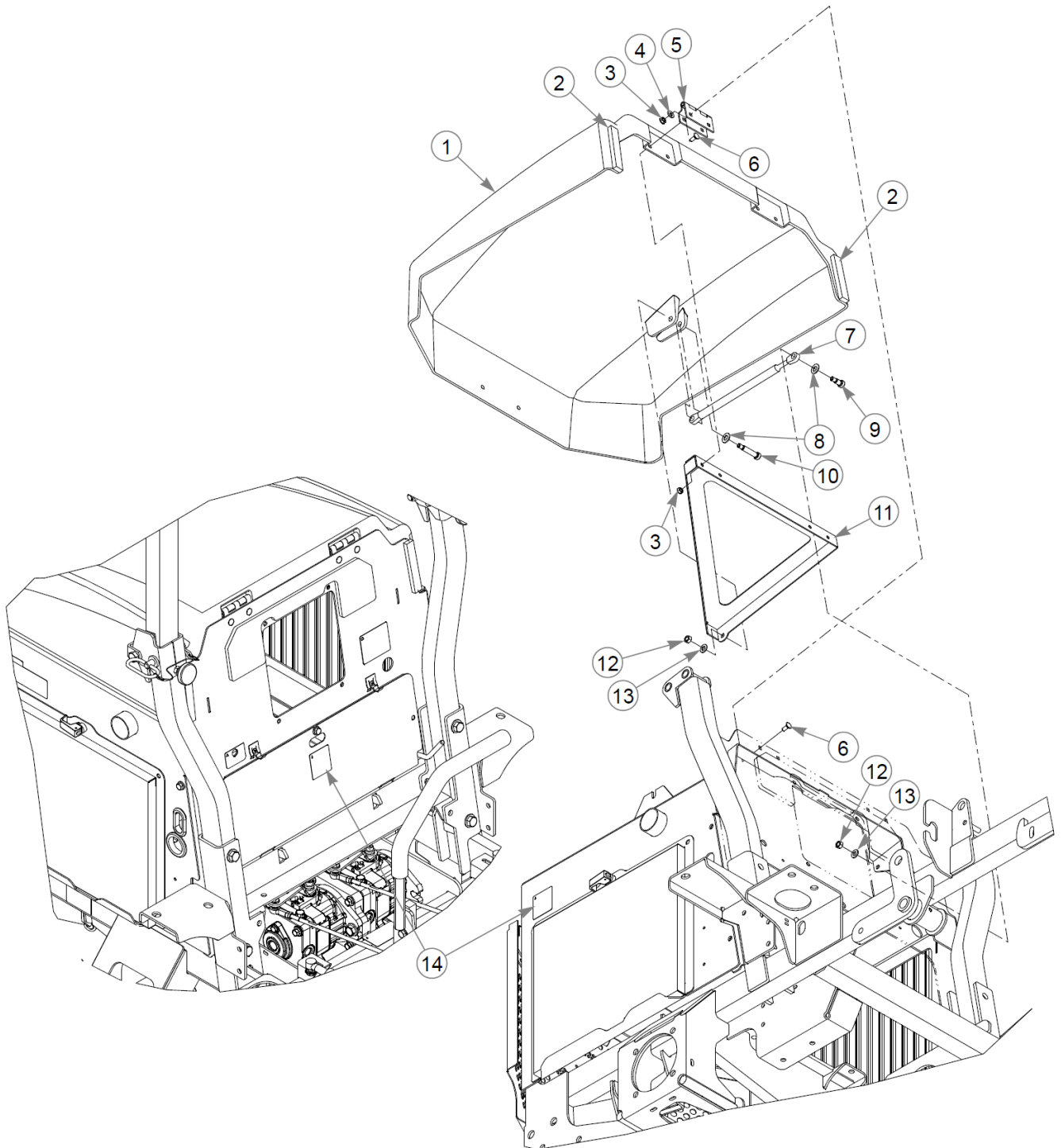
Elemento	Parte n.	Q.ta	Nome
1	551155CE	1	SERVICE FRAME, 60"
Not Shown	551156CE	1	SERVICE FRAME, 72"
2	600961	4	RIVET NUT, 1/2-13 THREAD
3	601968	1	DECAL, HYDRAULIC PRESS
4	781427CE	1	DECK HEIGHT INDICATOR DECAL
5	602407	1	DECAL, HUSTLER ID
6	601993	1	DECAL, SAFE OPERATION
7	N/A	1	SERIAL NUMBER / SPEC DECAL
8	776310	1	DECAL, CE MARK
9	789776CE	1	DBA LIMIT DECAL
10	601596	1	DECAL, BELT ROUTING

Comments for Page: Frame - Rear Discharge Decks

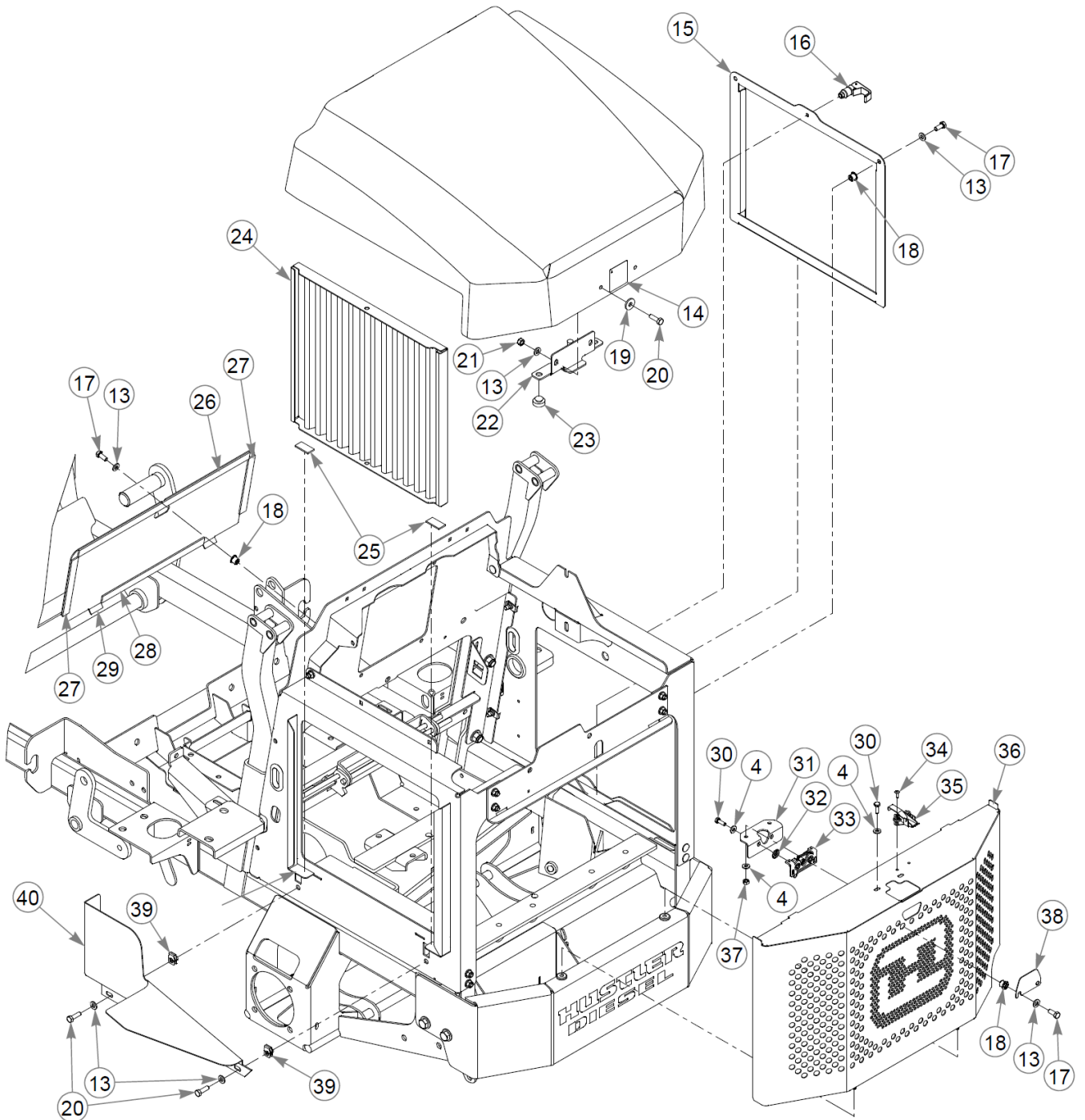
1. In the event the serial number tag becomes damaged or illegible, please contact your dealer to order a replacement.
2. Frames include decals and rivet nuts.



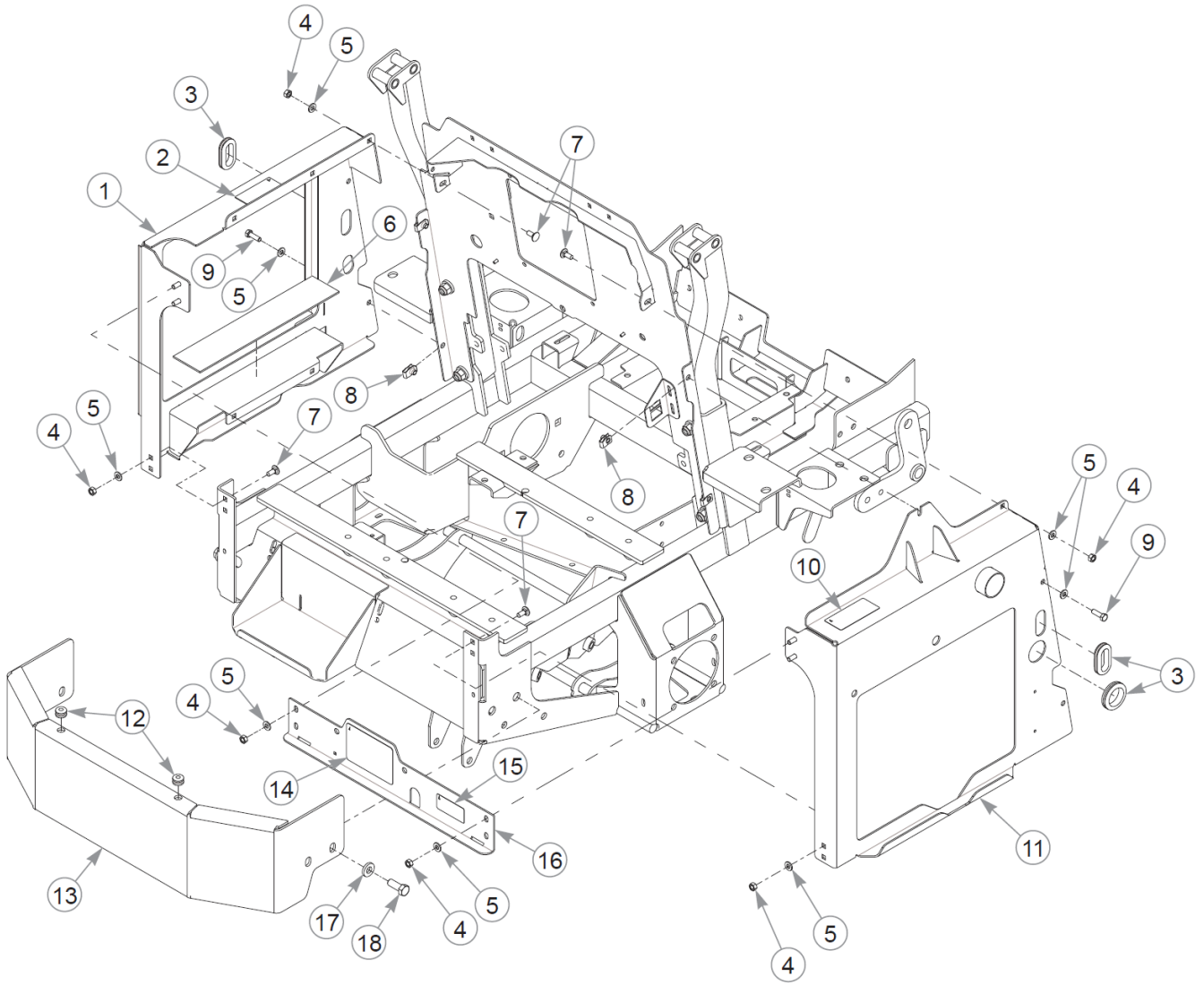
Elemento	Parte n.	Q.ta	Nome
1	551139	1	FLOORPAN, SERVICE
2	602562	1	DECAL, NO SERVICE
3	052860	1	CS .375-16X1.25 HX G5 ZY
4	767954	2	FW 0.379X.82X.06 HD ZY
5	118900	1	SPACER, DECK LIFT LINK
6	781880	4	BUMPER, .500x 1.00x .31
7	086660	1	NT .375-16NLG8



Elemento	Parte n.	Q.ta	Nome
1	601363	1	HOOD, HDZ
2	713198	2	SEAL 3/8x3/4 SOLD BY FT
3	068551	8	NT .250-20 HXZY NL
4	768515	10	FW 0.281SAE
5	601364	2	HINGE, 3"X3" ZN W/ HOLES
6	601503	8	CB .250-20 X .625 ZNYC
7	601564	1	GAS SPRING, HDZ HOOD
8	767954	2	FW 0.379X.82X.06 HD ZY
9	063297	1	SB0.375X0.500SH0.312-18
10	601379	1	SB .375 X 1.50SH .312-18
11	109745	1	LIFT SUPPORT W/A
12	034272	2	NT .312-18HXG5
13	768523	10	FW 0.343SAE
14	602562	3	DECAL, NO SERVICE
15	109341	1	SCREEN, RS W/A HDZ
16	791384	1	LATCH, HEAVY DUTY SWELL
17	034280	4	CS .312-18X0.750HXG5
18	808485	4	RIVET NUT, 5/16-18 THRE
19	712927	2	FW 0.344X1.00X.12 HD ZY
20	036236	4	CS .312-18X1.250HXG5
21	058776	2	NT .312-18NLG5
22	109722	1	LATCH STRIKER W/A
23	781880	2	BUMPER, .500x 1.00x .31
24	109137	1	RADIATOR SCREEN W/A HDZ
25	033035	2	WEATHERSTRIP .12X.75
26	033035	1	WEATHERSTRIP .12X.75
27	033035	2	WEATHERSTRIP .12X.75
28	033035	1	WEATHERSTRIP .12X.75
29	109136	1	PANEL, FIREWALL ACCESS
30	055939	4	CS .250-20X0.75 HX G5 ZY
31	124364-1	1	LATCH BRACKET
32	029868	2	LW .250 INTEXT ZY
33	601373	1	LATCH, SLAM SOUTHCO
34	601089	2	RIVET .188 DIA BLK HD
35	758821	1	OVER CNTR CATCH W/LCK H
36	109413	1	COVER, REAR W/A HDZ
37	024927	2	NT .250-20HXG5
38	109720	1	PLATE, LATCH COVER LOCK



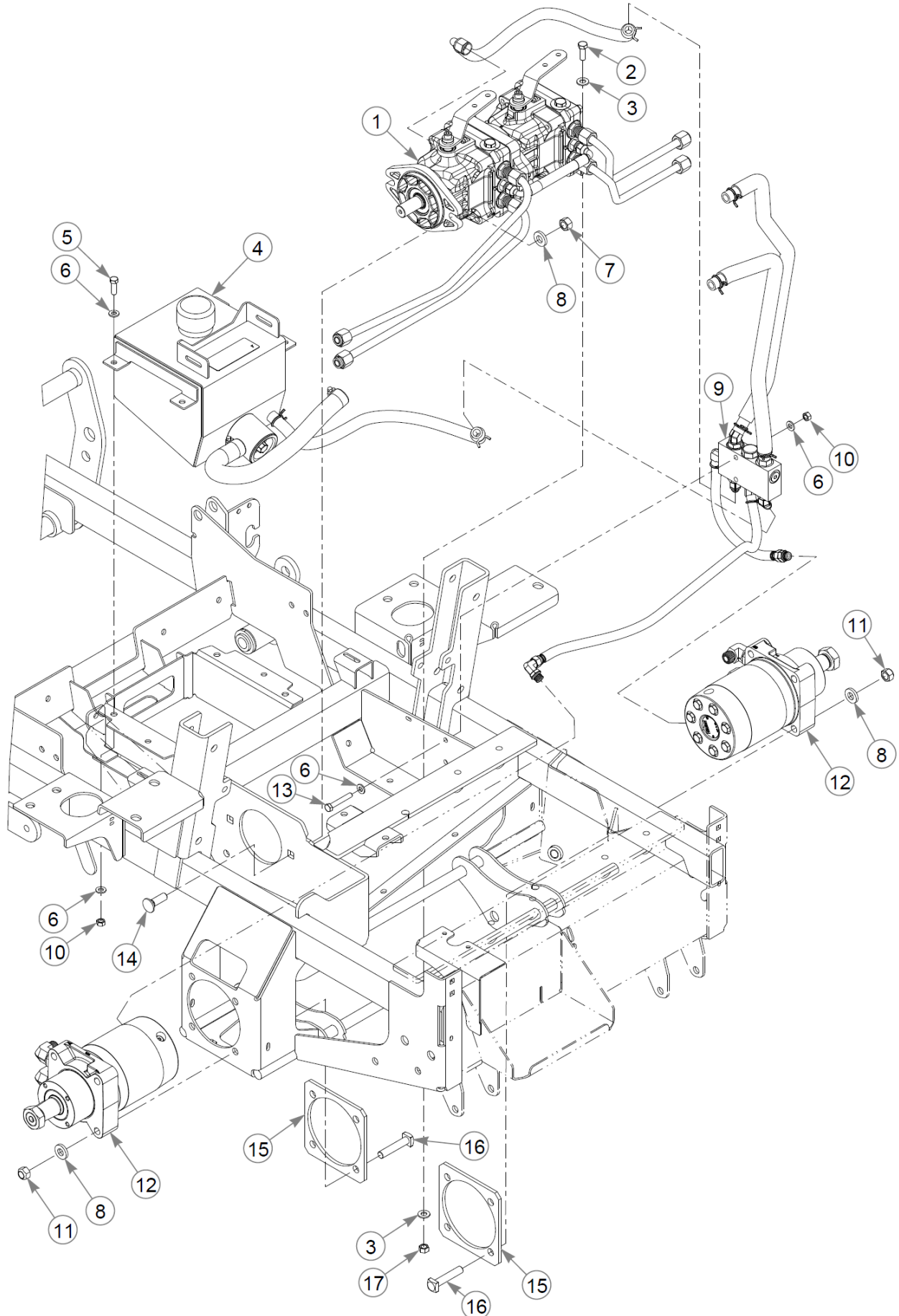
Elemento	Parte n.	Q.ta	Nome
39	601069	2	CN .312-18x.200 MAX THK
40	109559	1	FENDER, INNER PANEL



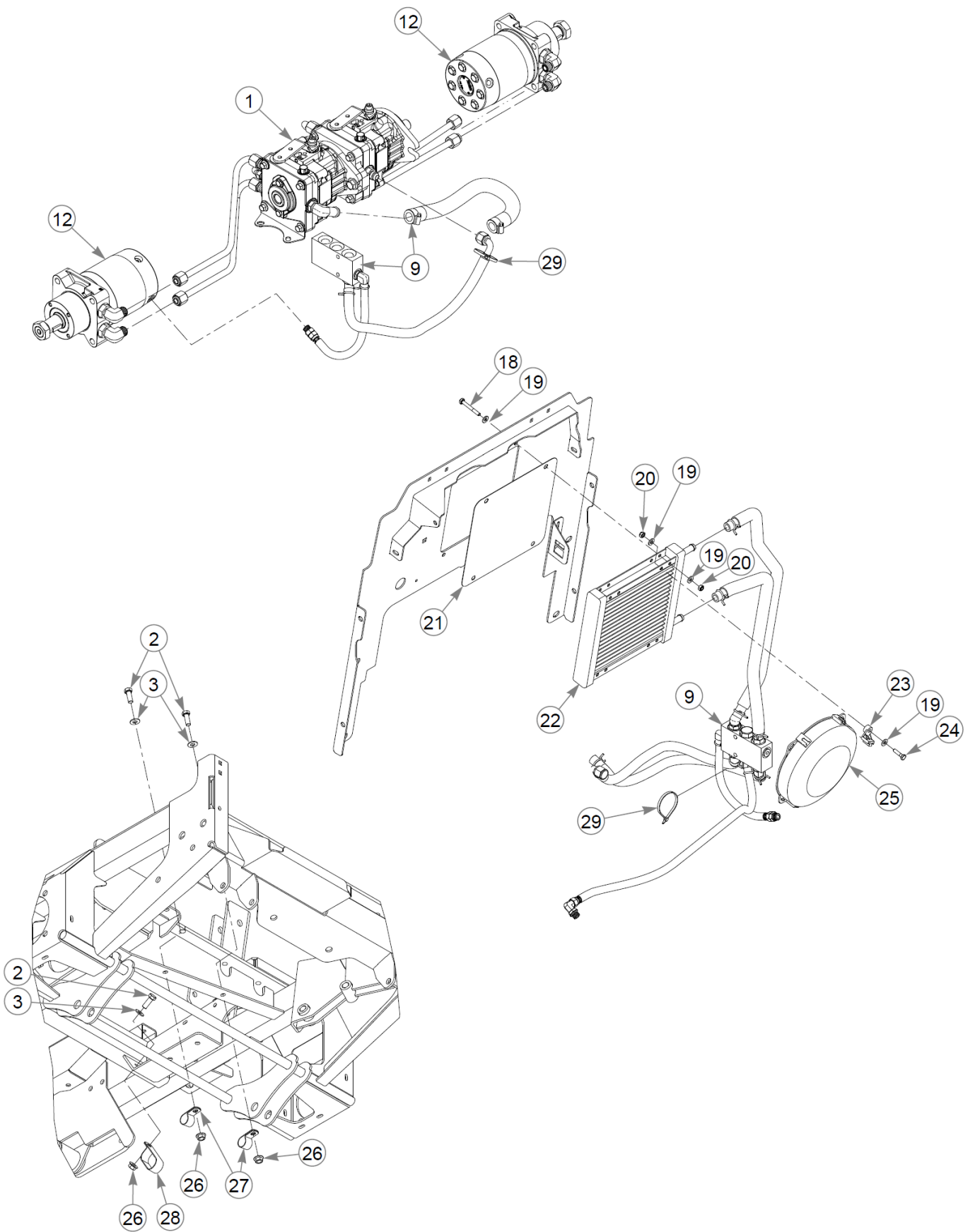
Elemento	Parte n.	Q.ta	Nome
1	551141	1	RADIATOR SUPPORT,
2	763805CE	1	FAN WARNING DECAL
3	794644	3	GM 1.50 X 2.12 X 1.75
4	034272	10	NT .312-18HXG5
5	768523	14	FW 0.343SAE
6	601558	1	RADIATOR SUPPORT PAD
7	016253	6	CB .312-18X .750 FUL ZN
8	601069	4	CN .312-18x.200 MAX THK
9	036236	4	CS .312-18X1.250HXG5
10	601967	1	DECAL, ENGINE COMPART
11	551142	1	AIR CLEANER MOUNT,
12	031666	2	GM .31X.81X.56X.18
13	109105	1	GUARD, REAR ENGINE W/A
14	601815	1	DECAL, BATTERY WARNINGS
15	602041	1	DECAL, HOT
16	551143	1	OVERFLOW BOTTLE MOUNT
17	767962	4	FW .531 x 1.063 x .175
18	705954	4	CS .500-13X1.25 HX G5 ZY

Comments for Page: Radiator & Air Cleaner Support

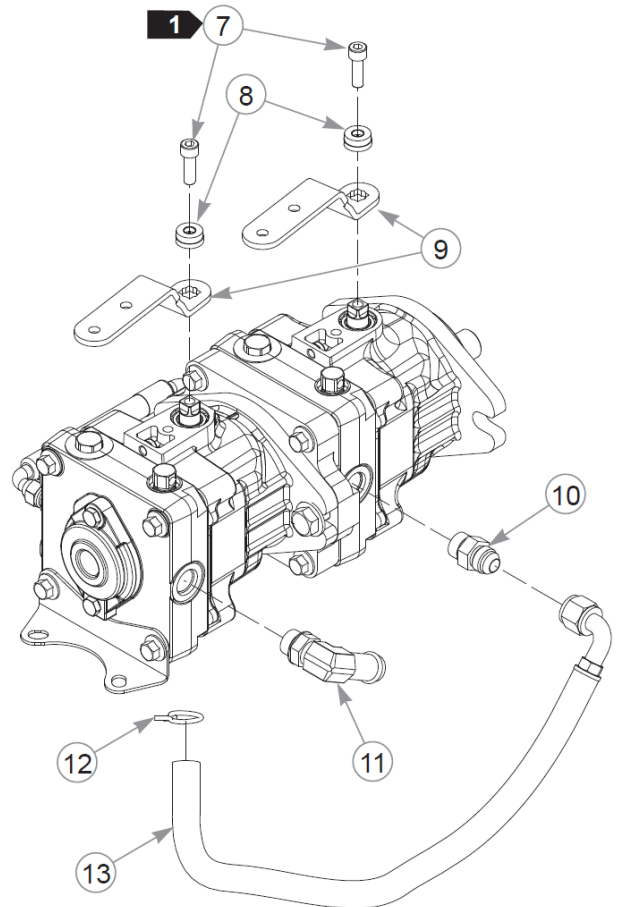
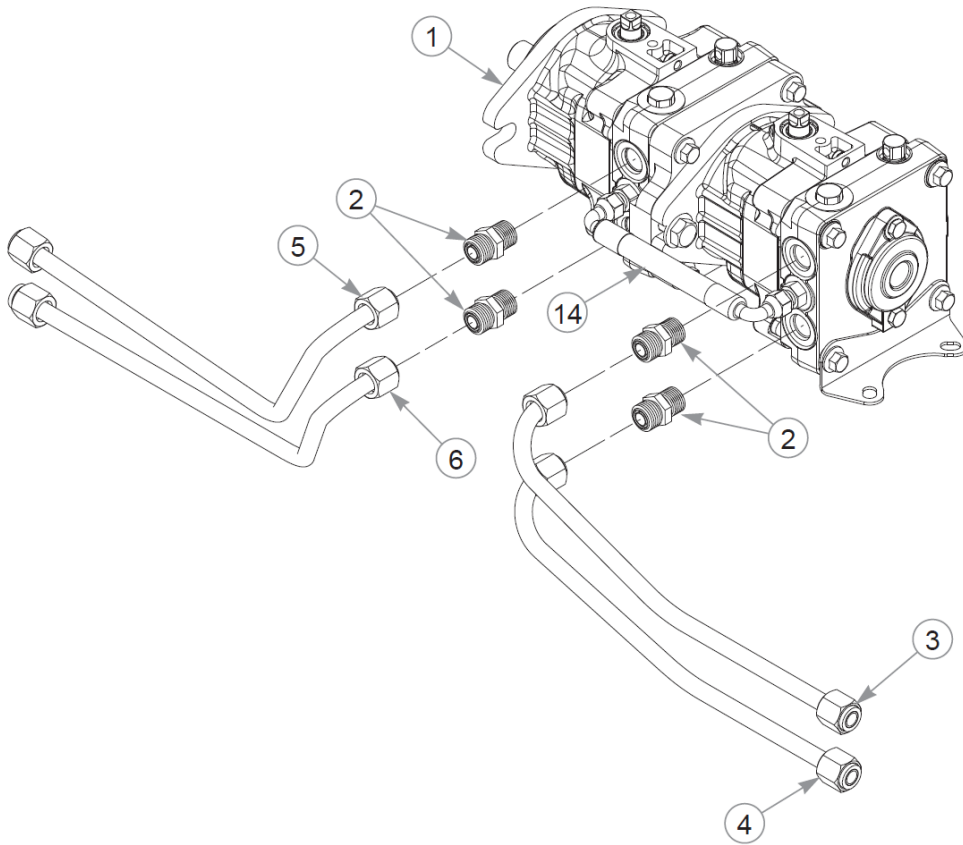
1. The radiator screen, air cleaner mounting panel and hood support angle include decals.



Elemento	Parte n.	Q.ta	Nome
1		1	REFER TO "PUMP ASSEMBLY BREAKDOWN"
2	036244	5	CS .375-16X1.00 HX G5 ZY
3	767954	7	FW 0.379X.82X.06 HD ZY
4		1	REFER TO "RESERVOIR ASSEMBLY BREAKDOWN"
5	036236	4	CS .312-18X1.250HXG5
6	768523	12	FW 0.343SAE
7	008193	2	NT .500-13HXG5
8	767962	10	FW .531 x 1.063 x .175
9		1	REFER TO "MANIFOLD ASSEMBLY BREAKDOWN"
10	034272	6	NT .312-18HXG5
11	023317	8	NT .500-13UNTG8
12		2	REFER TO "WHEEL MOTOR ASSEMBLY BREAKDOWN"
13	064345	2	CS .312-18X2.000HXG5
14	028274	2	CB .500-13X 1.500 FULL
15	115816	2	GUSSET, INT
16	602256	8	CS .500-13X2.500 SQ G5
17	054502	2	NT .375-16HXG5
18	704163	4	CS .250-20X2.000HXG5
19	768515	16	FW 0.281SAE
20	068551	8	NT .250-20 HXZY NL
21	109401	1	SCREEN, OIL COOLER
22	601356	1	OIL COOLER FOR 8" FAN
23	601538	4	FOOT, ELECTRIC FAN
24	056077	4	CS .250-20X1.000HXG5
25	601357	1	FAN, ELECTRIC 8" 12VDC
26	016899	3	NT .375-16 FLKG5
27	043570	2	CLIP - HOSE - SINGLE(FS)
28	045088	1	HOSE CLAMP 1" (FS)
29	000331	2	WIRE TIE, SMALL/SHORT



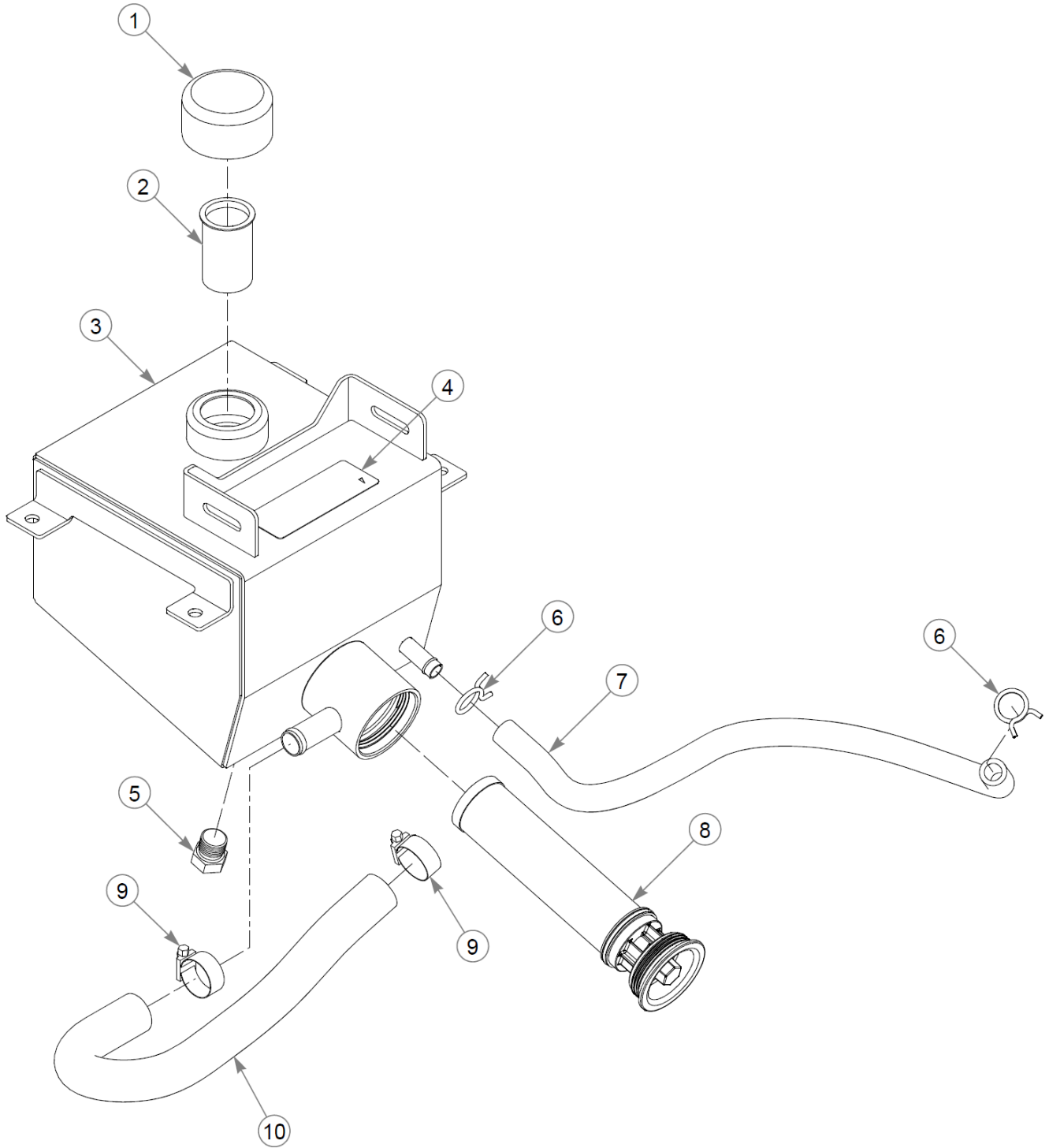
Pagina lasciata volutamente in bianco



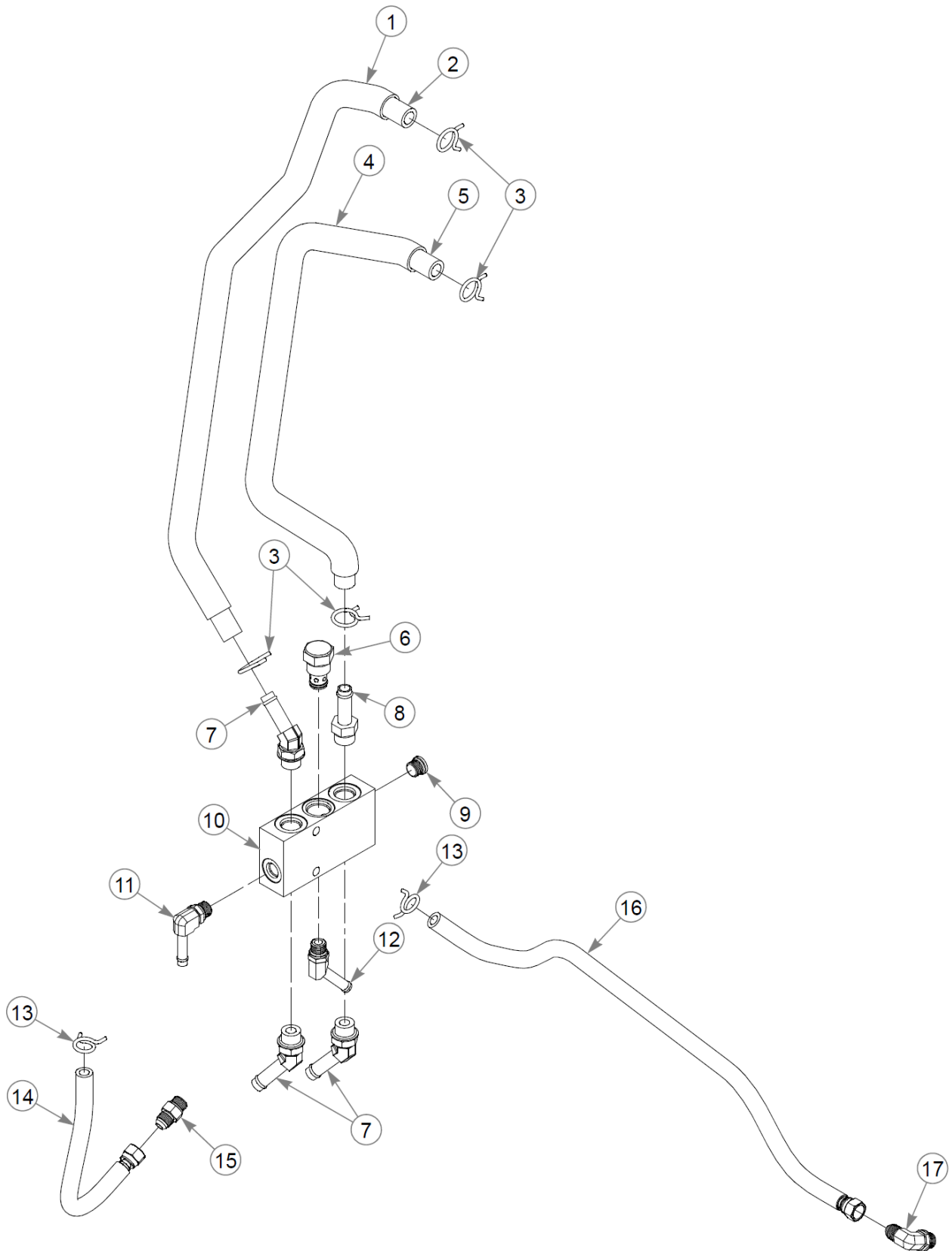
Elemento	Parte n.	Q.ta	Nome
1	603650	1	PUMP, 21CC TANDEM
Not Shown	600934	1	SEAL KIT, HG TANDEM 21
2	781534	4	FTG, STR-8MORB/-8MS
3	603701	1	TUBE, TP-TM RH LOOP
4	603700	1	TUBE, BP-BM RH LOOP
5	603699	1	TUBE, TP-TM, LH LOOP
6	603698	1	TUBE, BP-BM LH LOOP
7	795377	2	CS M8-1.25x25 SH BO NY
8	795369	2	RETAINER, PUMP ARM HYDR
9	109118	2	PUMP ARM, HDZ
10	771337	1	FTG,STR-8MORB/-8MJIC
11	601524	1	FTG, -8MORB/-12 BEAD
12	601001	1	SPRING CLAMP, .75" DIA
13	601520	1	HOSE, CASE DRAIN PUMP
14	796060	1	HOSE,LP PUMP TO PUMP

Comments for Page: Pump Breakdown

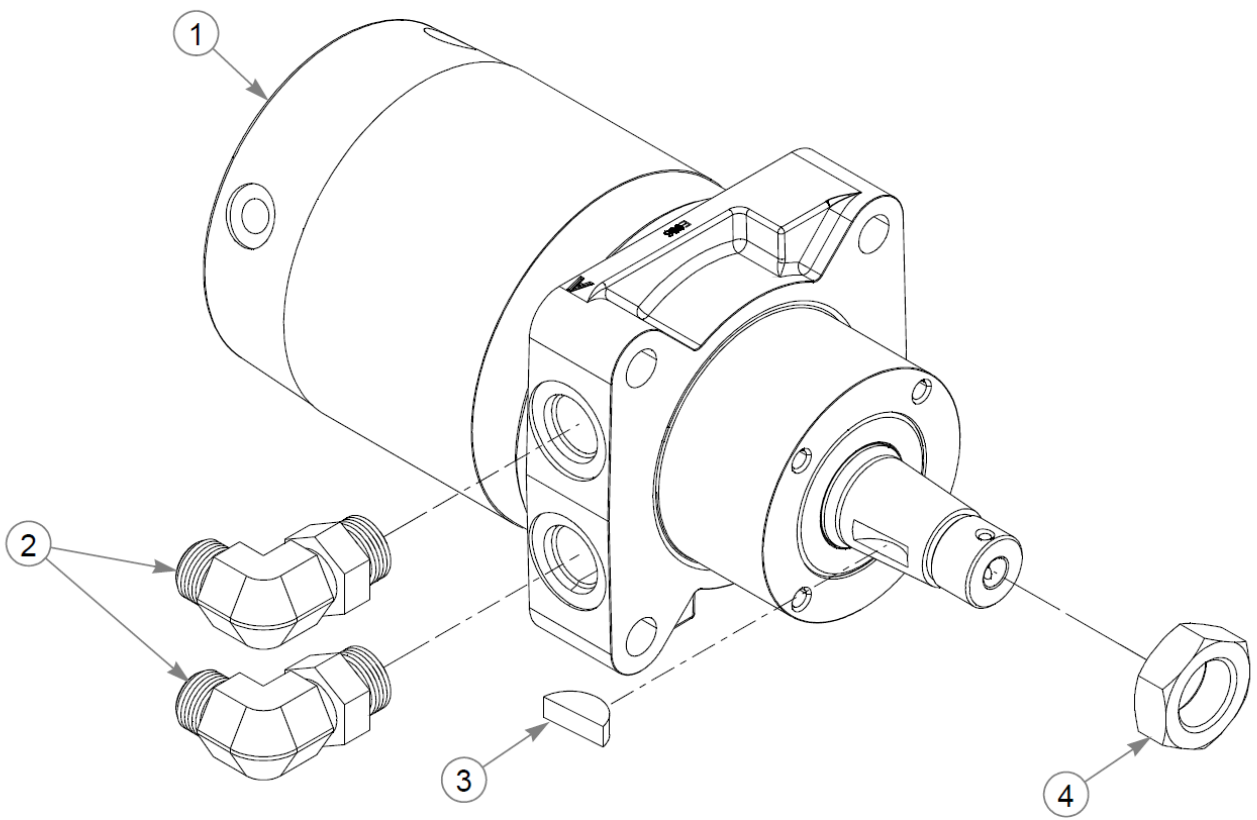
1. Torque to 180-200 in-lbs.



Elemento	Parte n.	Q.ta	Nome
1	032763	1	CAP, BREATHER
2	032771	1	STRAINER
3	549345	1	RESERVOIR W/A HDZ
4	779280	1	DECAL, HOT & HYD OIL
5	781658	1	FTG, -8MORB/HEX PLUG
6	601001	2	SPRING CLAMP, .75" DIA
7	601570	1	HOSE, RETURN MANI BLOCK
8	601413X	1	FILTER ELEMENT (HYDRAULIC OIL FILTER)
9	700484	2	CLAMP, HOSE (FS)
10	601517	1	HOSE, SUCTION HDZ HYDRO

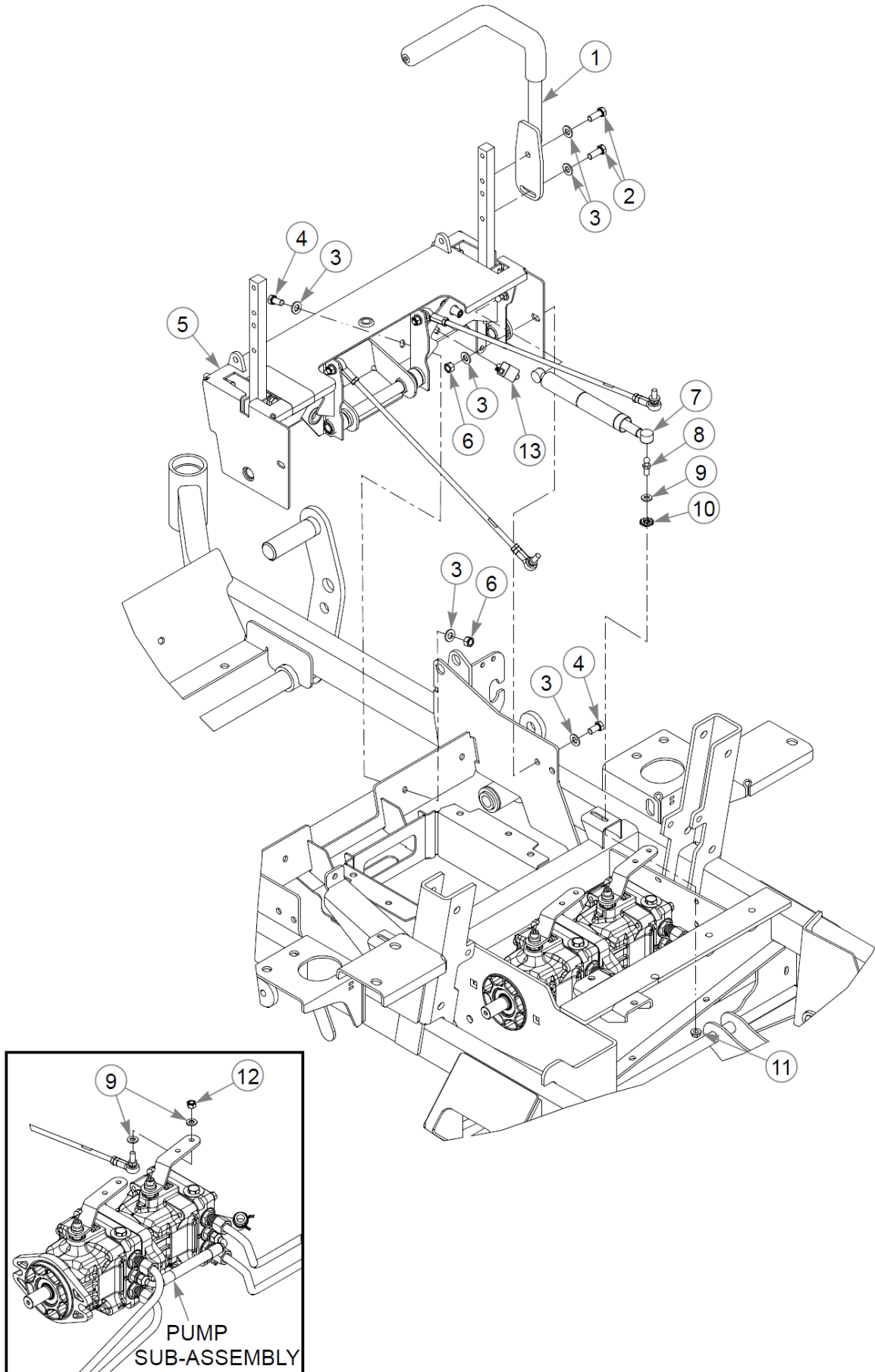


Elemento	Parte n.	Q.ta	Nome
1	601583	1	HOSE GUARD, BLOCK TO
2	601521	1	HOSE, MANIFOLD BLOCK
3	601001	4	SPRING CLAMP, .75" DIA
4	601584	1	HOSE GUARD, COOLER TO
5	601522	1	HOSE, RETURN COOLER
6	601568	1	VALVE, CARTRIDGE CHECK
7	601592	3	FTG, -8MORB/-8BEAD
8	601523	1	FTG, -8MORB/-8BT STR
9	601569	1	FTG, PLUG -8MORB/HEX
10	601476	1	MANIFOLD, CASE DRAIN
11	787465	1	FTG, 90°-6MORB/-6BT
12	784108	1	FTG, 45°-6MORB/-6BT
13	601617	2	SPRING CLAMP, 5/8" DIA.
14	603697	1	HOSE, CASE DRAIN RIGHT
15	779132	1	FTG, -6MORB/-6MJIC STR
16	603722	1	HOSE, CASE DRAIN LEFT
17	795922	1	FTG, 90-6MORB/-6MJI



Wheel Motor Breakdown

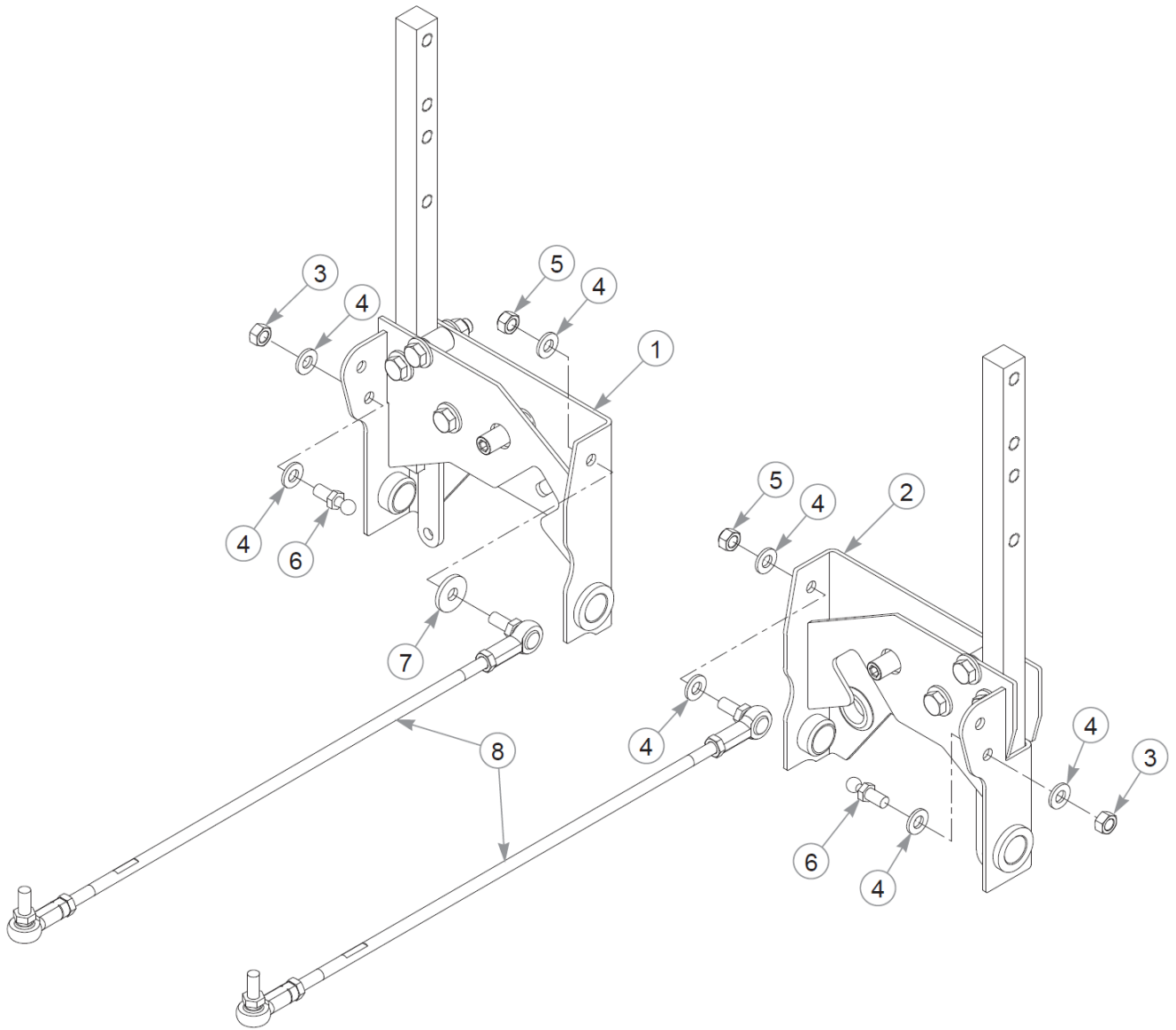
Elemento	Parte n.	Q.ta	Nome
1	603663	1	MOTOR, PARKER TG0335
Commenti per num parte 603663			
Wheel Motor includes 065516 ROSS NUT.			
2	781526	2	FTG, 90°-10MORB/-8MORFS
3	064337	1	ROSS WOODRUFF KEY
4	065516	1	ROSS NUT
5	748806	1	ROSS VITON SEAL KIT



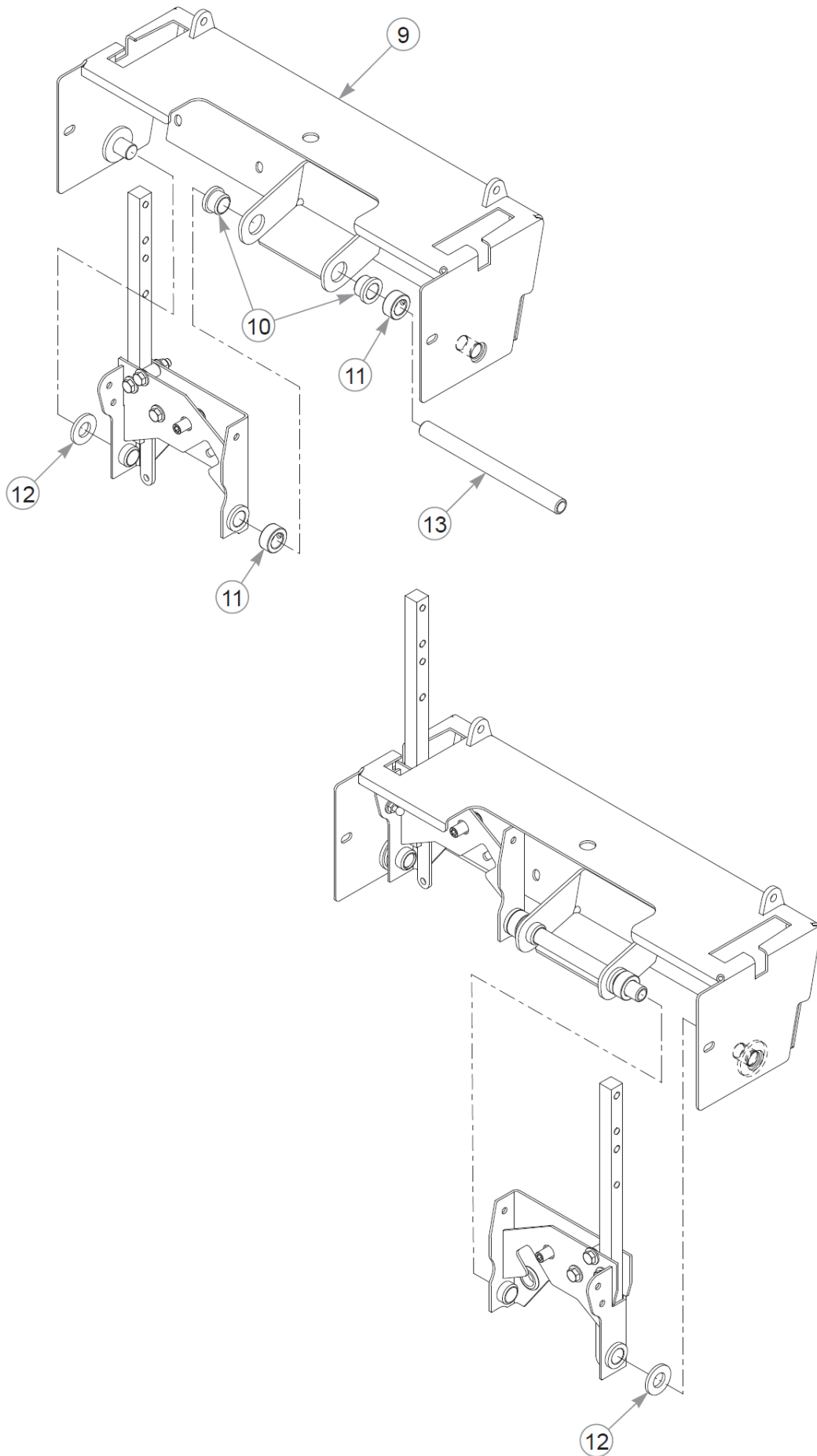
Elemento	Parte n.	Q.ta	Nome
1	109839	2	HANDLE, Z W/A
Not Shown	781260	2	GRIP, STEERING BAR
2	036244	4	CS .375-16X1.00 HX G5 ZY
3	767954	16	FW 0.379X.82X.06 HD ZY
4	055822	6	CS .375-16X0.75 HX G5 ZY
5	N/A	1	STEERING COVER ASSEMBLY
6	054502	6	NT .375-16HXG5
7	795351	2	DAMPER, CENTERING
8	781922	2	BALL STUD
9	768523	6	FW 0.343SAE
10	029876	2	LW .312 INTEXT ZY
11	016832	2	NT .312-18FLKG5
12	023655	2	NT 0.312-24 NL G8
13	601087	2	SWITCH, PLUNGER N.O.

Comments for Page: Steering

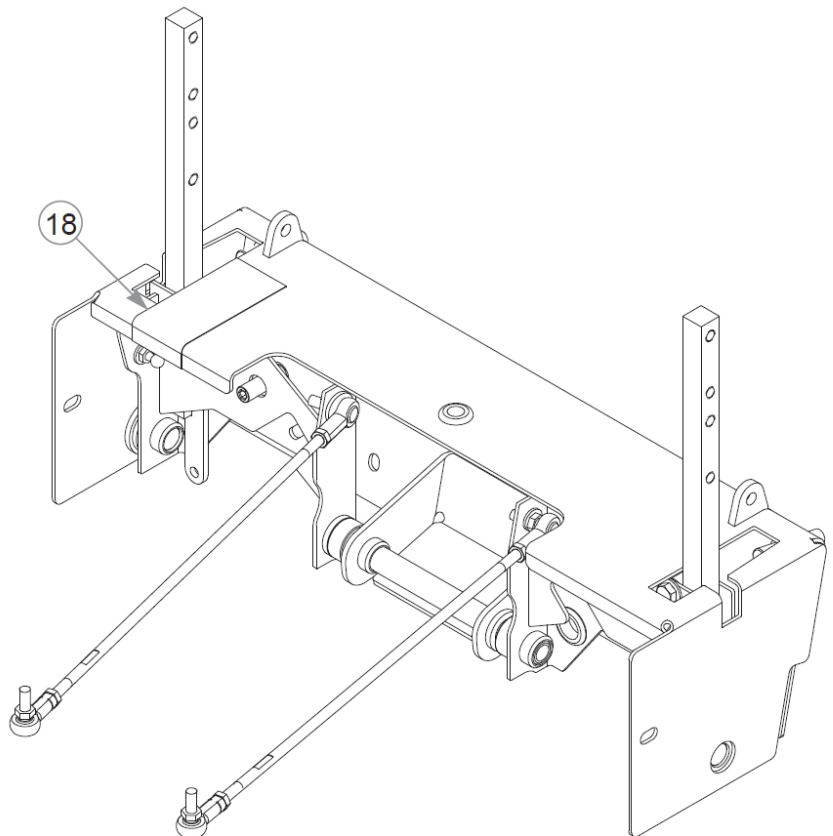
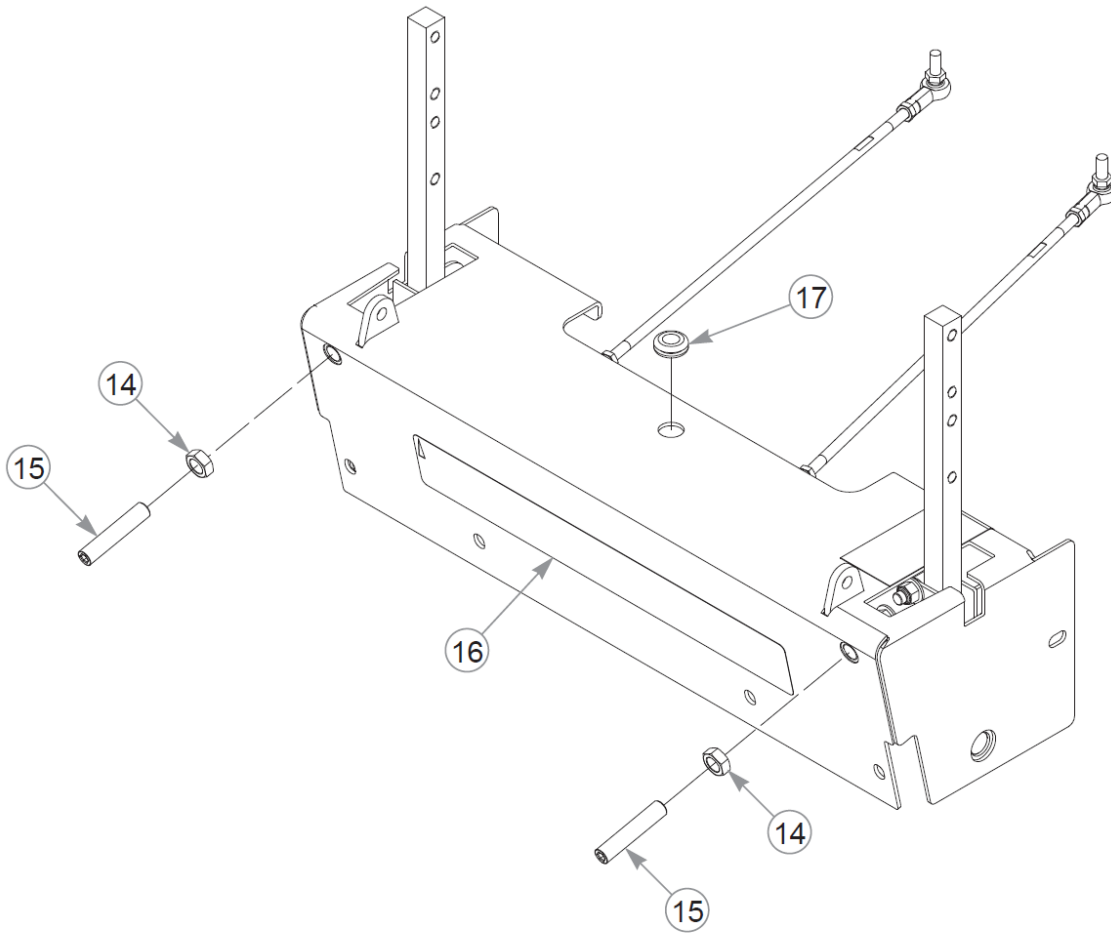
1. The steering handle includes the grip.



Elemento	Parte n.	Q.ta	Nome
1	N/A	1	LS STEERING BOX ASSEMBLY
2	N/A	1	RS STEERING BOX ASSEMBLY
3	034272	2	NT .312-18HXG5
4	768523	7	FW 0.343SAE
5	023655	2	NT 0.312-24 NL G8
6	781922	2	BALL STUD
7	712927	1	FW 0.344X1.00X.12 HD ZY
8	781286	2	PUMP ROD ADJUSTER ASSY
9	551135	1	STEERING COVER, SERVICE
10	781153	2	BUSHING, UHMW
11	784439	2	LOCK COLLAR,0.757 ID(FS)
12	603078	2	FW .750X1.50X.16 ZY
13	108813	1	STEER PIVOT TUBE
14	053199	2	NT .500-13JAMG5
15	603055	2	SS .500-13X 2.50 SH ZNYC
16	605089	1	DECAL, HDZ
17	080358	1	GM .50X1.00X.75X.12
18	722199	14 cm	POLYURETHANE 2" (FS)



Pagina lasciata volutamente in bianco

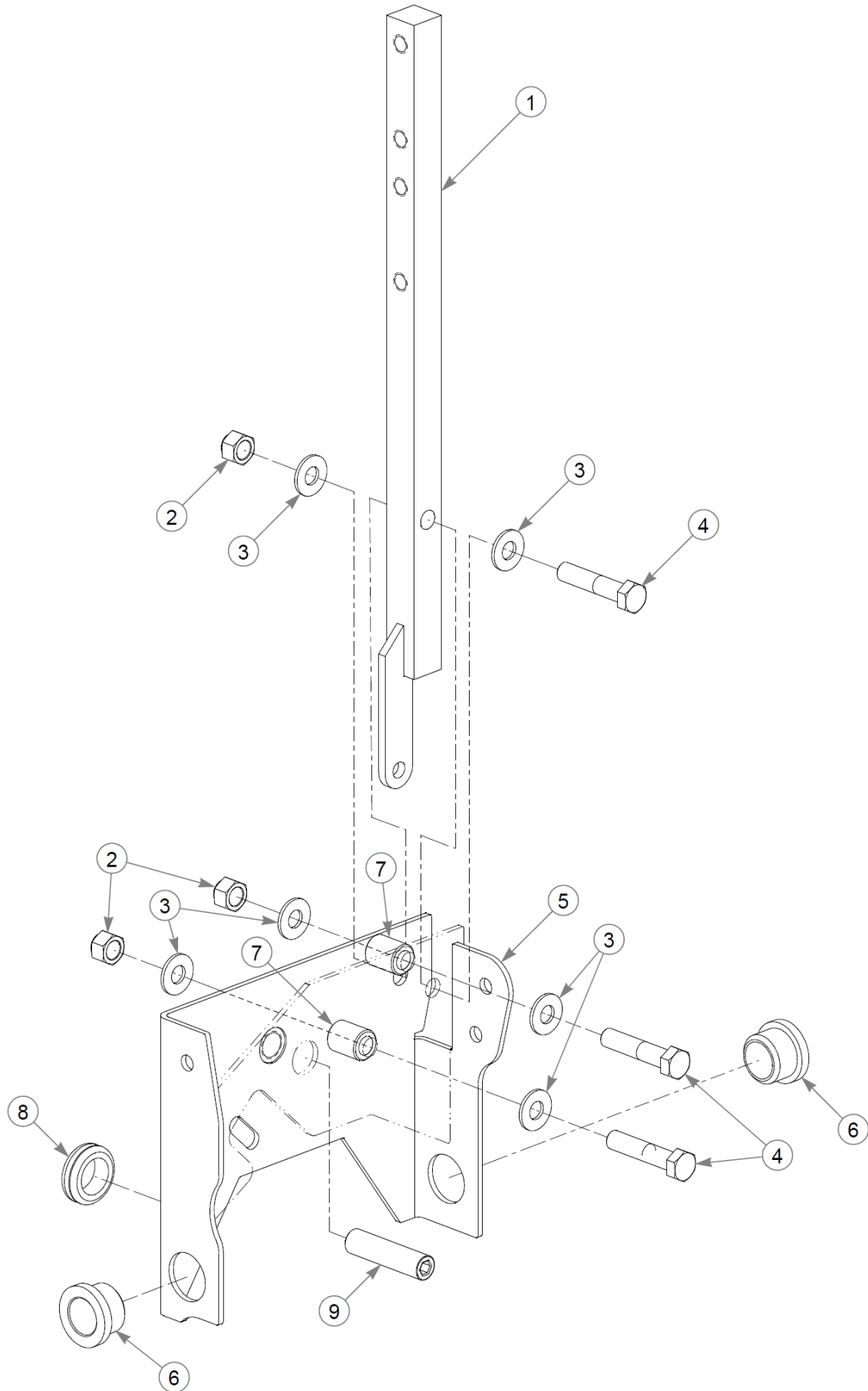


Steering Cover Assembly (Multi-Page)

Comments for Page: Steering Cover Assembly (Multi-Page)

Hustler Diesel Z Parts Manual (CE)

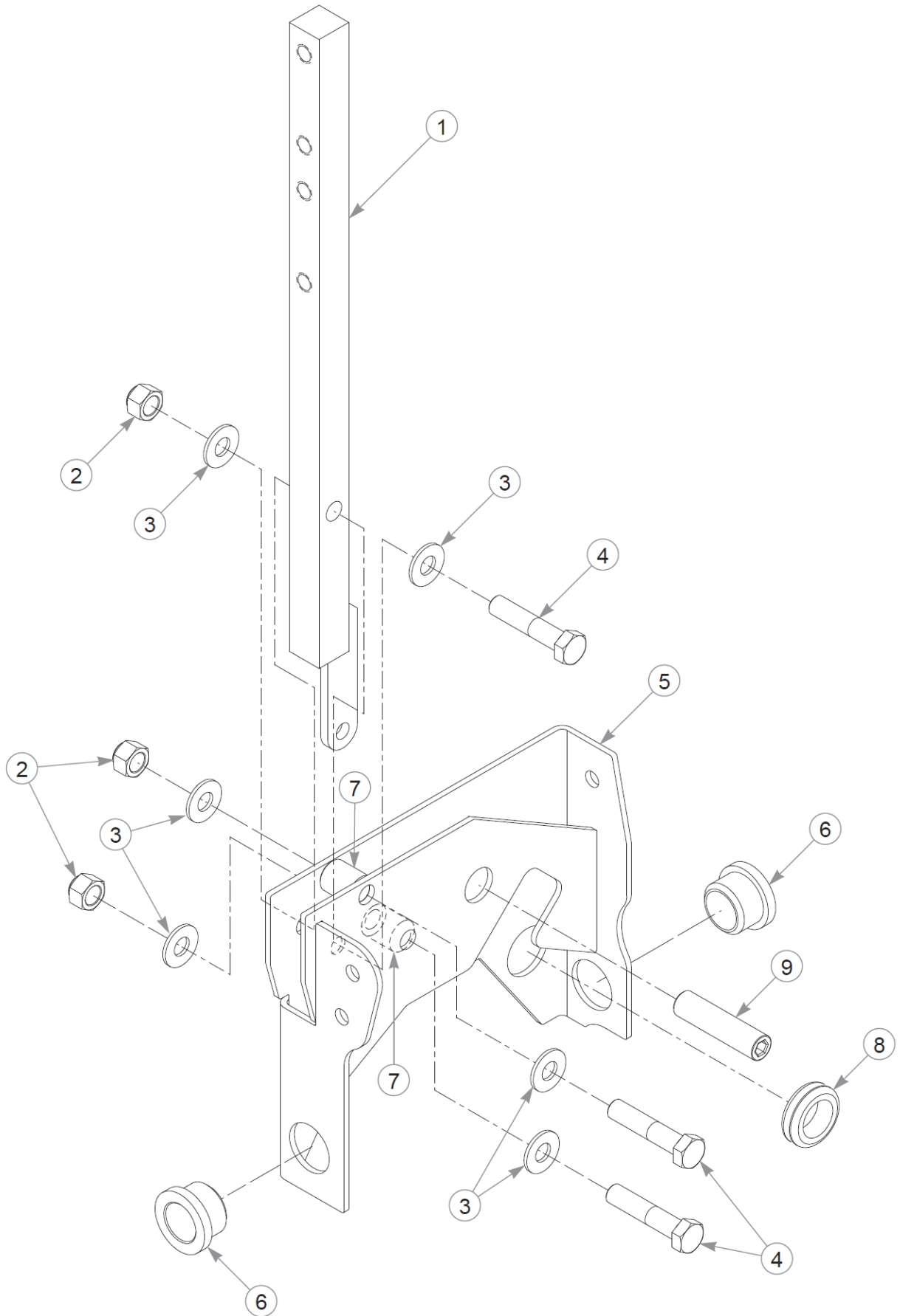
1. The steering cover includes the decal.



Elemento	Parte n.	Q.ta	Nome
1	NSS	1	STEERING ARM W/A
2	086660	3	NT .375-16NLG8
3	767954	6	FW 0.379X.82X.06 HD ZY
4	705178	3	CS .375-16X1.750HXG5
5	112898	1	STEERING BOX W/A, RH
6	781153	2	BUSHING, UHMW
7	348862	2	STEERLEVER BUSHING (PLA
8	047456	1	GM .750X.188X1.00X.12
9	797738	1	SS .500-13X2.000SH

Comments for Page: RS Steering Box Assembly Breakdown

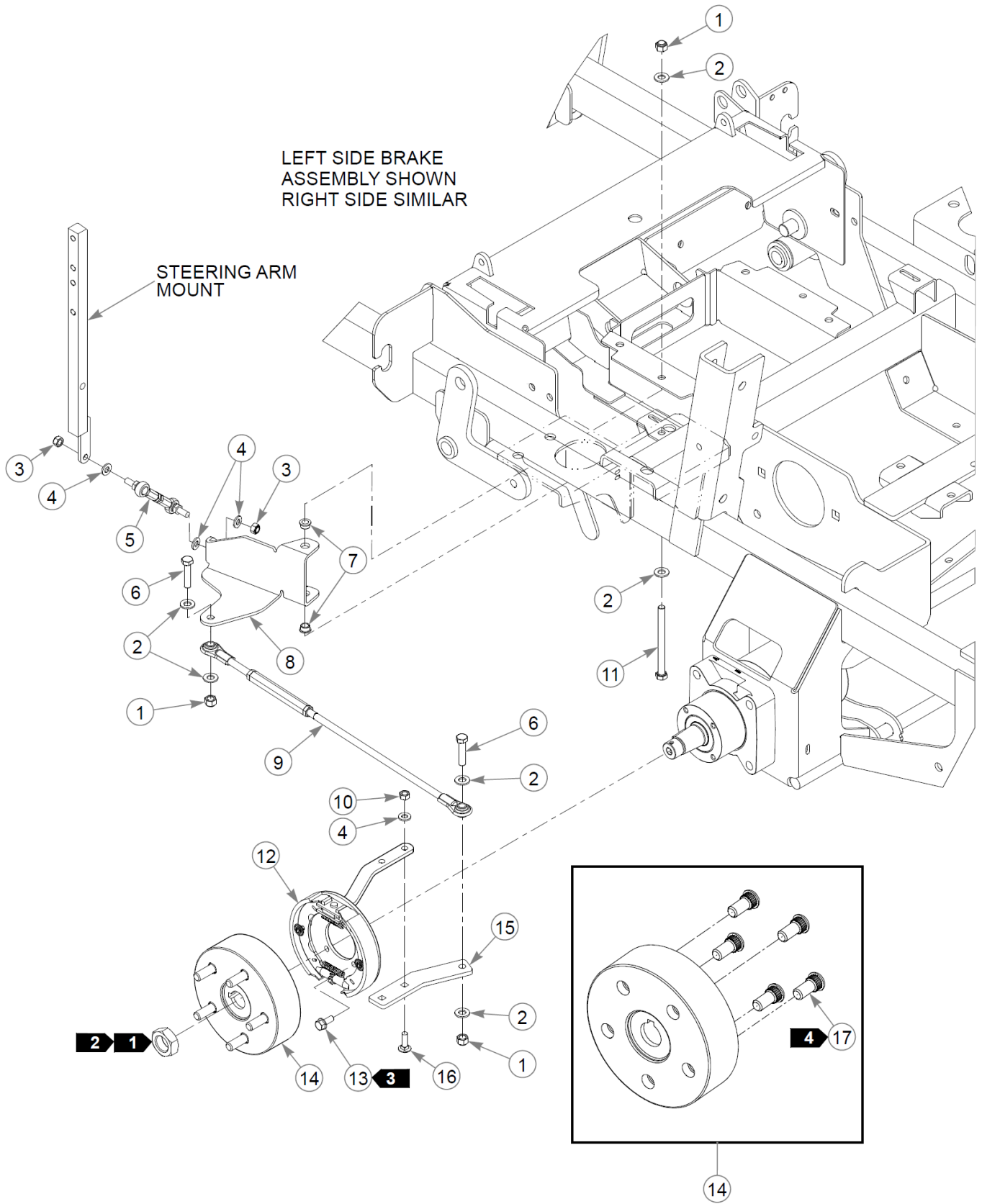
1. Torque all hardware to 33 ft-lbs \pm 10%.



Elemento	Parte n.	Q.ta	Nome
1	NSS	1	STEERING ARM W/A
2	086660	3	NT .375-16NLG8
3	767954	6	FW 0.379X.82X.06 HD ZY
4	705178	3	CS .375-16X1.750HXG5
5	112899	1	STEERING BOX W/A LH
6	781153	2	BUSHING, UHMW
7	348862	2	STEERLEVER BUSHING (PLA
8	047456	1	GM .750X.188X1.00X.12
9	797738	1	SS .500-13X2.000SH

Comments for Page: LS Steering Box Assembly Breakdown

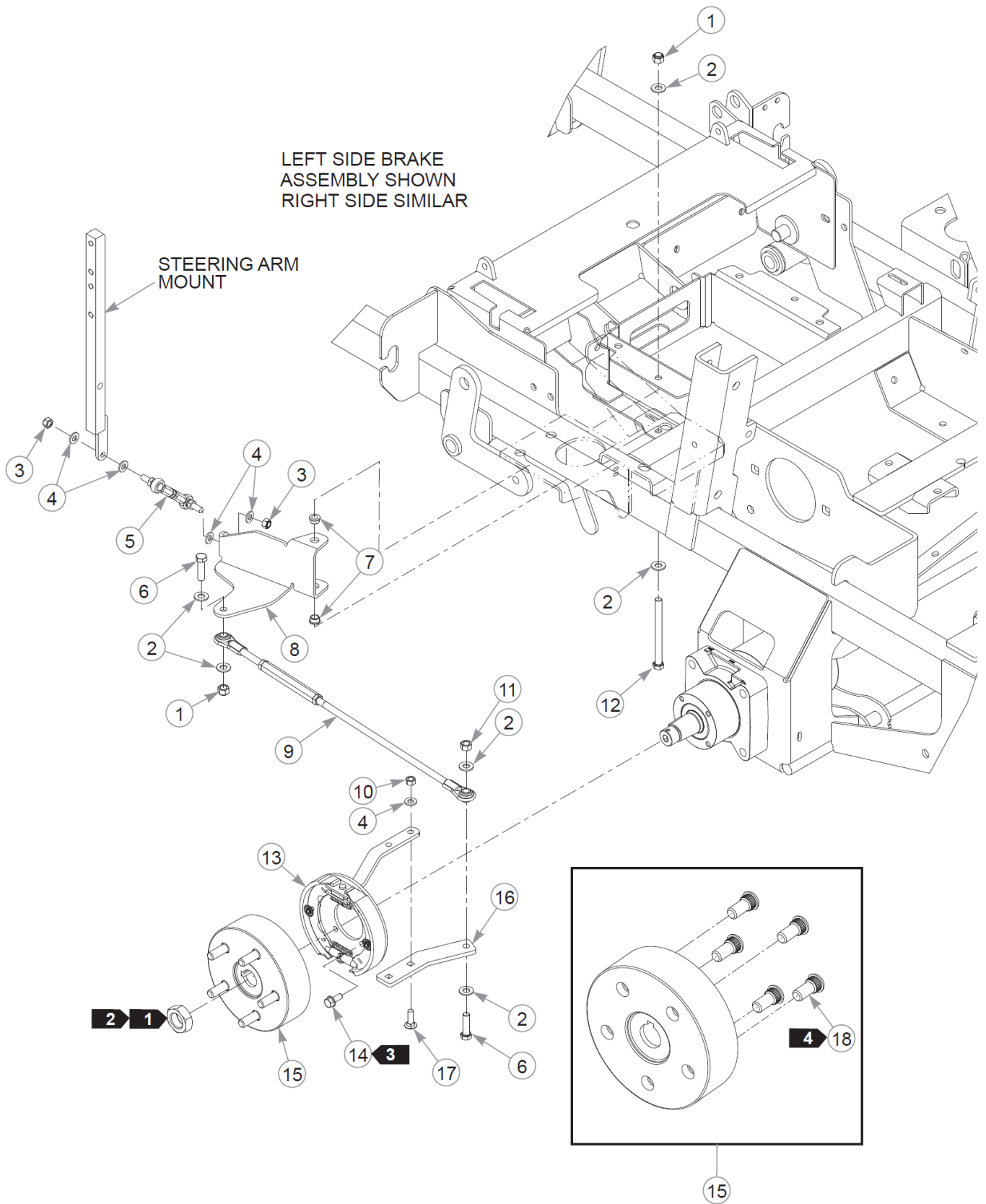
1. Torque all hardware to 33 ft-lbs ± 10%.



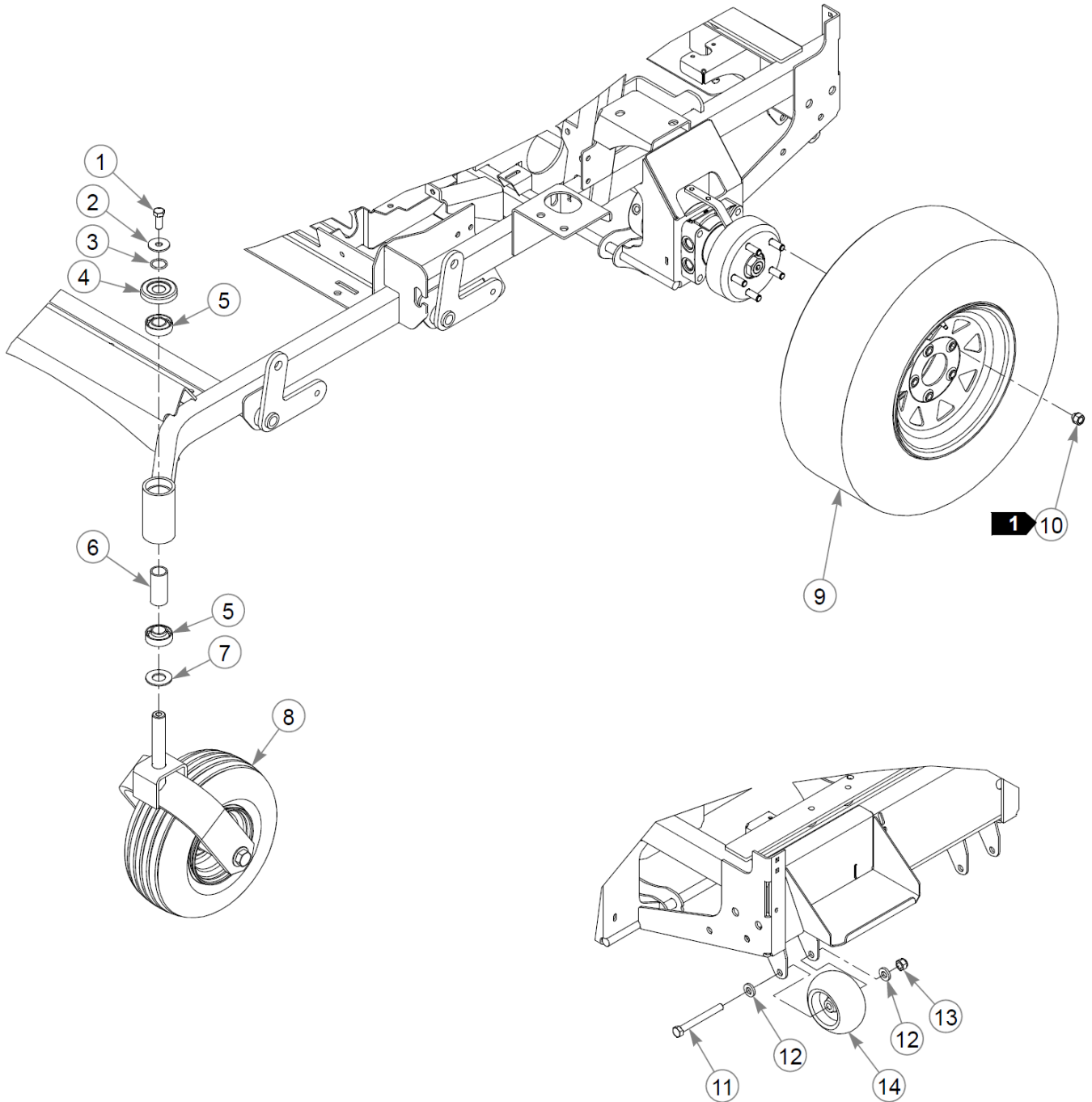
Elemento	Parte n.	Q.ta	Nome
1	086660	6	NT .375-16NLG8
2	767954	12	FW 0.379X.82X.06 HD ZY
3	023655	4	NT 0.312-24 NL G8
4	768523	10	FW 0.343SAE
5	781583	2	BRAKE ROD ASSEMBLY
6	080655	4	CS .375-16X1.500HXG5
7	765339	4	BUSHING,IGUS#0608 (FS)
8	115123	1	BRAKE BELLCRANK, LS HDZ
Not Shown	115124	1	BRAKE BELLCRANK, RS HDZ
9	603673	2	BRAKE TURNBUCKLE ASSY
10	034272	4	NT .312-18HXG5
11	052514	2	CS .375-16X4.500HXG5
12	602383	2	BRAKE ASSY, PARKER
13	604461	8	CS .312-18X.75HXG8 FLK
14	602384	2	HUB ASSY, PARKER
15	111309	2	BRAKE ARM,Z4
16	037887	4	CB .312-18X .750 FUL ZN
17	606124	5	STUD 1/2-20 X 1 1/2"
Not Shown	601085	5	STUD, WHEEL LUG 1/2-20

Comments for Page: Brake - S/N 18031622 & Higher

1. Included with the wheel motor.2. Torque to 298–325 N•m.3. Torque to 37 N•m.4. The hub assembly includes the studs. 606124 wheel studs are used on mowers S/N higher than 12031739.601085 wheel studs are used on mowers S/N prior to 12031739.



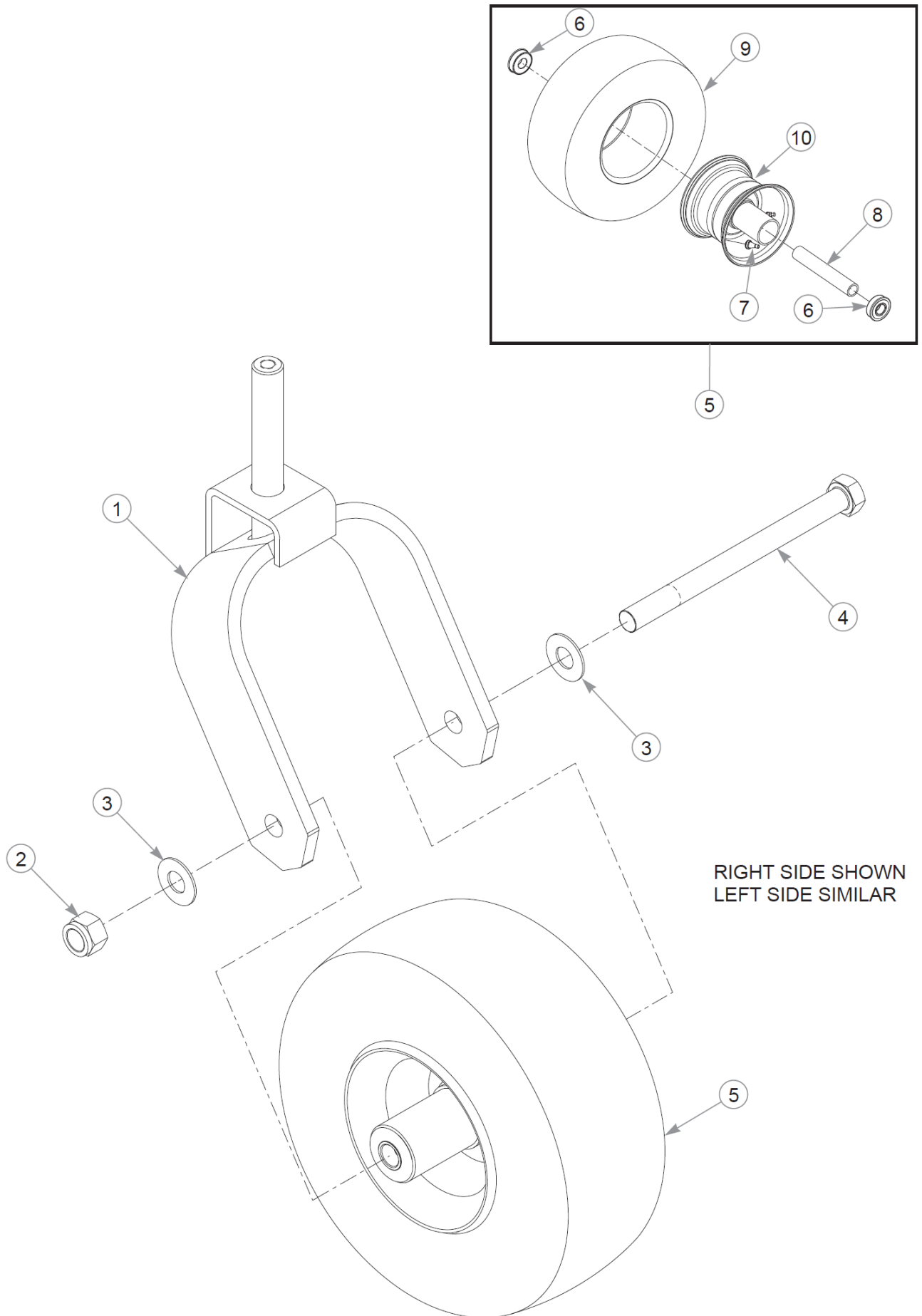
Elemento	Parte n.	Q.ta	Nome
1	086660	4	NT .375-16NLG8
2	767954	12	FW 0.379X.82X.06 HD ZY
3	023655	4	NT 0.312-24 NL G8
4	768523	12	FW 0.343SAE
5	781583	2	BRAKE ROD ASSEMBLY
6	005116	4	CS .375-16X1.38 HX G5 ZY
7	765339	4	BUSHING,IGUS#0608 (FS)
8	115123	1	BRAKE BELLCRANK, LS HDZ
Not Shown	115124	1	BRAKE BELLCRANK, RS HDZ
9	603673	2	BRAKE TURNBUCKLE ASSY
10	034272	4	NT .312-18HXG5
11	054502	2	NT .375-16HXG5
12	052514	2	CS .375-16X4.500HXG5
13	602383	2	BRAKE ASSY, PARKER
14	604461	8	CS .312-18X.75HXG8 FLK
15	602384	2	HUB ASSY, PARKER
16	111309	2	BRAKE ARM,Z4
17	037887	4	CB .312-18X .750 FUL ZN
18	606124	5	STUD 1/2-20 X 1 1/2"
Not Shown	601085	5	STUD, WHEEL LUG 1/2-20



Elemento	Parte n.	Q.ta	Nome
1	705954	2	CS .500-13X1.25 HX G5 ZY
2	798603	2	FW .515X1.65X.12 HD ZY
3	601375	2	O-RING, SAE-14
4	603153	2	DUST CAP, SZ CASTER
5	784223	4	BEARING
6	387035	2	SPACER, 1.07x1.312x2.79
7	603164	2	BEARING DISC, FORK
8	N/A	1	FRONT WHEEL ASSEMBLY
9	782078	2	TIR/WHL 24X9.50-12 SLV
Not Shown	601238	2	TIR/WHL 24X12.00-12 SLV
Not Shown	784058	2	TIR/WHL 24X12.00-12 SLV
10	061077	10	WHEEL NUT
11	068239	2	CS .500-13X4.500HXG5
12	767962	4	FW .531 x 1.063 x .175
13	781567	2	NT .500-13NLG5
14	031997	2	ANTI-SCALP WHEEL

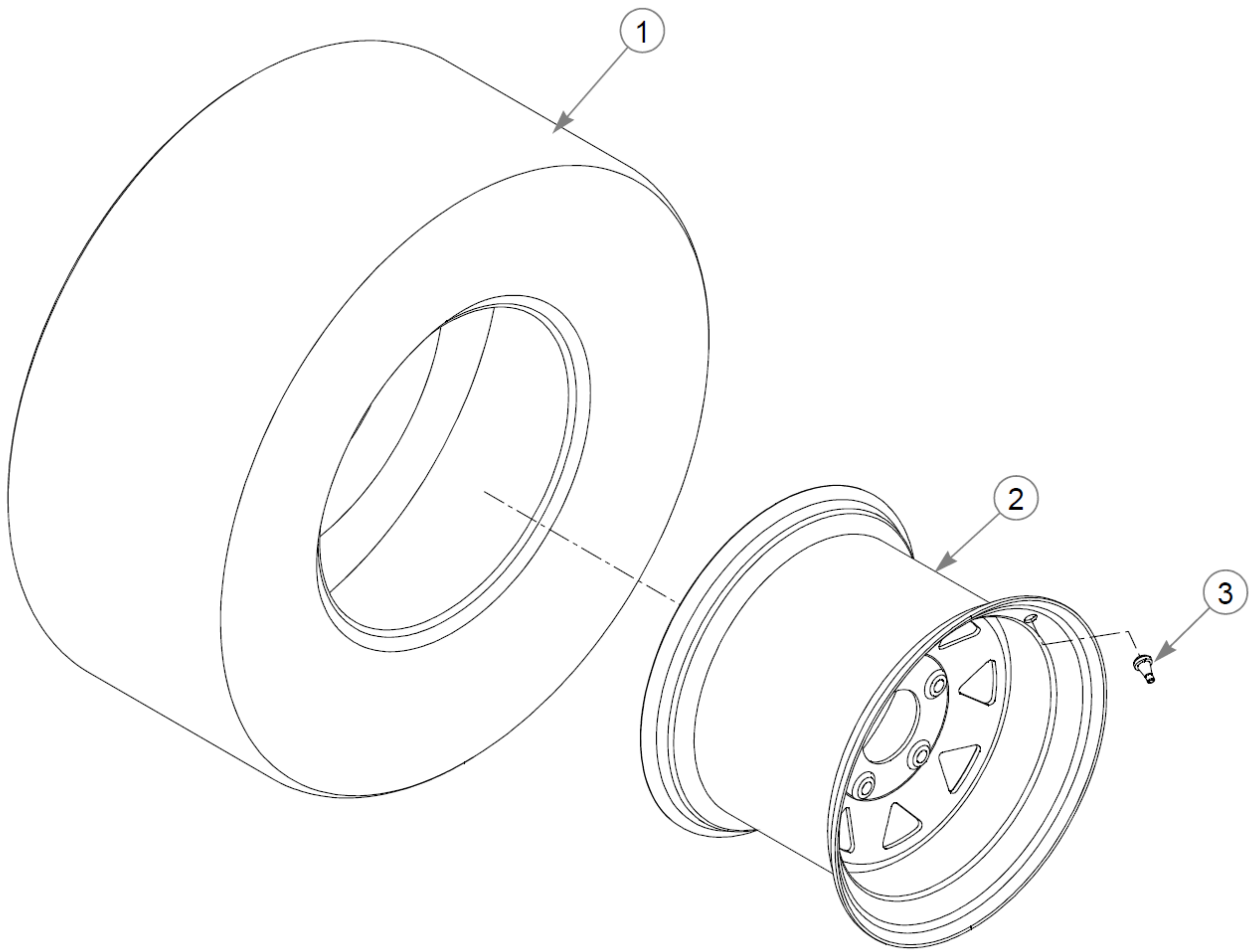
Comments for Page: Wheel & Tire

- 1. Torque to 88–102 N•m.
- 2. 782078 is used on 54" side discharge mowers.
- 601238 is used on 60" side discharge mowers.
- 784058 is used on 60" & 72" rear discharge mowers.

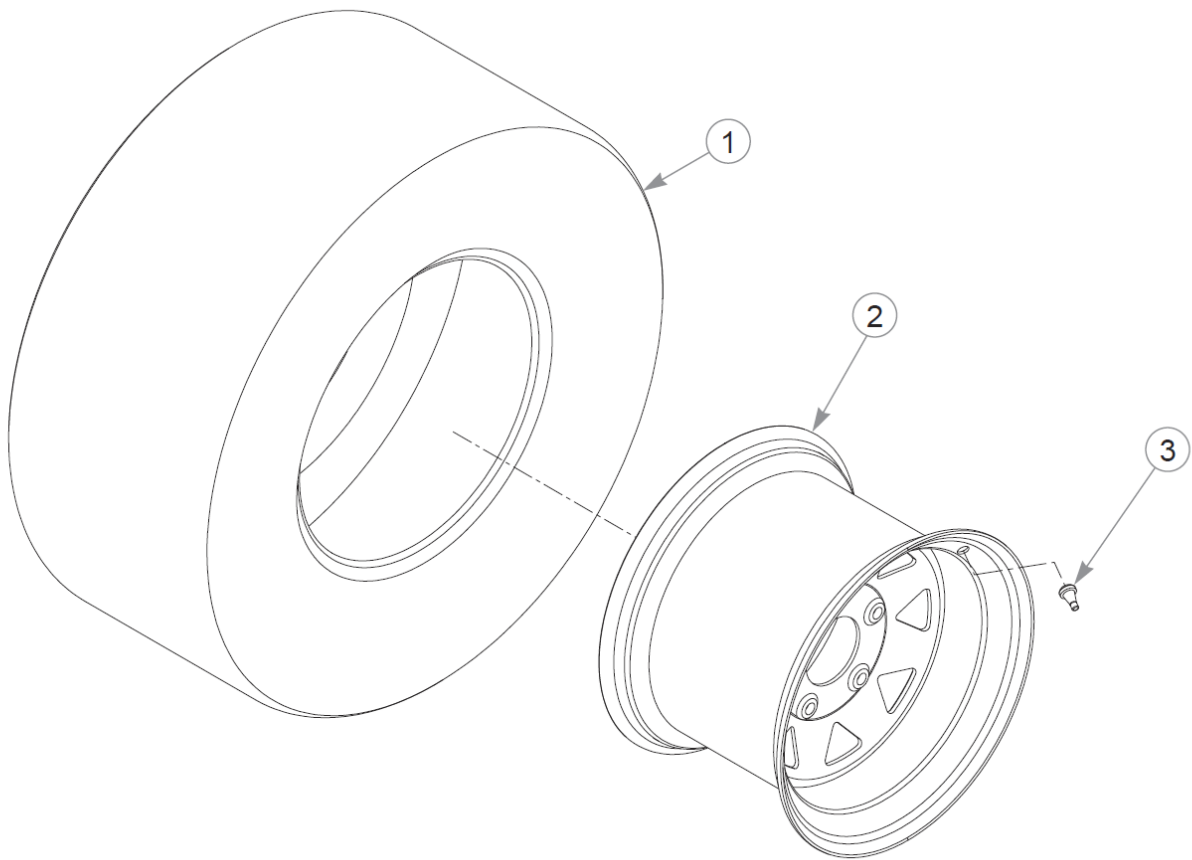


Front Wheel Assembly Breakdown

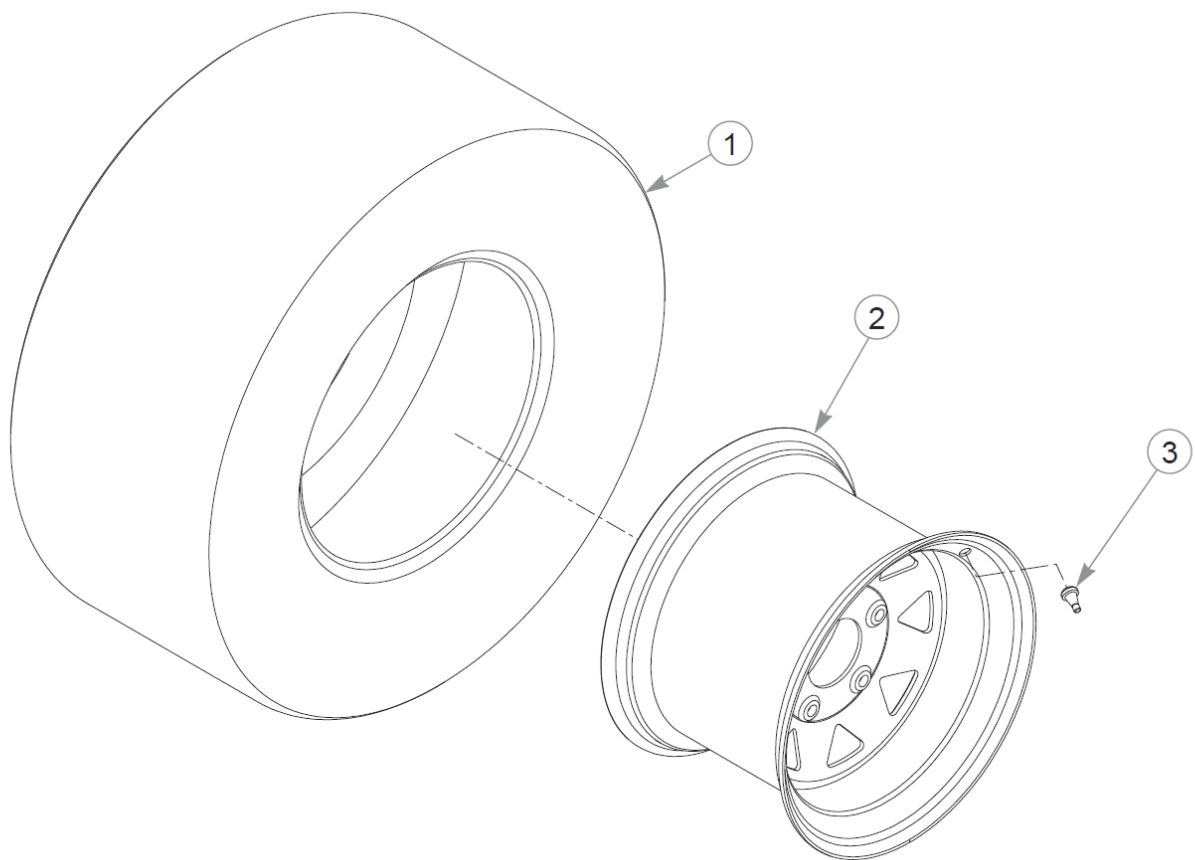
Elemento	Parte n.	Q.ta	Nome
1	116890	1	FORK W/A, HEAVY DUTY
Not Shown	113621	1	FORK W/A, STANDARD
2	061101	1	NT .750-10 HX ZY NL GR B
3	025296	2	FW .760X1.63X0.08 ZY
4	041475	1	CS .750-10X9.50 HX G5 ZY
5	604898	1	TIR/WHL 13X6.50-6 SLV
<p>Commenti per num parte 604898</p> <p>NOTE: Grease zerk is not available for purchase from Excel. Contact your local parts supply store for replacement zerk.</p>			
6	039677	2	WHEEL BEARING
7	019521	1	TIRE VALVE TR-412 GOODY
8	782771	1	SPACER, BEARING (SERV P
9	604843	1	TIR 13X6.50-6 B4R SMTH
10	747832	1	S/C TO 606751



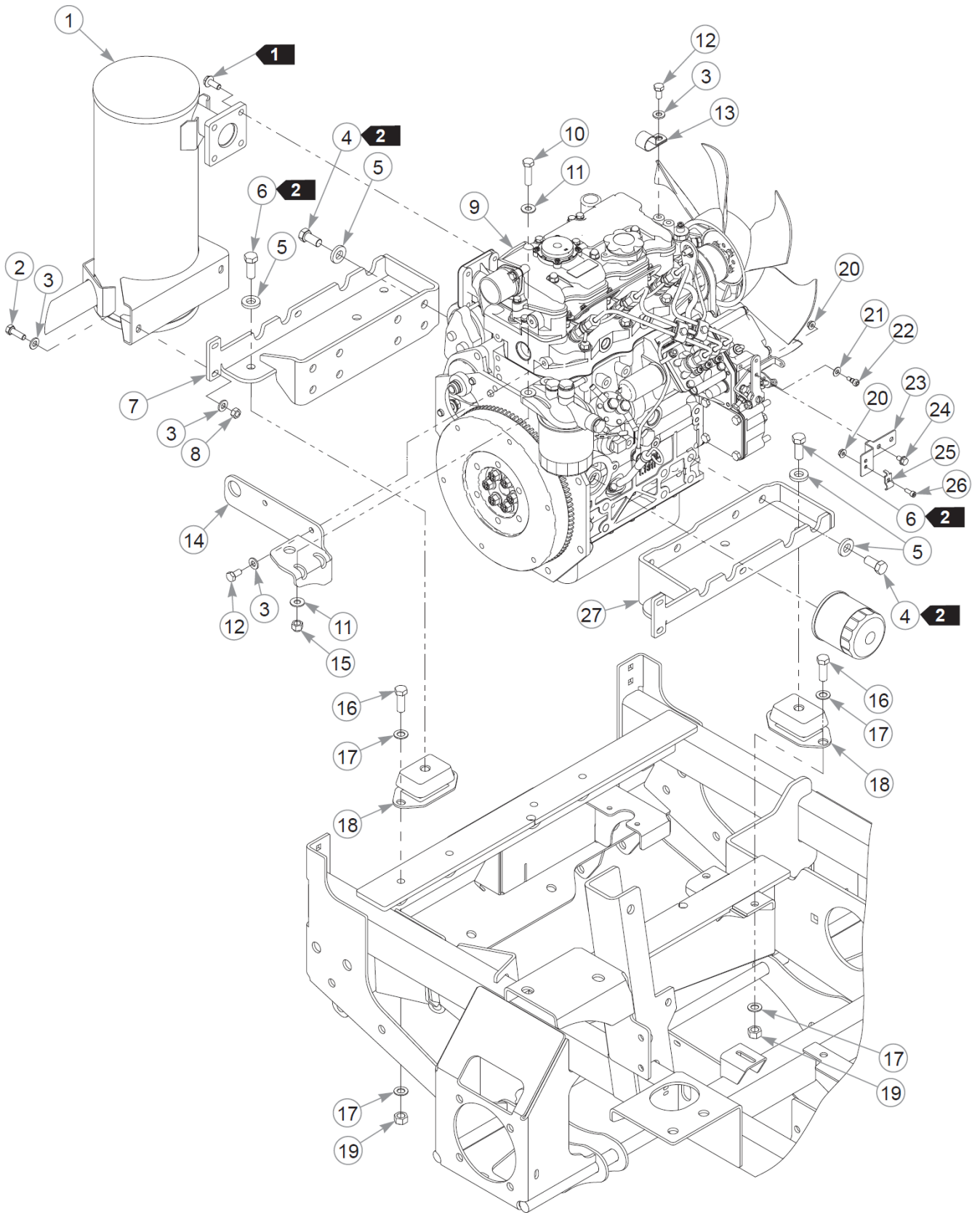
Elemento	Parte n.	Q.ta	Nome
1	782284	1	TIR 24X9.50-12 B4R LTFT
2	606821	1	WHL 12X7.00 5X4.5 SLV
3	019521	1	TIRE VALVE TR-412 GOODY



Elemento	Parte n.	Q.ta	Nome
1	781245	1	TIR 24X12.00-12 B4R LTFT
2	606820	1	WHL 12X8.50 5X4.5 SLV
3	019521	1	TIRE VALVE TR-412 GOODY



Elemento	Parte n.	Q.ta	Nome
1	781245	1	TIR 24X12.00-12 B4R LTFT
2	606819	1	WHL 12X8.50 5X4.5 SLV
3	019521	1	TIRE VALVE TR-412 GOODY

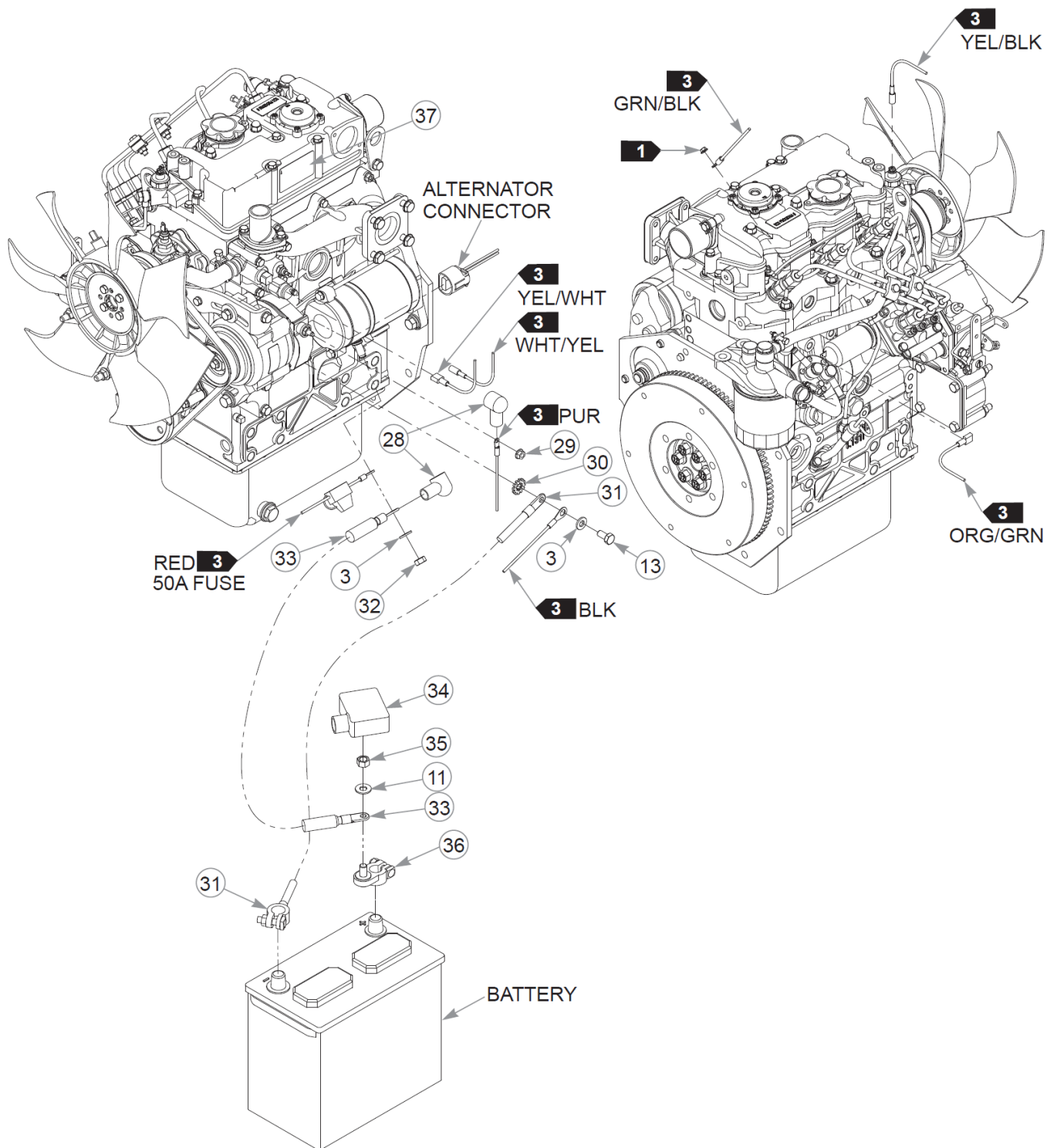


Elemento	Parte n.	Q.ta	Nome
1	601361	1	MUFFLER, ISM S773L HDZ
2	036236	2	CS .312-18X1.250HXG5
3	768523	10	FW 0.343SAE
4	601428	16	CS M12-1.25 X 25 ZN
5	767962	20	FW .531 x 1.063 x .175
6	602196	4	CS M12-1.75 x 30 G8.8 ZN
7	111045	1	MOTOR MOUNT W/A, REAR
8	034272	2	NT .312-18HXG5
9	601355	1	ENG, S773L DSL ISM138681

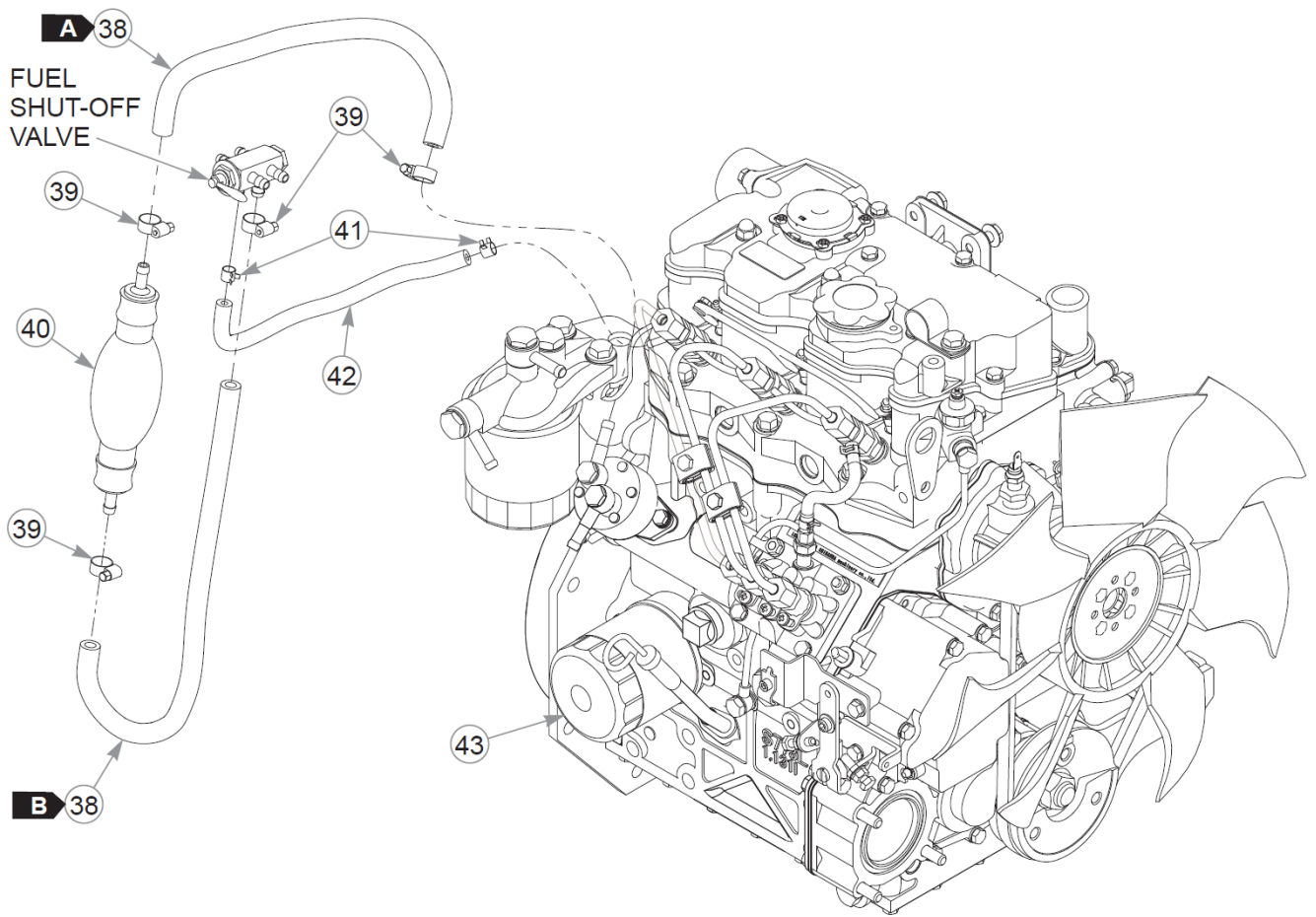
Commenti per num parte 601355

For engine parts search S773L and select engine parts manual.

10	005116	2	CS .375-16X1.38 HX G5 ZY
11	767954	5	FW 0.379X.82X.06 HD ZY
12	053678	5	CS M8-1.25X16HXG8.8
13	043570	1	CLIP - HOSE - SINGLE(FS)
14	109358	1	BRACKET, FUEL FITLER W/A
15	086660	2	NT .375-16NLG8
16	773242	8	CS .437-14X1.250HXG5
17	704742	16	FW 0.453X.81X.06 ZY
18	601958	4	ISO MOUNT, HD STABLE
19	041707	8	NT .437-14HXG5
20	016774	2	NT #10-24 HXFLK ZN
21	017079	1	FW .250SAE
22	601493	1	SB .250Dx.250L 10-24 ZN
23	109419	1	THROTTLE BRKT,ISM ENGINE
24	739144	2	CS M6-1.00X12HXG10.9
25	011841	1	CONDUIT CLIP
26	794495	1	CS 10-24 X .500 SKTHD Z
27	125280-3	1	ENGINE MOUNT, FRONT PNT
28	601319	2	POS. BATTERY CABLE BOOT
29	005231	1	NT M6-1.00FLG
30	029876	1	LW .312 INTEXT ZY
31	601540	1	CABLE, NEG 12" POST/STUD
32	045336	1	NT M8X1.25 HX GR8.8 ZNY
33	601539	1	CABLE, POS 9"
34	601381	1	BOOT, POSITIVE BATTERY
35	054502	1	NT .375-16HXG5
36	601380	1	POST, POS BAT MARINE



Elemento	Parte n.	Q.ta	Nome
37	606453	1	DECAL, CAUTION
38	791400	76cm	FUEL LINE, 5/16"
39	601693	4	HOSE CLAMP, 1/4" - 5/8"
40	601378	1	FUEL PRIMER BULB, 5/16"
41	603112	2	CLAMP, 3/16 FUEL
42	603326	33cm	VAPOR LINE, 3/16"
<p>Commenti per num parte 603326</p> <p>Sold by the foot.</p>			
43	140517020	1	OIL FILTER (ENGINE OIL FILTER)



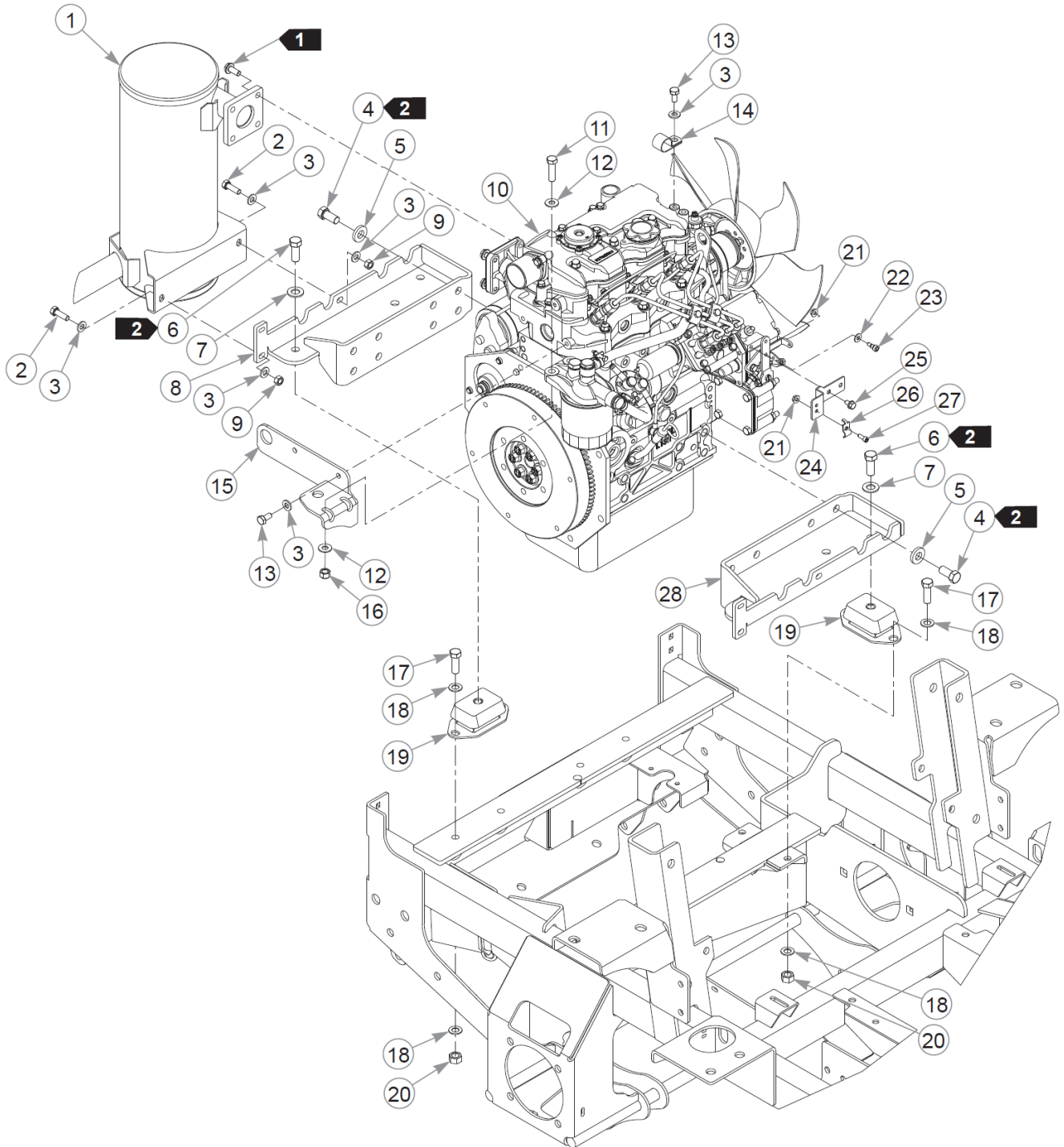
Comments for Page: Engine, Oil Filter, Fuel Filter & Muffler - S/N 19060988 & Higher (Multi-Page)

FUEL LINE LENGTHS

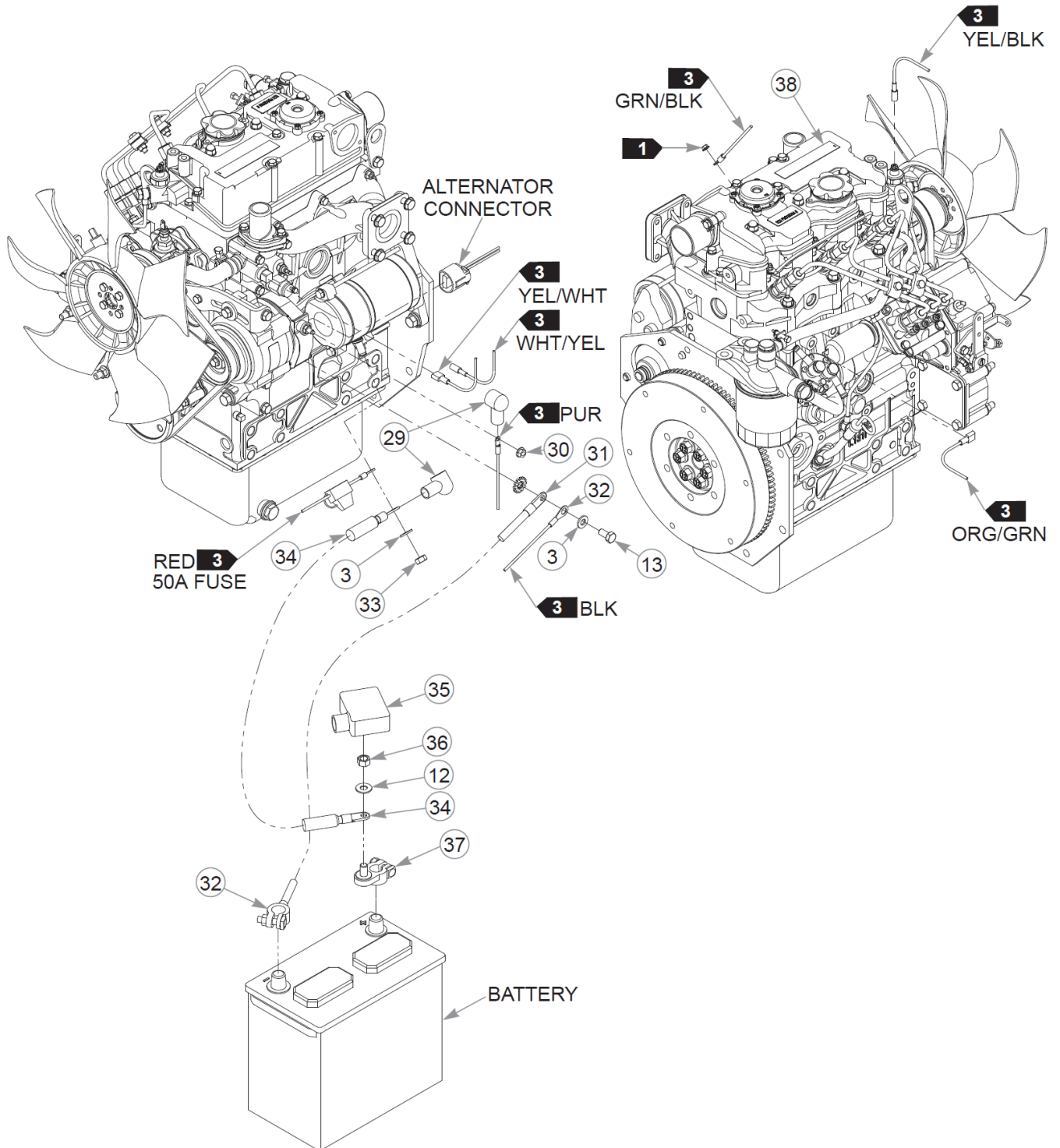
A: 30cm SELECTOR VALVE TO PRIMER BULB

B: 46cm PRIMER BULB TO FUEL PUMP

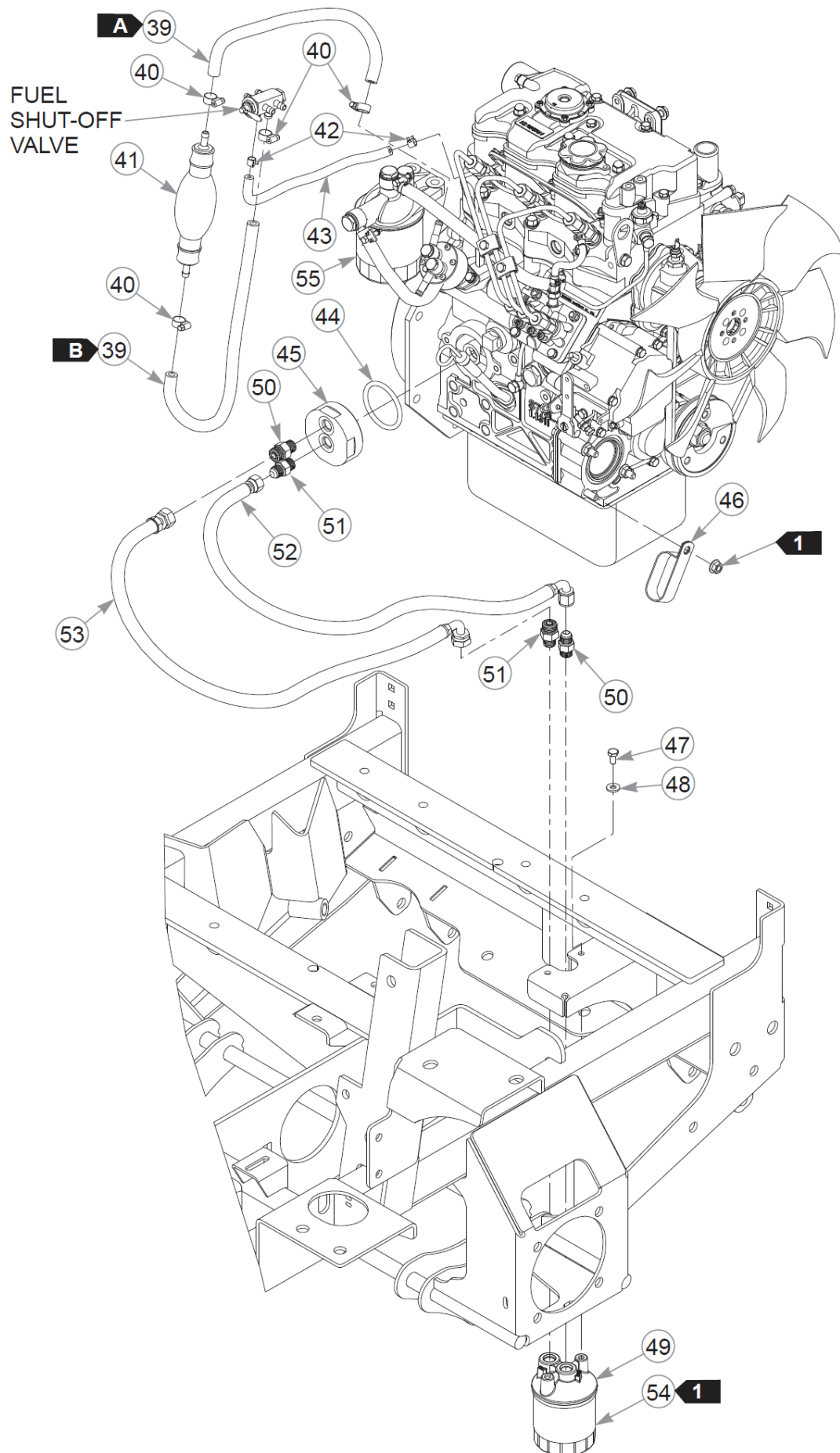
1. Supplied with the engine.
2. Torque to 87 N•m.
3. Part of the wire harness.
4. For additional engine service parts, see 101741 Shibaura S773L engine parts manual.



Elemento	Parte n.	Q.ta	Nome
1	601361	1	MUFFLER, ISM S773L HDZ
2	036236	2	CS .312-18X1.250HXG5
3	768523	9	FW 0.343SAE
4	601428	16	CS M12-1.25 X 25 ZN
5	767962	16	FW .531 x 1.063 x .175
6	602196	4	CS M12-1.75 x 30 G8.8 ZN
7	004168	4	FW .531x1.00x.090 ZY
8	111045	1	MOTOR MOUNT W/A, REAR
9	034272	2	NT .312-18HXG5
10	601355	1	ENG, S773L DSL ISM138681
<p>Commenti per num parte 601355</p> <p>For engine parts search S773L and select engine parts manual.</p>			
11	005116	2	CS .375-16X1.38 HX G5 ZY
12	767954	5	FW 0.379X.82X.06 HD ZY
13	053678	5	CS M8-1.25X16HXG8.8
14	043570	1	CLIP - HOSE - SINGLE(FS)
15	109358	1	BRACKET, FUEL FITLER W/A
16	086660	2	NT .375-16NLG8
17	773242	8	CS .437-14X1.250HXG5
18	704742	16	FW 0.453X.81X.06 ZY
19	601958	4	ISO MOUNT, HD STABLE
20	041707	8	NT .437-14HXG5
21	016774	2	NT #10-24 HXFLK ZN
22	017079	1	FW .250SAE
23	601493	1	SB .250Dx.250L 10-24 ZN
24	109419	1	THROTTLE BRKT,ISM ENGINE
25	739144	2	CS M6-1.00X12HXG10.9
26	011841	1	CONDUIT CLIP
27	794495	1	CS 10-24 X .500 SKTHD Z
28	111046	1	MOTOR MOUNT W/A, FRONT
29	601319	2	POS. BATTERY CABLE BOOT
30	005231	1	NT M6-1.00FLG
31	029876	1	LW .312 INTEXT ZY
32	601540	1	CABLE, NEG 12" POST/STUD
33	045336	1	NT M8X1.25 HX GR8.8 ZNY
34	601539	1	CABLE, POS 9"
35	601381	1	BOOT, POSITIVE BATTERY
36	054502	1	NT .375-16HXG5



Elemento	Parte n.	Q.ta	Nome
37	601380	1	POST, POS BAT MARINE
38	606453	1	DECAL, CAUTION
39	791400	76cm	FUEL LINE, 5/16"
40	601693	4	HOSE CLAMP, 1/4" - 5/8"
41	601378	1	FUEL PRIMER BULB, 5/16"
42	603112	2	CLAMP, 3/16 FUEL
Not Shown	041483	2	HOSE CLAMP, 7/16 SPRING
43	603326	33cm	VAPOR LINE, 3/16"
Commenti per num parte 603326			
Sold by the foot.			
Not Shown	038398	33cm	FUEL LINE, 3/16"
44	601567	1	O-RING, HDZ REMOTE OIL
45	601526	1	ADAPTER, REMOTE OIL
46	045088	1	HOSE CLAMP 1" (FS)
47	055947	2	CS .250-20X0.50 HX G5 ZY
48	768515	2	FW 0.281SAE
49	601487	1	FILTER HEAD, HDZ
50	792150	2	FTG, STR-6MORB/-6MS
51	779132	2	FTG, -6MORB/-6MJIC STR
52	601546	1	HOSE, OIL FILTER RELOC
53	601547	1	HOSE, OIL FILTER RELOC
54	140517020	1	OIL FILTER (ENGINE OIL FILTER)
55	130366120	1	FUEL FILTER, SPIN ON



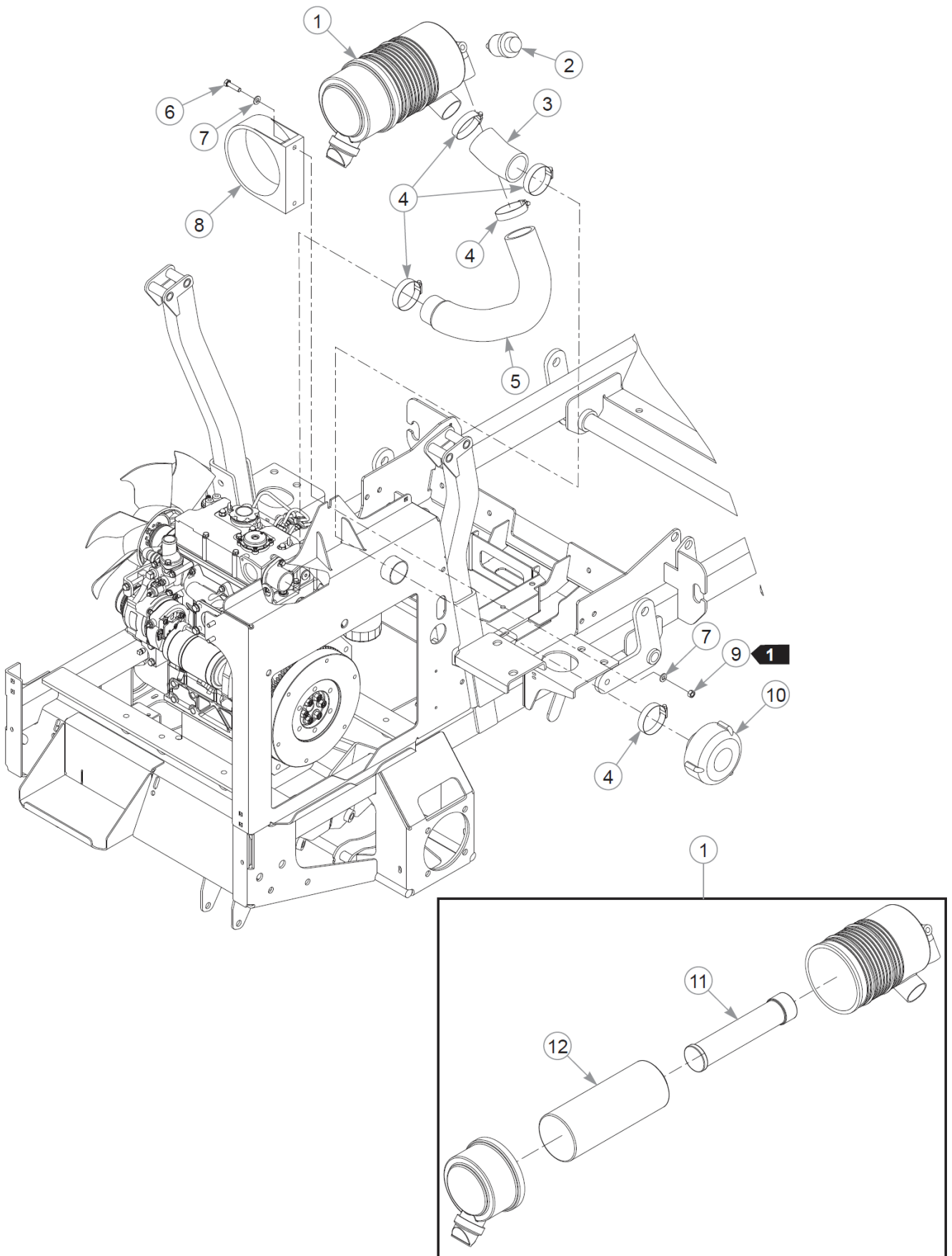
Comments for Page: Engine, Oil Filter, Fuel Filter & Muffler - S/N Prior to 19060988 (Multi-Page)

FUEL LINE LENGTHS

A: 30cm SELECTOR VALVE TO PRIMER BULB

B: 46cm PRIMER BULB TO FUEL PUMP

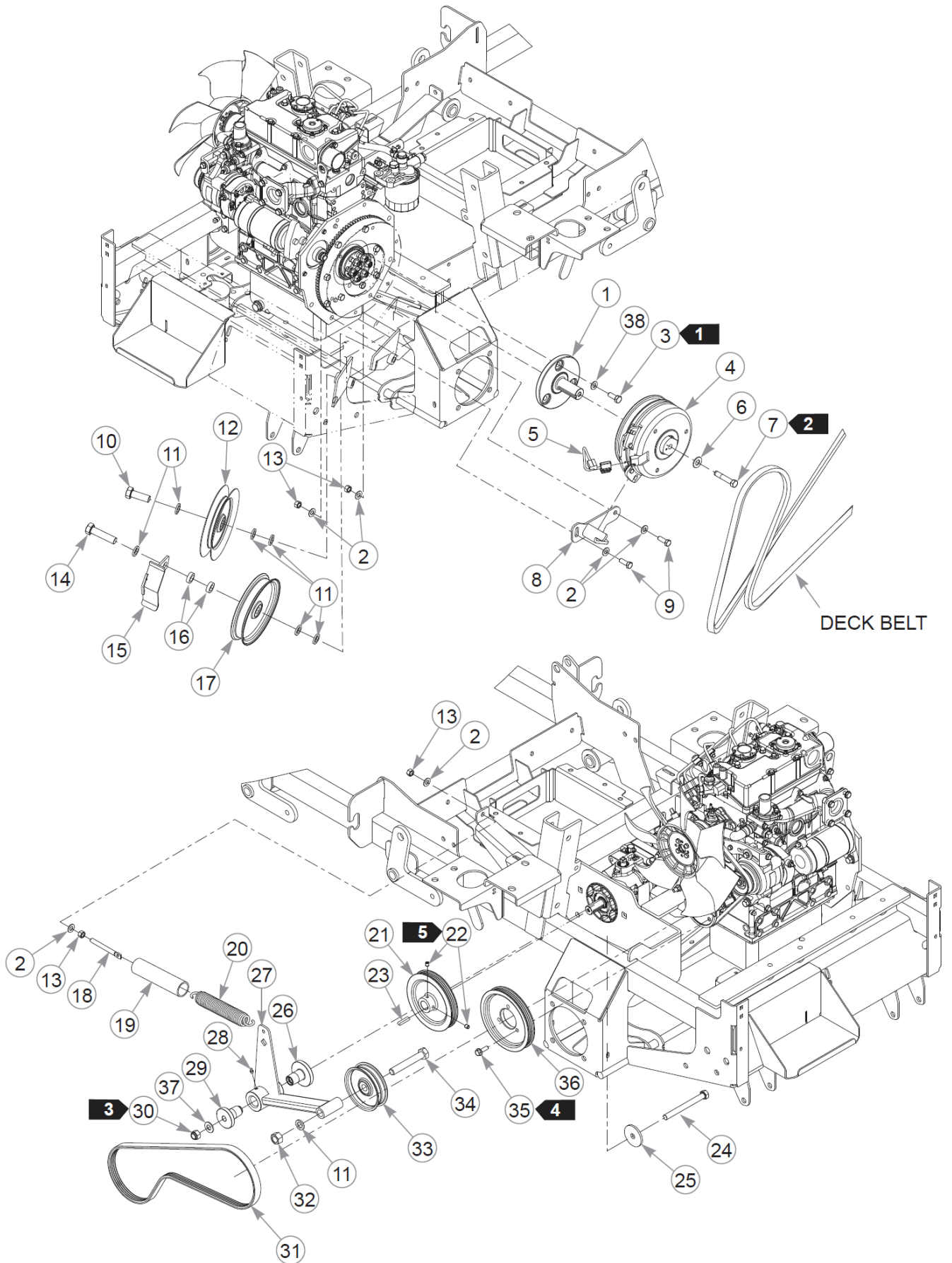
1. Supplied with the engine.
2. Torque to 87 N•m.
3. Part of the wire harness.
4. For additional engine service parts, see 101741 Shibaura S773L engine parts manual.
5. 603112 & 603326 are used on mowers S/N 13101779 & higher.
6. 041483 & 038398 are used on mowers S/N prior to 13101779.



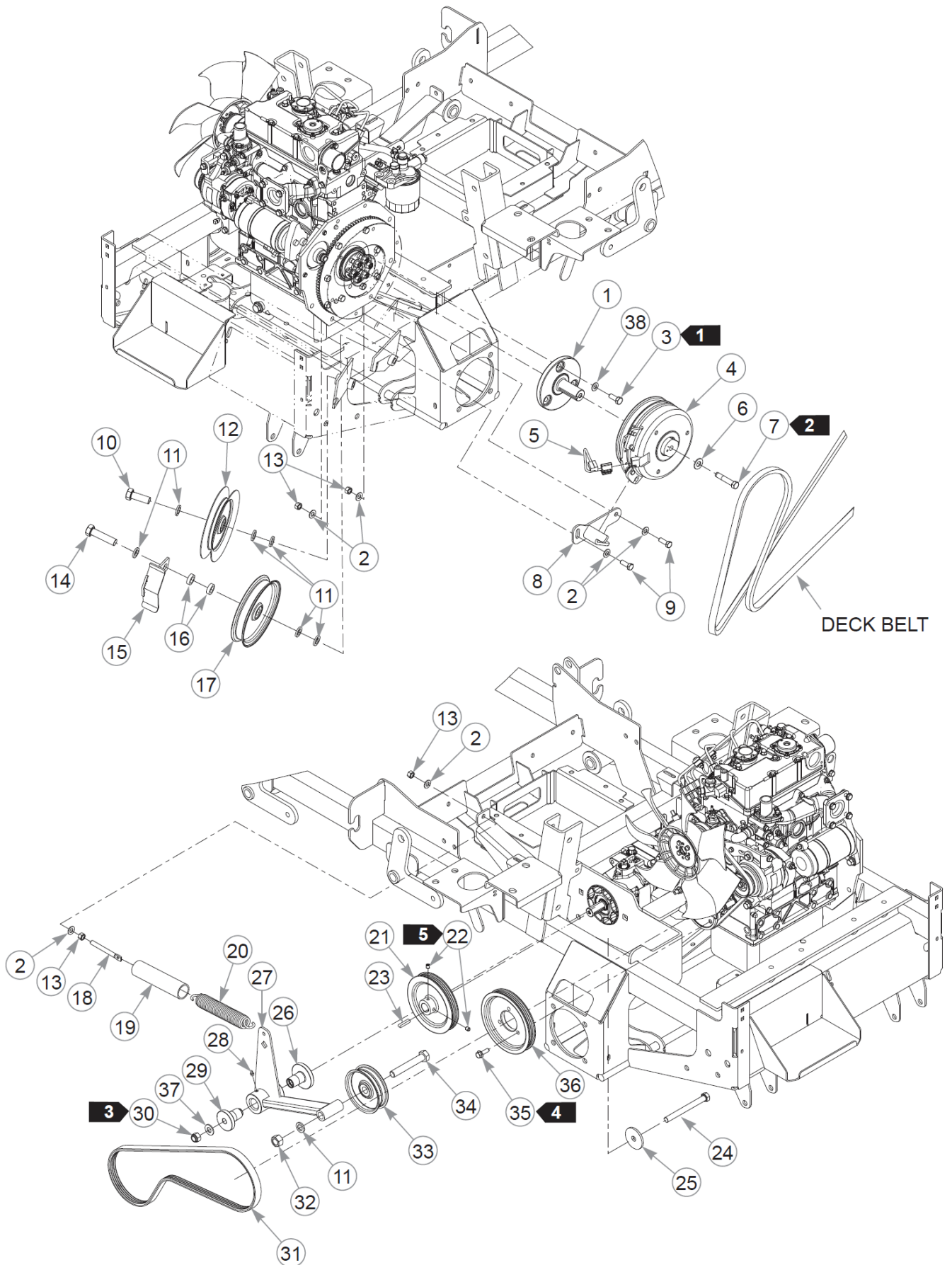
Elemento	Parte n.	Q.ta	Nome
1	782763	1	AIR CLEANER, DONALDSON
Not Shown	600910	1	COVER END, W/ LATCHES
2	795138	1	AIR FILTER INDICATOR,25
3	601359	1	HOSE, FRESH AIR INTK HDZ
4	057661	5	HOSE CLAMP (FS)
5	601360	1	HOSE, INTAKE HDZ
6	079186	2	CS .312-18X1.250HXG5
7	768523	4	FW 0.343SAE
8	785741	1	BAND, AIR CLEANER MOUNT
9	034272	2	NT .312-18HXG5
10	775353	1	ENGINE CENTRIFICAL PREC
11	785279	1	AIR FILTER - SAFETY
12	785261	1	AIR FILTER - MAIN

Comments for Page: Air Cleaner

1. Torque to 16 N•m.



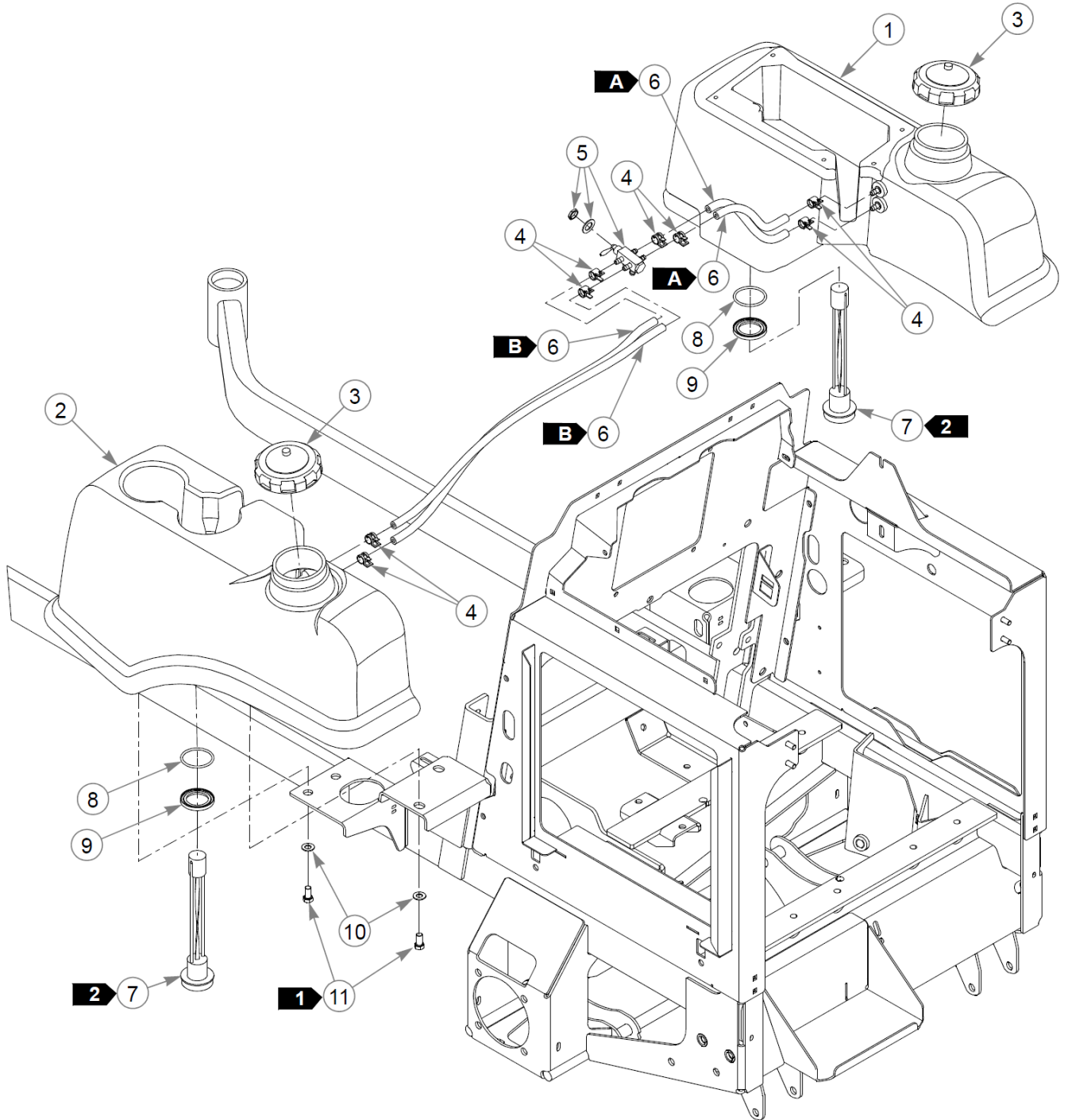
Elemento	Parte n.	Q.ta	Nome
1	601279	1	STUB SHAFT, ISM 773
2	767954	6	FW 0.379X.82X.06 HD ZY
3	038836	3	CS M10-1.50X25 HX ZN
4	601278K	1	CLUTCH KIT
5	791251	1	HARNESS, CLUTCH PIGTAIL
<p>Commenti per num parte 791251</p> <p>Pigtail was updated with epoxy to hold the wires steady. The wire sheath was also updated to a more flexible material.</p>			
6	602680	1	FW .453X1.12X.12 HRD ZY
7	778217	1	CS .437-20X2.250 HXG5P85
8	109725	1	CLUTCH ANCHOR W/A
9	036244	2	CS .375-16X1.00 HX G5 ZY
10	025007	1	CS .62511X1.750HXG5
11	028118	7	FW 0.625X1.00X.13 ZY
12	796714	1	PULLEY, 6" HB IDLER RD
13	054502	4	NT .375-16HXG5
14	025015	1	CS .625-11X2.500HXG5
15	113088	1	BELT GUIDE, W/A
16	600296	2	SPACER, DECK IDLER
17	781385	1	PULLEY, IDLER NHI 6.00"
18	601486	1	EB, .375-16X3.00 FULTHD
19	601722	1	TUBE, 1.500 X .12W CLR
20	601016	1	IDLER SPRING
21	601422	1	PULLEY, 5.625" MICRO V
22	600122	2	SS .312-18 X .312 SH BO
23	601713	1	KEY, 1/4 X 1.375 LONG
24	051151	1	CS .500-13X5.000HXG5
25	344267	1	FW .510X2.15X.19 ZY
26	602880	1	BUSHING, IDLER PIVOT
27	115117	1	IDLER ARM, W/A
28	015495	1	GREASE FITTING STRAIGHT
29	602879	1	BUSHING, IDLER PIVOT
30	781567	1	NT .500-13NLG5
31	601424	1	BELT, 4 RIB "PVL" (DRIVE BELT)
32	016972	1	NT .625-11 HX G5 ZNYC
33	601488	1	PULLEY, 4" FLAT IDLER
34	047712	1	CS .625-11X4.000HXG5
35	720177	3	CS M8-1.25X20FLG10.9
36	601423	1	PULLEY, 6.0" MICRO V



Elemento	Parte n.	Q.ta	Nome
37	767962	1	FW .531 x 1.063 x .175
38	712919	3	FW 0.406X1.00X.12 HD ZY

Comments for Page: Clutch & Drive Belt

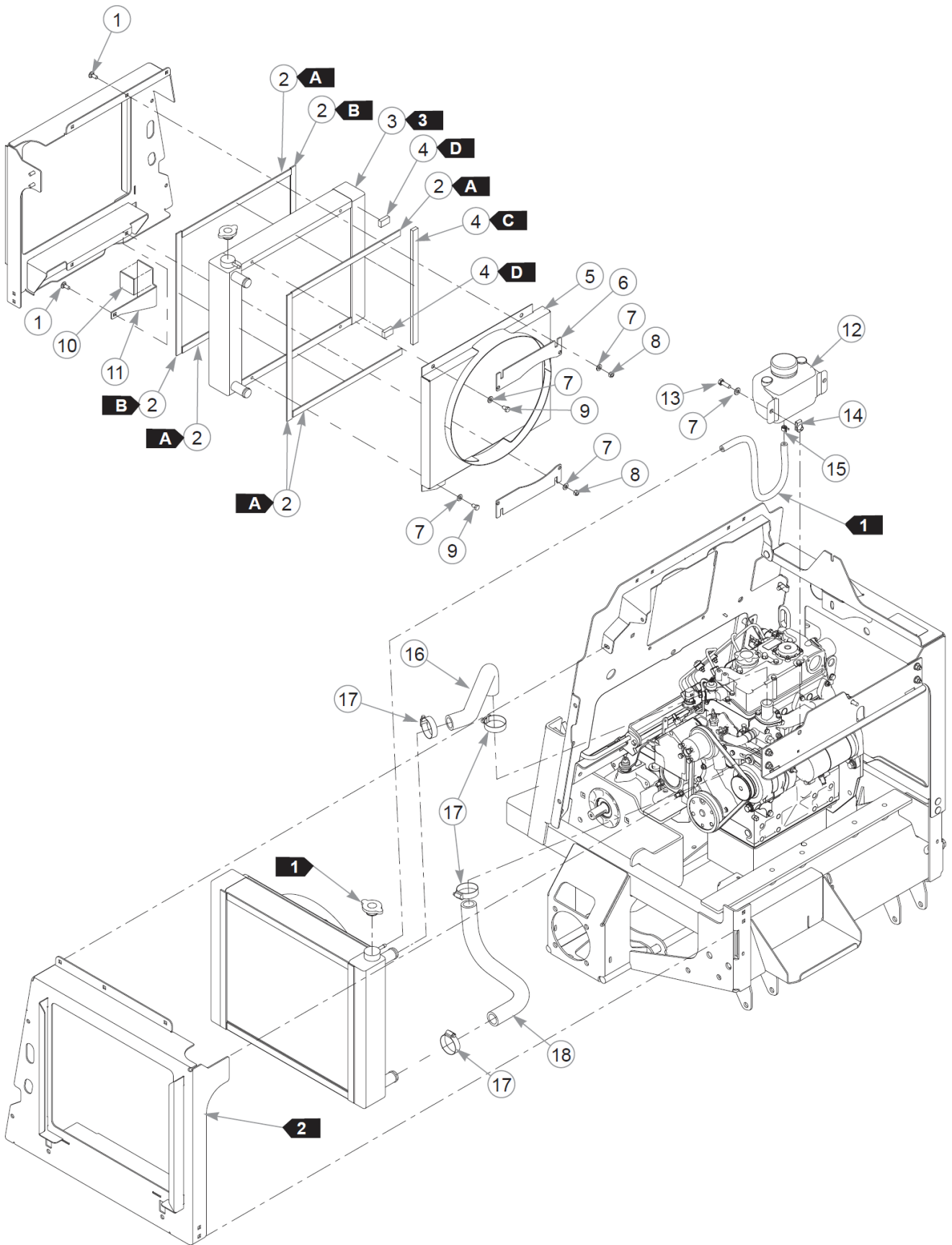
1. Torque to 55 N•m.
2. Torque the bolt to 61–65 N•m. Replace (do not reuse) the cap screw if it's removed or loosened. Use only hand tools to install this fastener.
3. Torque the nut to 96–102 N•m. The tensioner should pivot freely.
4. Torque to 28 N•m.
5. Torque to 16–20 N•m.



Elemento	Parte n.	Q.ta	Nome
1	603778	1	FUEL TANK, FENDER, RH
2	603779	1	FUEL TANK, FENDER, LH
3	798470	2	CAP, 3 1/2" YELLOW FUEL
4	000323	8	CLIP, HOSE CLAMP
5	795542	1	FUEL VALVE SDZ
6	015818	71 in	FUEL LINE, 1/4"
<p>Commenti per num parte 015818</p> <p>Sold by the foot.</p>			
7	603780	2	MULTI-LEVEL GAUGE ASS'Y
8	602069	2	O-RING, VITON -225 SIZE
9	603835	2	SEAL WASHER
10	767954	8	FW 0.379X.82X.06 HD ZY
11	055822	8	CS .375-16X0.75 HX G5 ZY

Comments for Page: Fuel System

VAPOR LINE LENGTHSA: 10" RIGHT TANK TO FUEL VALVEB: 25.5" LEFT TANK TO FUEL VALVE1. Torque to 20 ft-lbs.2. Torque to 70 in-lbs.



Elemento	Parte n.	Q.ta	Nome
1	016253	4	CB .312-18X .750 FUL ZN
2	033035	111"	WEATHERSTRIP .12X.75
3	601295	1	RADIATOR, HDZ ISM 773
4	713198	17"	SEAL 3/8x3/4 SOLD BY FT
5	109144	1	SHROUD W/A, HDZ 773
6	108977	2	PLATE, RAD MNT TOP HDZ
7	768523	10	FW 0.343SAE
8	034272	4	NT .312-18HXG5
9	068346	4	CS .312-18X0.500HXG5
10	606946	1	RADIATOR SUPPORT PAD
11	124556-3	1	RADIATOR BRACKET
12	601358	1	BOTTLE, OVERFLOW RAD
Not Shown	763367	1	CAP, RECOVERY TANK (VEN
13	036236	2	CS .312-18X1.250HXG5
14	601069	2	CN .312-18x.200 MAX THK
15	041483	1	HOSE CLAMP, 7/16 SPRING
16	601353	1	HOSE, UPPER RADIATOR HDZ
17	713040	4	HOSE CLAMP
18	601354	1	HOSE, LOWER RADIATOR HDZ

Comments for Page: Cooling System

WEATHER STRIP & SEAL LENGTHS

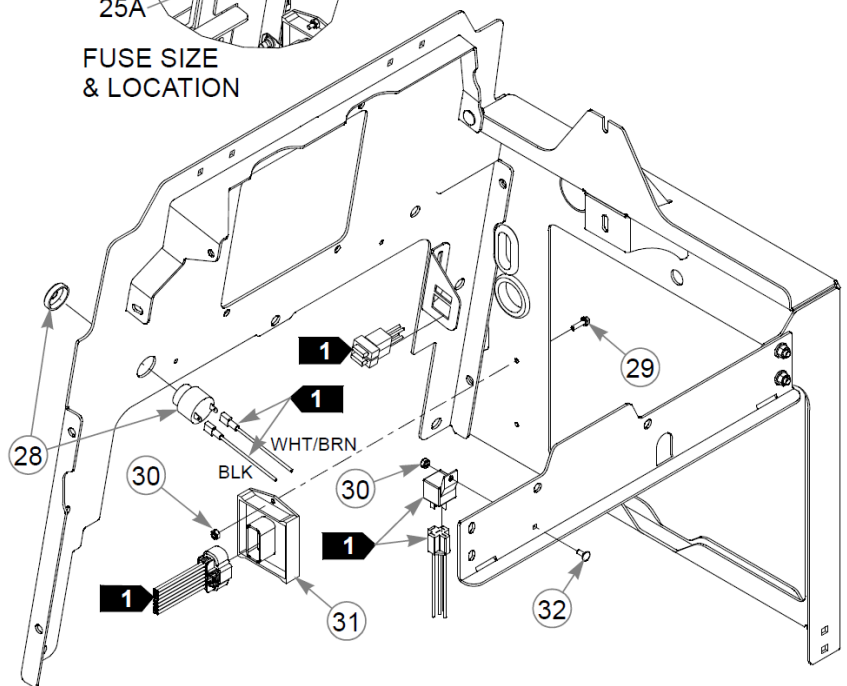
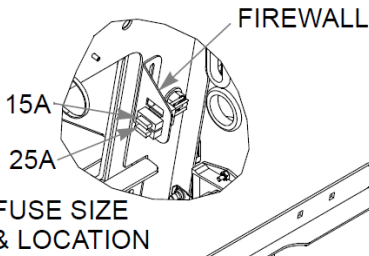
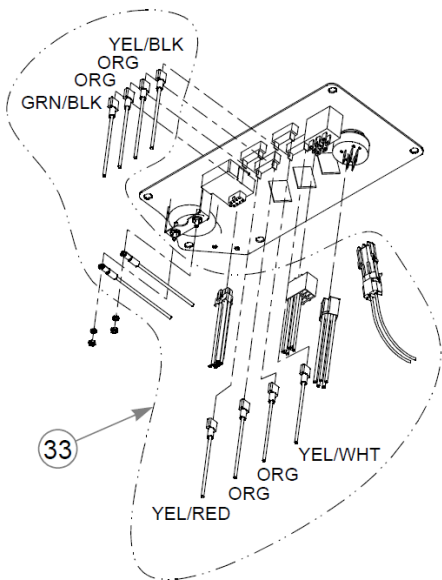
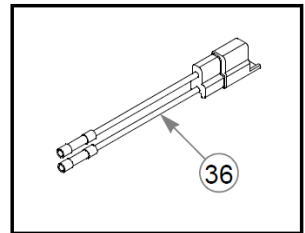
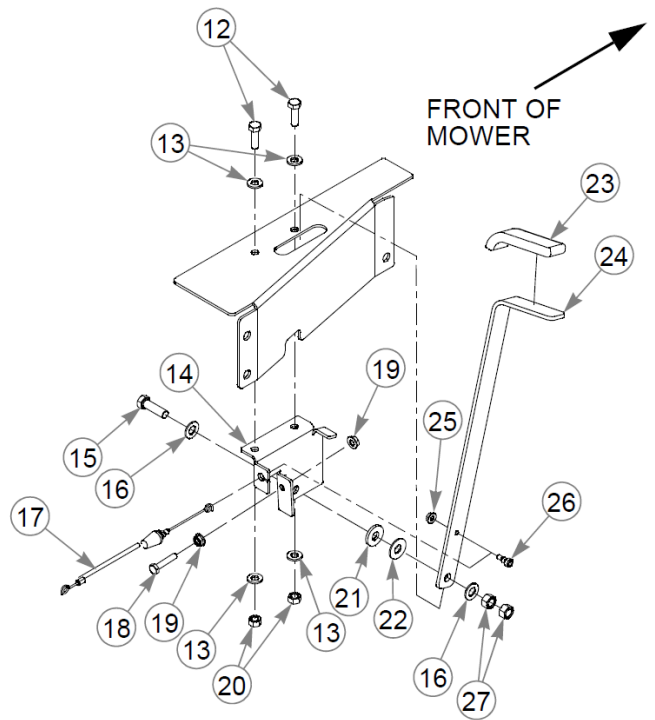
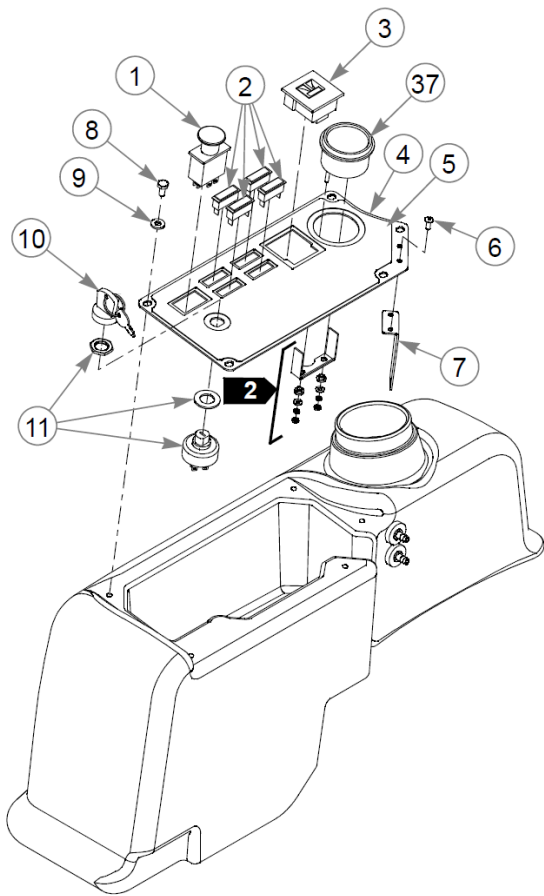
A: 16.0"

B: 15.5"

C: 14.5"

D: 1.25"

1. Included with the radiator.
2. Part of the Radiator A/C Support.
3. Use Radiator Mount Kit 124819 on mowers built prior to S/N 18020001.
4. The overflow bottle includes the cap.



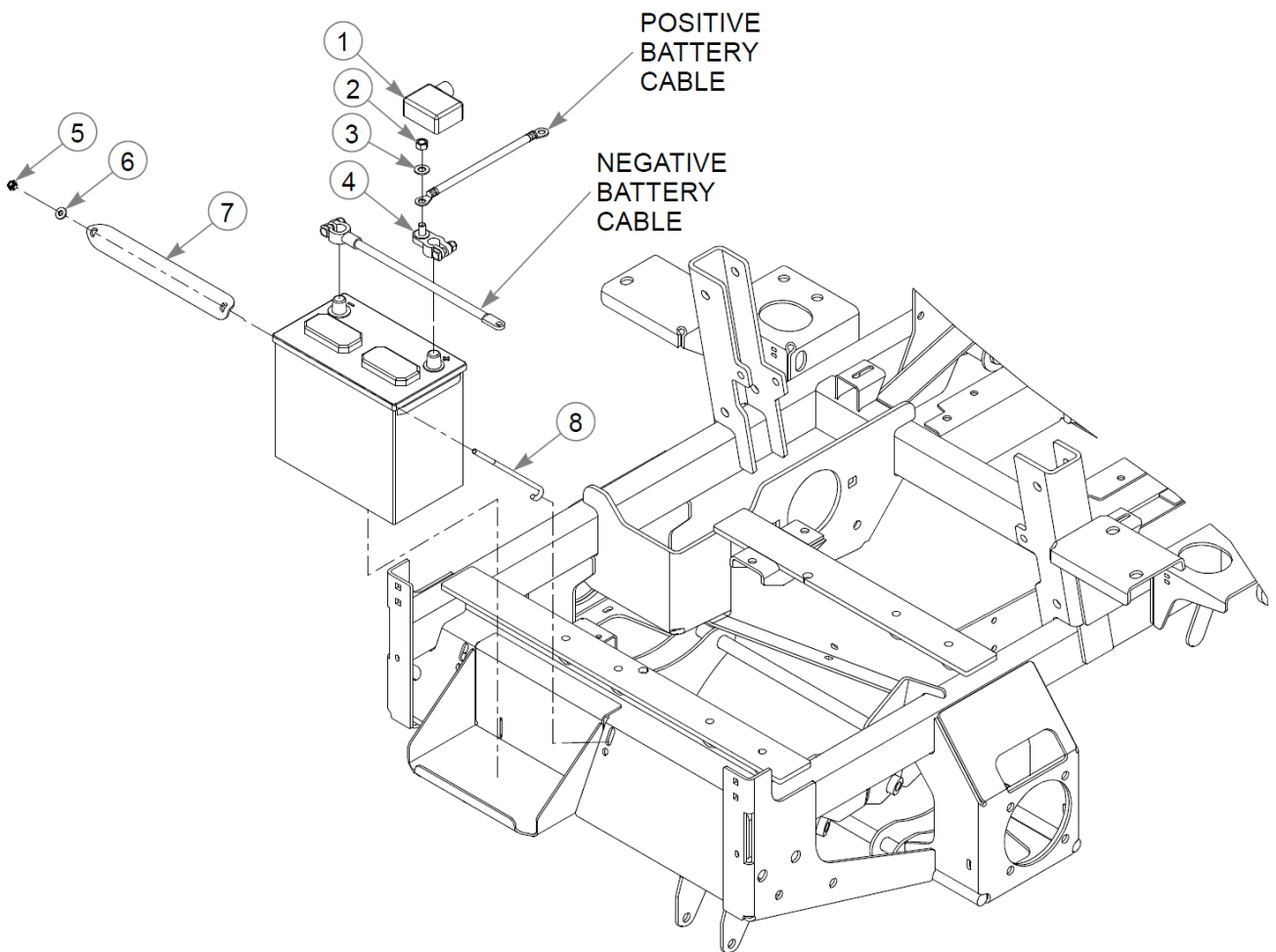
Elemento	Parte n.	Q.ta	Nome
1	776476	1	SWITCH, PTO 6201-321
2	712257	4	INDICATOR LIGHT, RED(FS)
3	603748	1	FUEL DISPLAY/HOUR METER
4	551325	1	INSTRUMENT PANEL, HDZ
5	603758	1	DECAL, INST PANEL HDZ
6	601089	2	RIVET .188 DIA BLK HD
7	109729	1	COVER, HDZ FUEL TANK
8	055947	5	CS .250-20X0.50 HX G5 ZY
9	768515	5	FW 0.281SAE
10	785808	1	KEY ASSEMBLY
11	045898	1	IGNITION SWITCH
12	036236	2	CS .312-18X1.250HXG5
13	768523	4	FW 0.343SAE
14	109421	1	THROTTLE LEVER PLATE
15	052860	1	CS .375-16X1.25 HX G5 ZY
16	767954	2	FW 0.379X.82X.06 HD ZY
17	601362	1	THROTTLE CABLE, HDZ
18	603968	1	CS .250-20X1.25 HX FLTRD
19	016816	2	NT .250-20FLKG5
20	034272	2	NT .312-18HXG5
21	712919	1	FW 0.406X1.00X.12 HD ZY
22	601507	1	FW .406X1.000X.06 NYLON
23	603830	1	GRIP, BLACK .18x.94x4.0
24	115151	1	THROTTLE LEVER, HDZ
25	016774	1	NT #10-24 HXFLK ZN
26	601493	1	SB .250Dx.250L 10-24 ZN
27	054502	2	NT .375-16HXG5
28	794347	1	ALARM, ULTRA LOUD WARBL
29	063198	2	CS #10-24X0.750FLKG5
30	059832	3	NT #10-24 HX NL ZN
31	601368	1	CONTROLLER, HDZ S773L
32	601098	1	CB 10-24 X .500 ZYNC
33	603759	1	WIRE HARNESS, HDZ
34	000430	3	WIRE TIE, SMALL/LONG
35	000331	8	WIRE TIE, SMALL/SHORT
36	114052	1	KIT, CLUTCH CONN. REP.
37	385710011	1	GUAGE, TEMP HDZ

Instrument Panel & Wire Harness

Comments for Page: Instrument Panel & Wire Harness

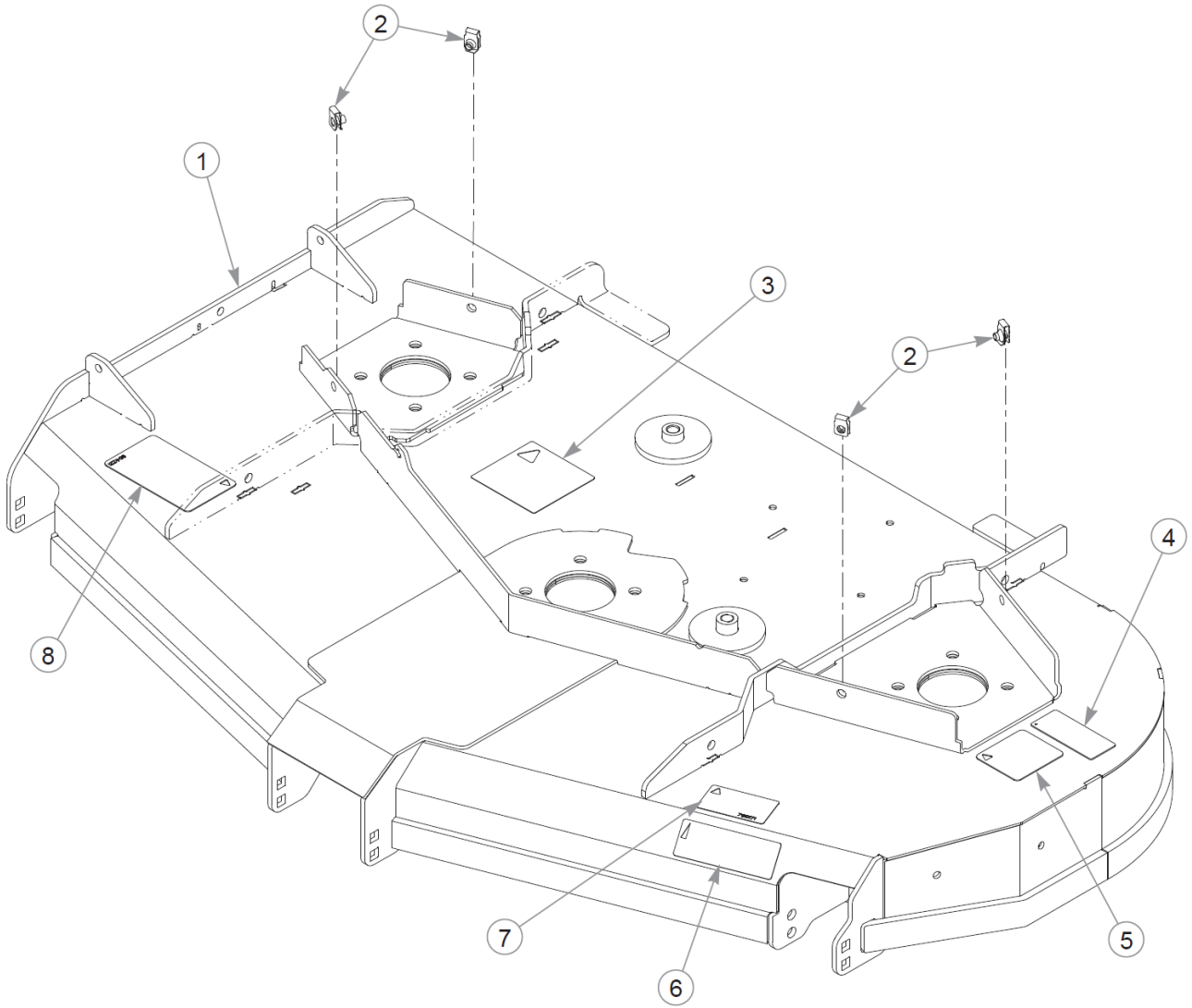
1. Part of the wire harness.
2. Included with the temperature gauge.
3. The instrument panel includes the decal.

Pagina lasciata volutamente in bianco



Battery

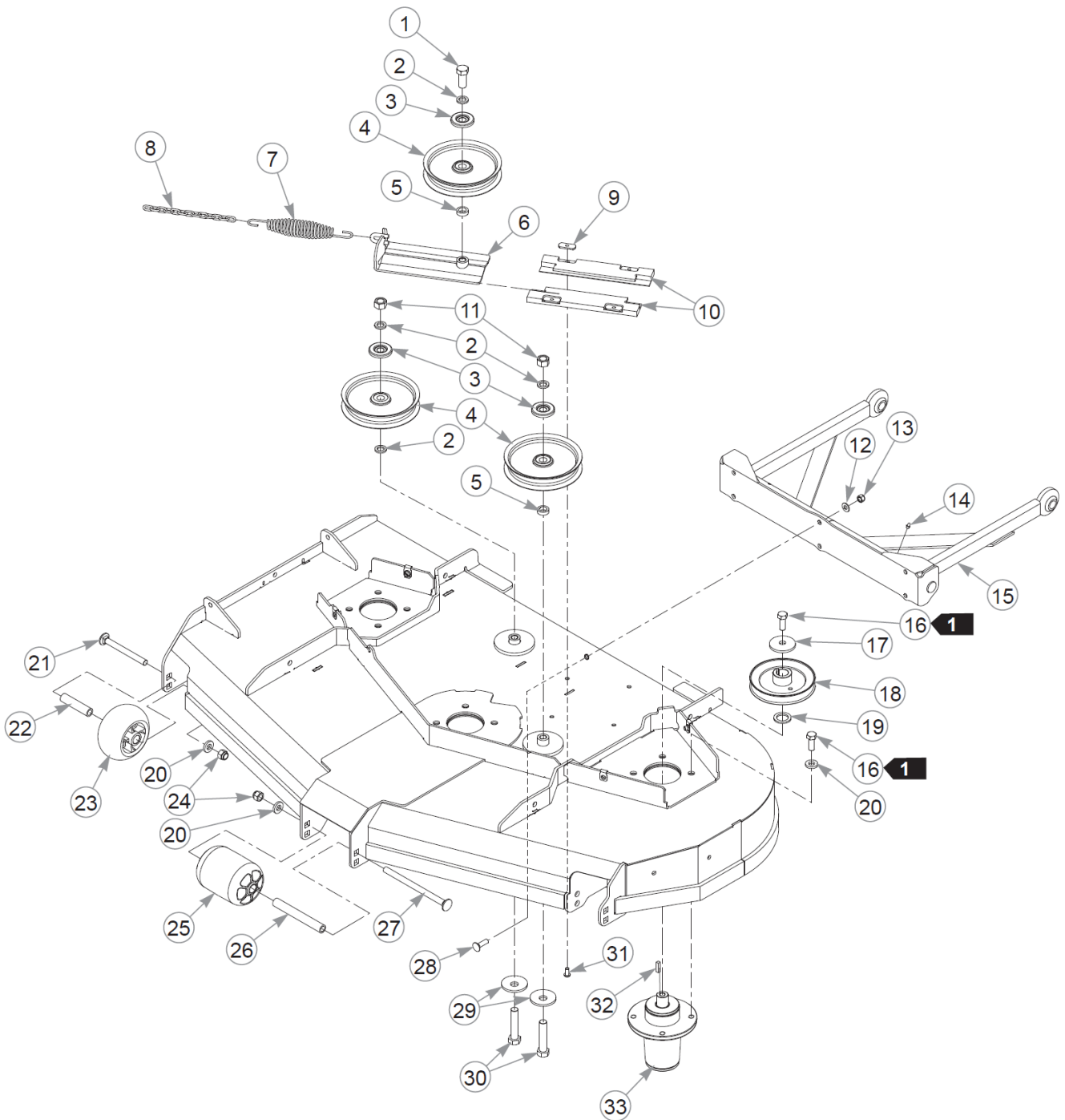
Elemento	Parte n.	Q.ta	Nome
1	601381	1	BOOT, POSITIVE BATTERY
2	054502	1	NT .375-16HXG5
3	767954	1	FW 0.379X.82X.06 HD ZY
4	601380	1	POST, POS BAT MARINE
5	068551	2	NT .250-20 HXZY NL
6	768515	2	FW 0.281SAE
7	109108	1	CLAMP, BATTERY HOLDDOWN
8	793489	2	BATTERY CLAMP ROD
9	000331	1	WIRE TIE, SMALL/SHORT



Elemento	Parte n.	Q.ta	Nome
1	553085	1	SVC DECK DECAL
2	601069	4	CN .312-18x.200 MAX THK
3	781419	1	DECAL, BELT ROUTING
4	601892	1	DECAL, THROWN OBJECTS
5	601837	1	DECAL, DECK DANGERS
6	603092	1	DECAL, VX4 TECHNOLOGY
7	799171	1	DECAL, Z 54" Deck ID
8	604221	1	DECAL, DANGER / CHUTE

Comments for Page: 54" SD - Service Deck

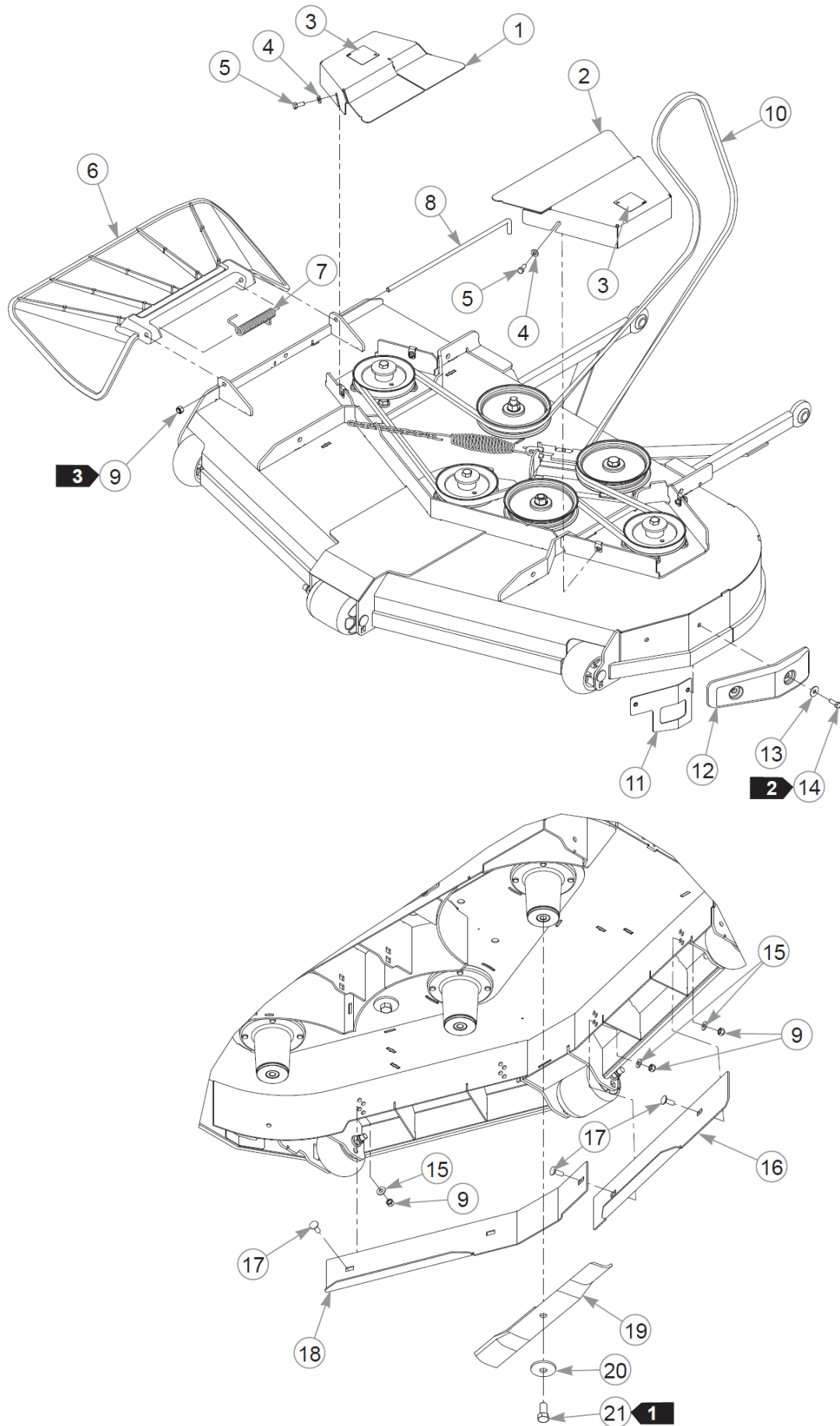
1. The deck includes the decals.



Elemento	Parte n.	Q.ta	Nome
1	794446	1	CS .625-11X1.500HXG5
2	028118	4	FW 0.625X1.00X.13 ZY
3	603057	3	DUST SHIELD W/OFFSET
4	781385	3	PULLEY, IDLER NHI 6.00"
5	600296	2	SPACER, DECK IDLER
6	350884	1	SLIDE, DECK IDLER
7	781302	1	IDLER SPRING
8	259812	1	CHAIN, 13 LINK
9	603023	4	WN .312-18 ZN
10	602936	2	IDLER SLIDE, UHMW
11	016972	2	NT .625-11 HX G5 ZNYC
12	767954	6	FW 0.379X.82X.06 HD ZY
13	086660	6	NT .375-16NLG8
14	015495	2	GREASE FITTING STRAIGHT
15	113340	1	PUSHER W/A, HZ/SZ
16	705954	15	CS .500-13X1.25 HX G5 ZY
17	752386	3	CW .515X 2.25X .204 BLK
18	798967	3	PULLEY, B-SEC 5.44 EOD
19	045765	3	FW 1.030X1.50X.13 HD ZY
20	767962	15	FW .531 x 1.063 x .175
21	603049	2	CB .500-13 X 5.00 ZNYC
22	602345	2	SPACER, ANTI-SCALP 3.22
23	602263	2	WHEEL, ANTI-SCALP
24	781567	3	NT .500-13NLG5
25	602341	1	WHEEL, ANTI-SCALP
26	602344	1	SPACER, ANTI- SCALP 5.73
27	602338	1	CB .50-13 X 7.50 STD ZN
28	603113	6	CB .375-16X1.250 G5 ZNC
29	782474	2	CW .678 X 2.250 X .187
30	783738	2	CS .625-11X3.000HXG5
31	603022	4	CS .312-18X.625 BH ZN
32	212472	3	KEY 1/4 SQ X 1.00 LG(FS)
33	604255	3	SPINDLE ASSY, DUCTILE

Commenti per num parte 604255

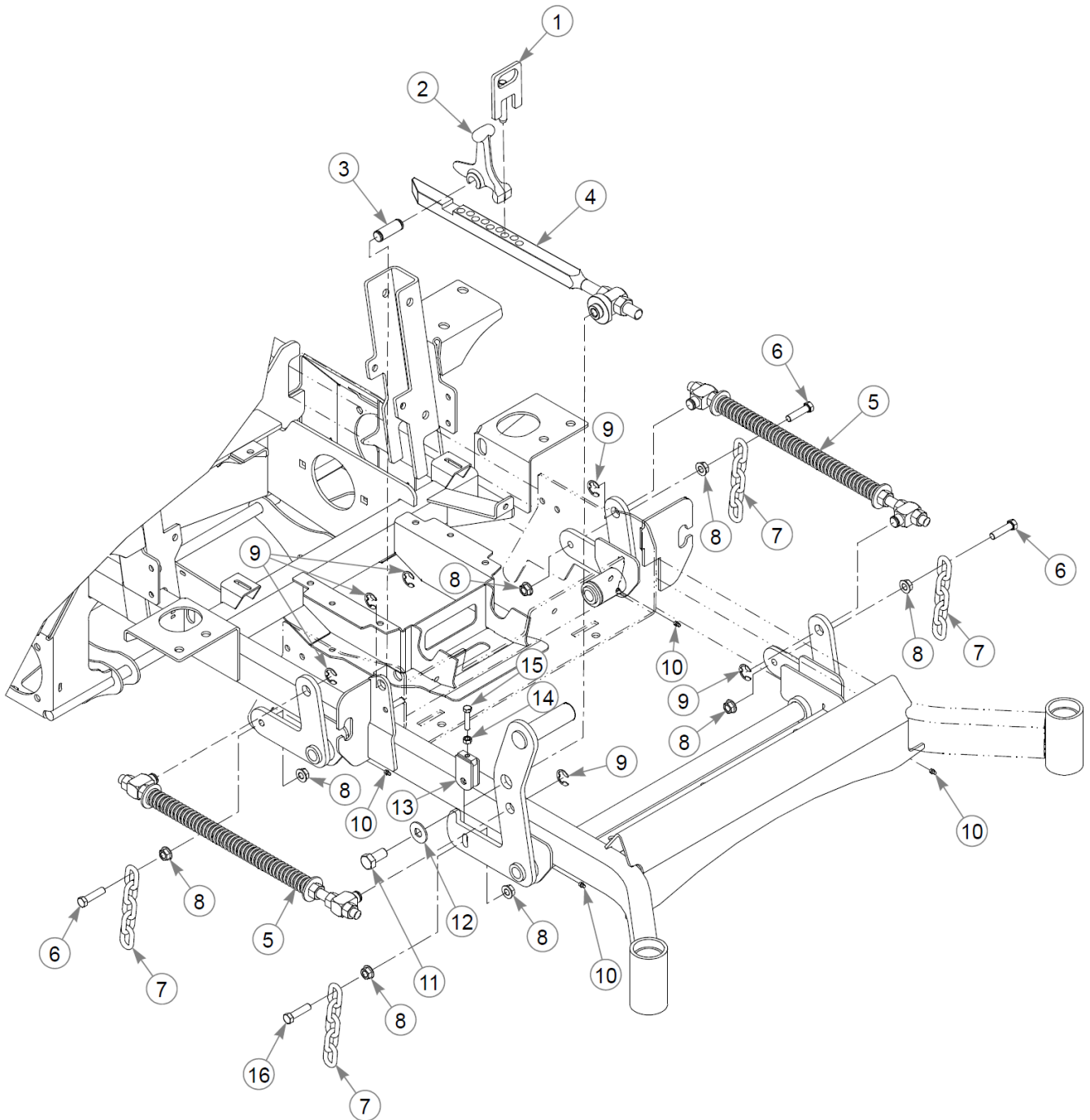
Spindle has no service parts available. Replace complete spindle assembly.



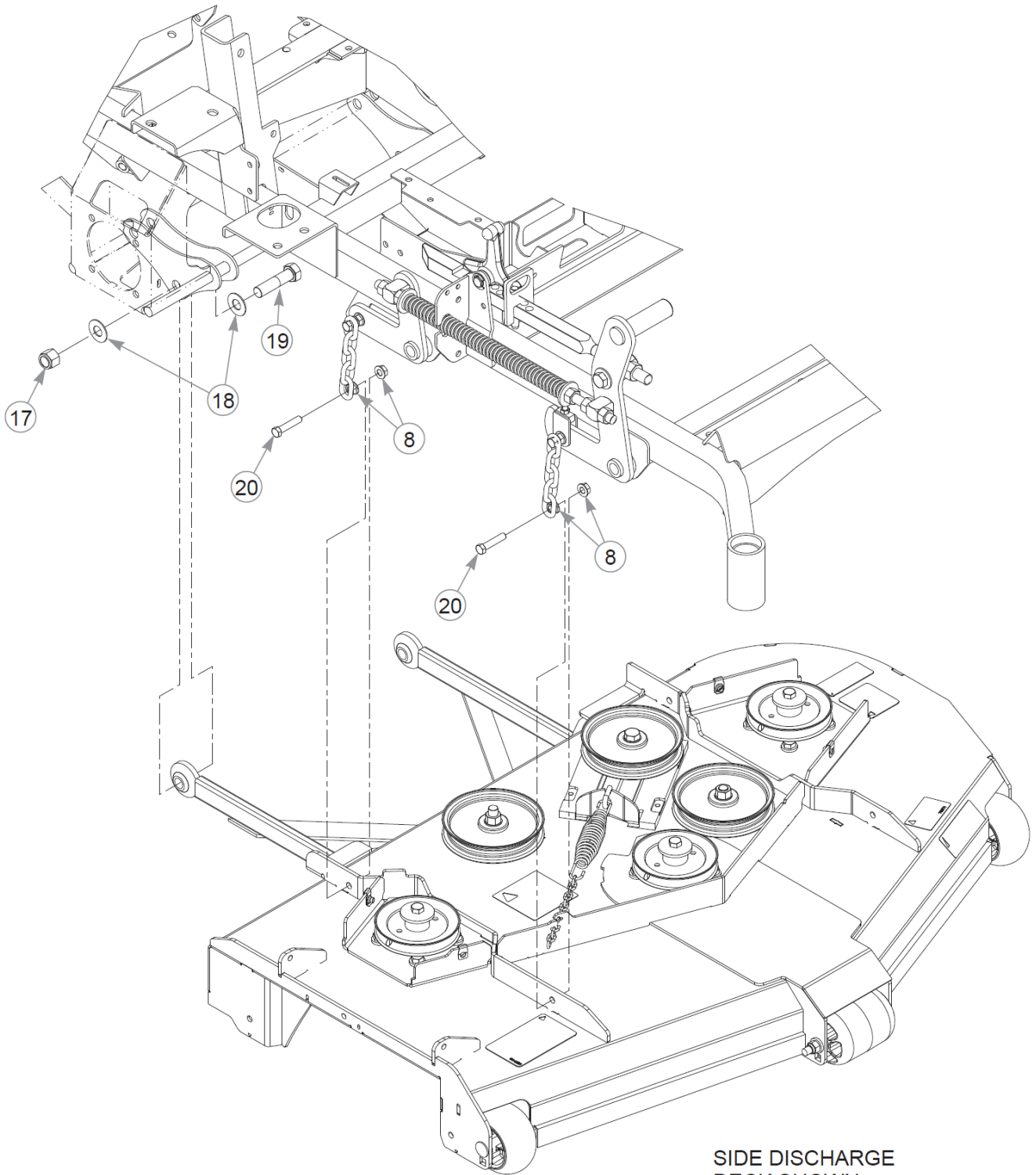
Elemento	Parte n.	Q.ta	Nome
1	553742	1	SERVICE GUARD, RH
2	553741	1	SERVICE GUARD, LH
3	602562	2	DECAL, NO SERVICE
4	768523	4	FW 0.343SAE
5	034280	4	CS .312-18X0.750HXG5
6	602429	1	DISCHARGE CHUTE
7	602435	1	SPRING, TORSION
8	602432	1	PIN, CHUTE
9	086660	5	NT .375-16NLG8
10	603687	1	BELT B-SEC
11	113563	1	BACKING PLATE W/A
12	602817	1	RUBBER BUMPER
13	079210	2	FW 0.344X1.0X0.06 ZY
14	064014	2	CS .312-18X0.875HXG5
15	767954	4	FW 0.379X.82X.06 HD ZY
16	113211	1	WALL, INNER ADJ RH 54"
17	025395	4	CB .375-16X 1.00 G5 ZNY
18	113210	1	WALL, INNER ADJ LH 54"
19	797696	3	BLADE, F18.50"-H-F-CW
Not Shown	601012	3	BLADE F18.50"-L-F-CW
Not Shown	797704	3	BLADE, 18.50"-MUL-F-CW
Not Shown	797712	3	BLADE, 18.50"-GAT-F-CW
20	782474	3	CW .678 X 2.250 X .187
21	781872	3	CS .625-11X1.250HXG5

Comments for Page: 54" SD - Deck Belt, Discharge Chute, Pulley Covers & Blades

1. Torque to 160 N•m.
2. Torque to 14 N•m.
3. Do not torque; the discharge chute must pivot freely.

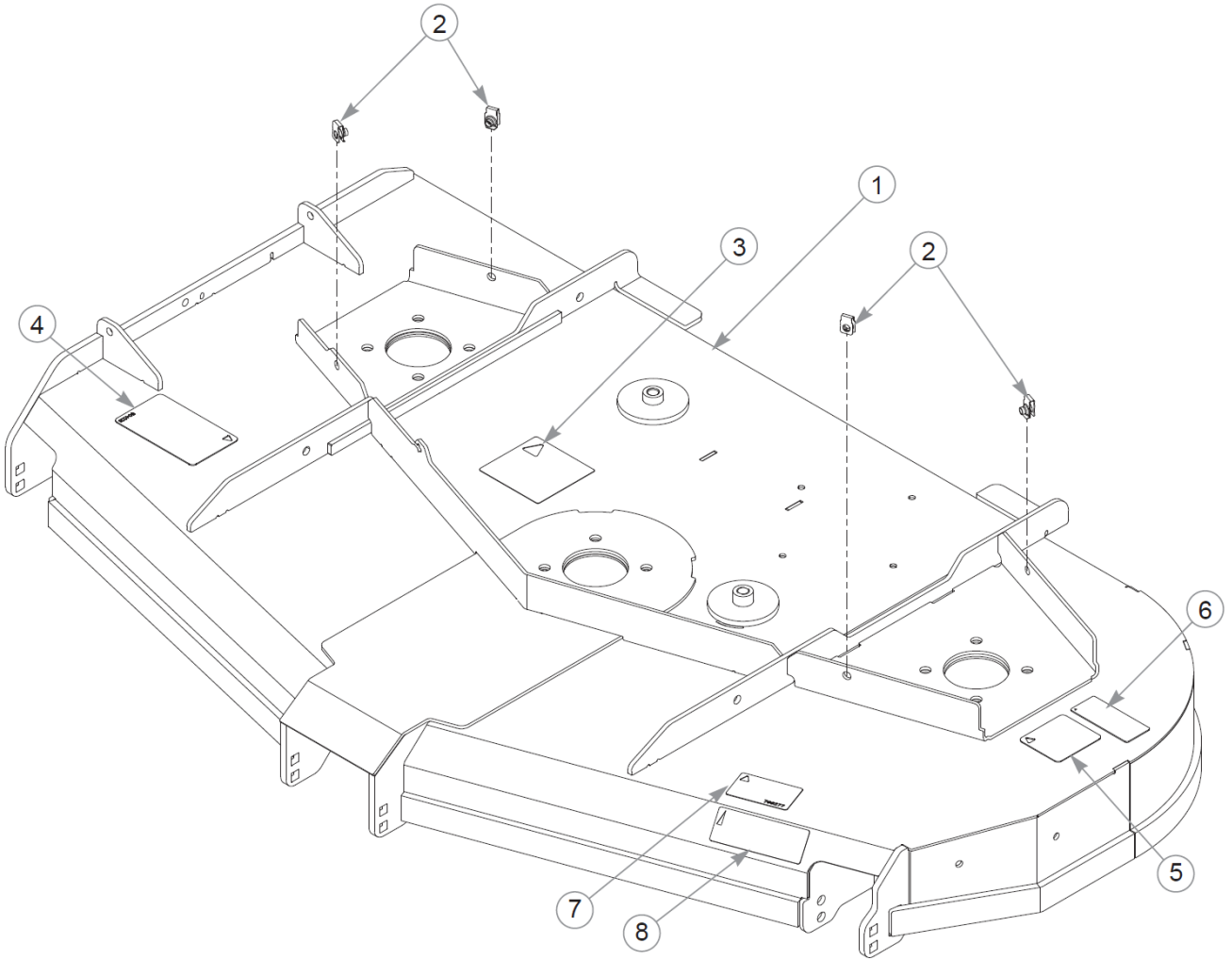


Elemento	Parte n.	Q.ta	Nome
1	600437	1	PIN, DECK HEIGHT W/A
2	348318	1	HANDLE, STOP
3	781229	1	CE .750X2.25 X1.75 HEAD
4	602898	1	DECK LIFT
5	782995	2	DECK LIFT SPRING S/A
6	055749	3	CS .437-14X1.750HXG5
7	348391	4	CHAIN, DECK LIFT
8	704643	16	NT .437-14FLKG5
9	781294	6	CLIP E, 1.00 X.625X .05
10	015495	4	GREASE FITTING STRAIGHT
11	781872	1	CS .625-11X1.250HXG5
12	704783	1	FW 0.625X1.500X0.105
13	348458	1	YOKE W/A, DECK LEVELER
14	034272	1	NT .312-18HXG5
15	756270	1	CS .312-18X1.500HXG5
16	781831	1	CS .437-14x1.75 FULTHG5
17	061101	2	NT .750-10 HX ZY NL GR B
18	025296	4	FW .760X1.63X0.08 ZY
19	051169	2	CS .750-10X3.000HXG5
20	778324	4	CS .437-14X2.00 G5 ZNYC

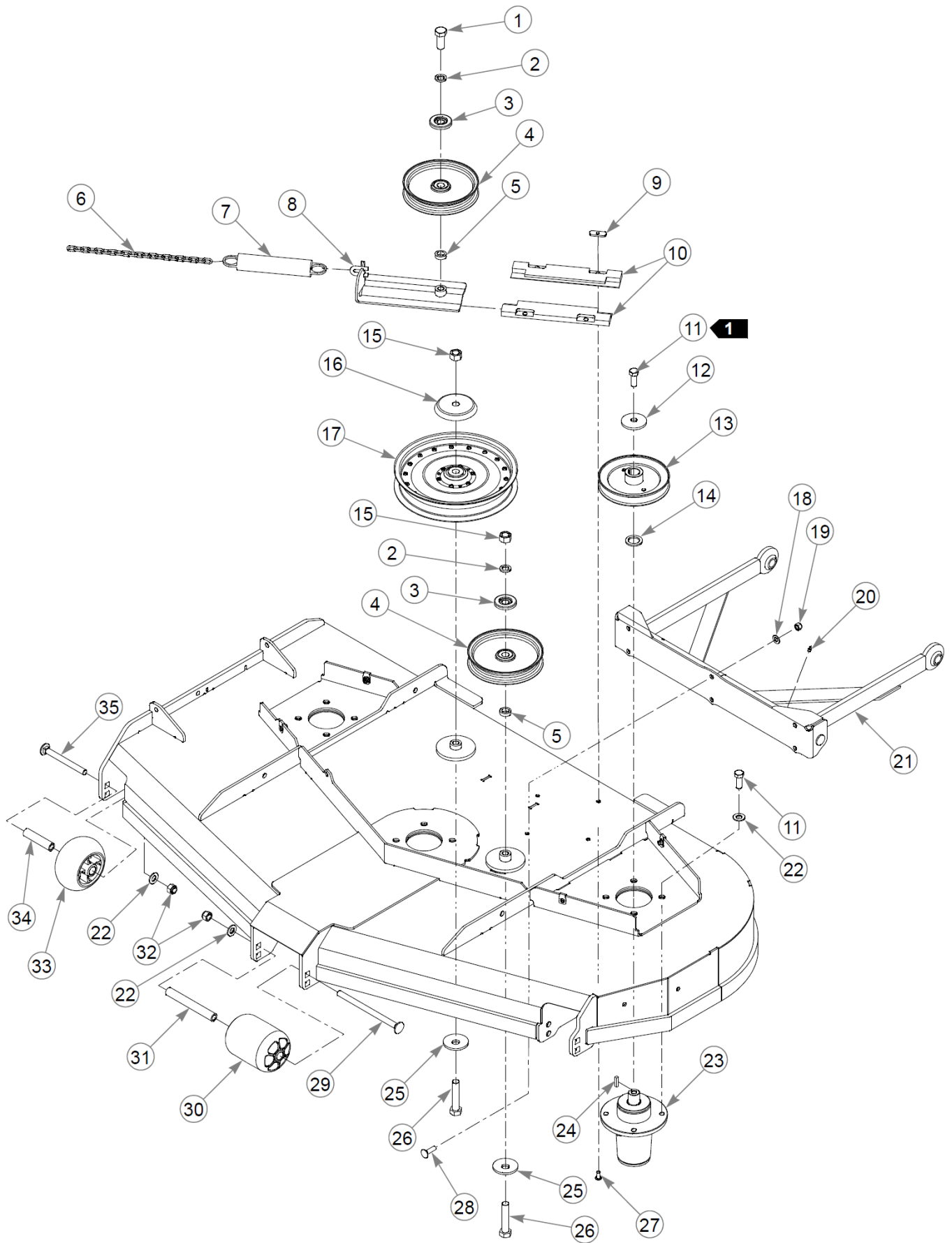


SIDE DISCHARGE
DECK SHOWN

Pagina lasciata volutamente in bianco



Elemento	Parte n.	Q.ta	Nome
1	550739	1	SERVICE DECK, 60" VX4
2	601069	4	CN .312-18x.200 MAX THK
3	781419	1	DECAL, BELT ROUTING
4	604221	1	DECAL, DANGER / CHUTE
5	601837	1	DECAL, DECK DANGERS
6	601892	1	DECAL, THROWN OBJECTS
7	786277	1	DECAL, 60 DECK ID
8	603092	1	DECAL, VX4 TECHNOLOGY



Elemento	Parte n.	Q.ta	Nome
1	794446	1	CS .625-11X1.500HXG5
2	028118	2	FW 0.625X1.00X.13 ZY
3	603057	2	DUST SHIELD W/OFFSET
4	781385	2	PULLEY, IDLER NHI 6.00"
5	600296	2	SPACER, DECK IDLER
6	373191	1	CHAIN, 21 LINK
7	781302	1	IDLER SPRING
8	350884	1	SLIDE, DECK IDLER
9	603023	4	WN .312-18 ZN
10	602936	2	IDLER SLIDE, UHMW
11	705954	15	CS .500-13X1.25 HX G5 ZY
12	752386	3	CW .515X 2.25X .204 BLK
13	770842	3	PULLEY, DECK DRIVE
14	045765	3	FW 1.030X1.50X.13 HD ZY
15	016972	2	NT .625-11 HX G5 ZNYC
16	602963	1	DUST SHIELD, IDLER LG
17	602743	1	IDLER, 10.0" RIVETED
18	767954	6	FW 0.379X.82X.06 HD ZY
19	086660	6	NT .375-16NLG8
20	015495	2	GREASE FITTING STRAIGHT
21	113340	1	PUSHER W/A, HZ/SZ
22	767962	15	FW .531 x 1.063 x .175
23	604255	3	SPINDLE ASSY, DUCTILE

Commenti per num parte 604255

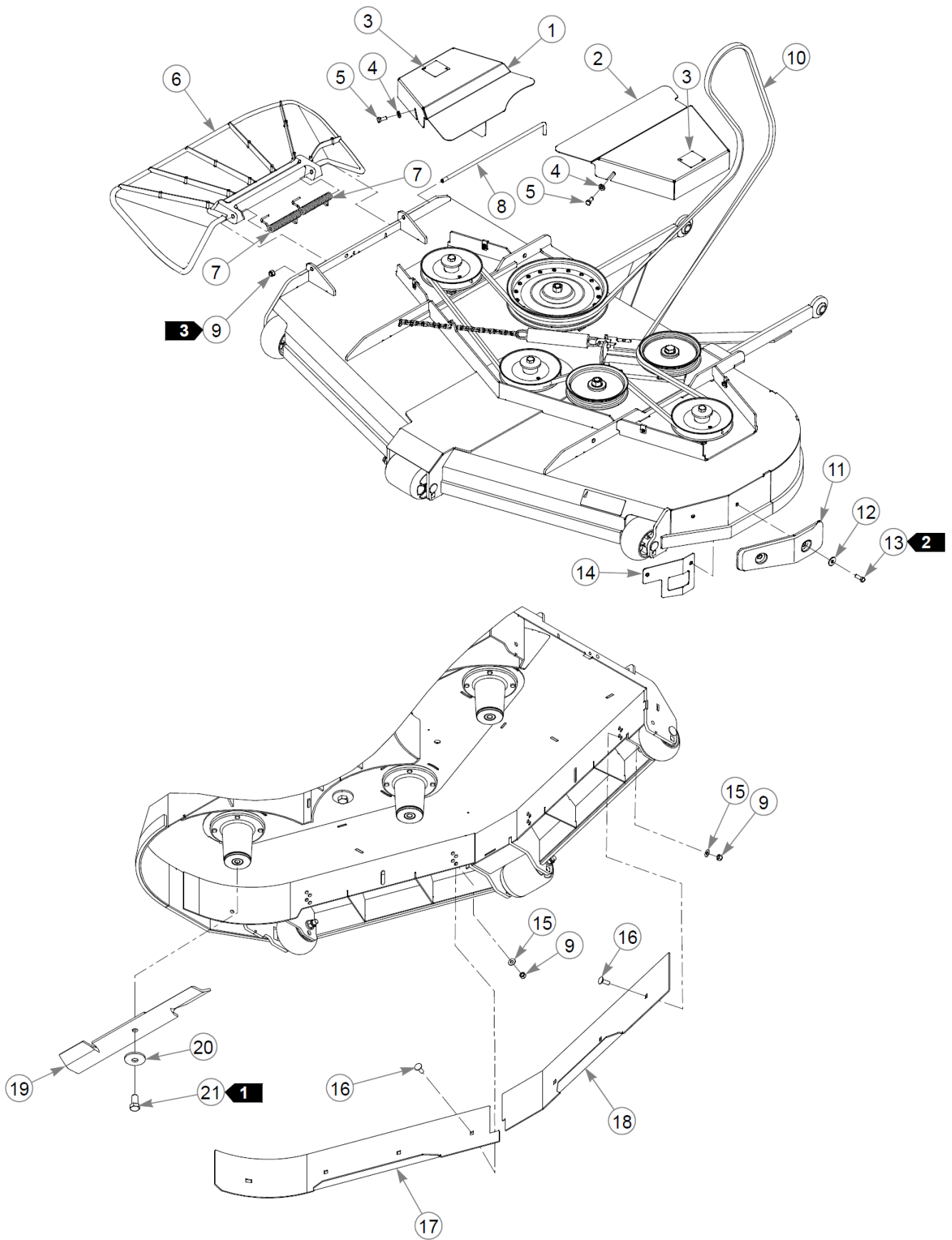
Spindle has no service parts available. Replace complete spindle assembly.

24	212472	3	KEY 1/4 SQ X 1.00 LG(FS)
25	782474	2	CW .678 X 2.250 X .187
26	783738	2	CS .625-11X3.000HXG5
27	603022	4	CS .312-18X.625 BH ZN
28	603113	6	CB .375-16X1.250 G5 ZNC
29	602338	1	CB .50-13 X 7.50 STD ZN
30	602341	1	WHEEL, ANTI-SCALP
31	602344	1	SPACER, ANTI- SCALP 5.73
32	781567	3	NT .500-13NLG5
33	602263	2	WHEEL, ANTI-SCALP
34	602345	2	SPACER, ANTI-SCALP 3.22
35	603049	2	CB .500-13 X 5.00 ZNYC

Comments for Page: 60" SD - Deck Pulleys & Spindles

1. Torque to 67–75 ft-lbs. 2. Mowers with S/N 12100664 & higher use spindle 604255. Mowers prior to S/N 12100664 use spindle 601630.

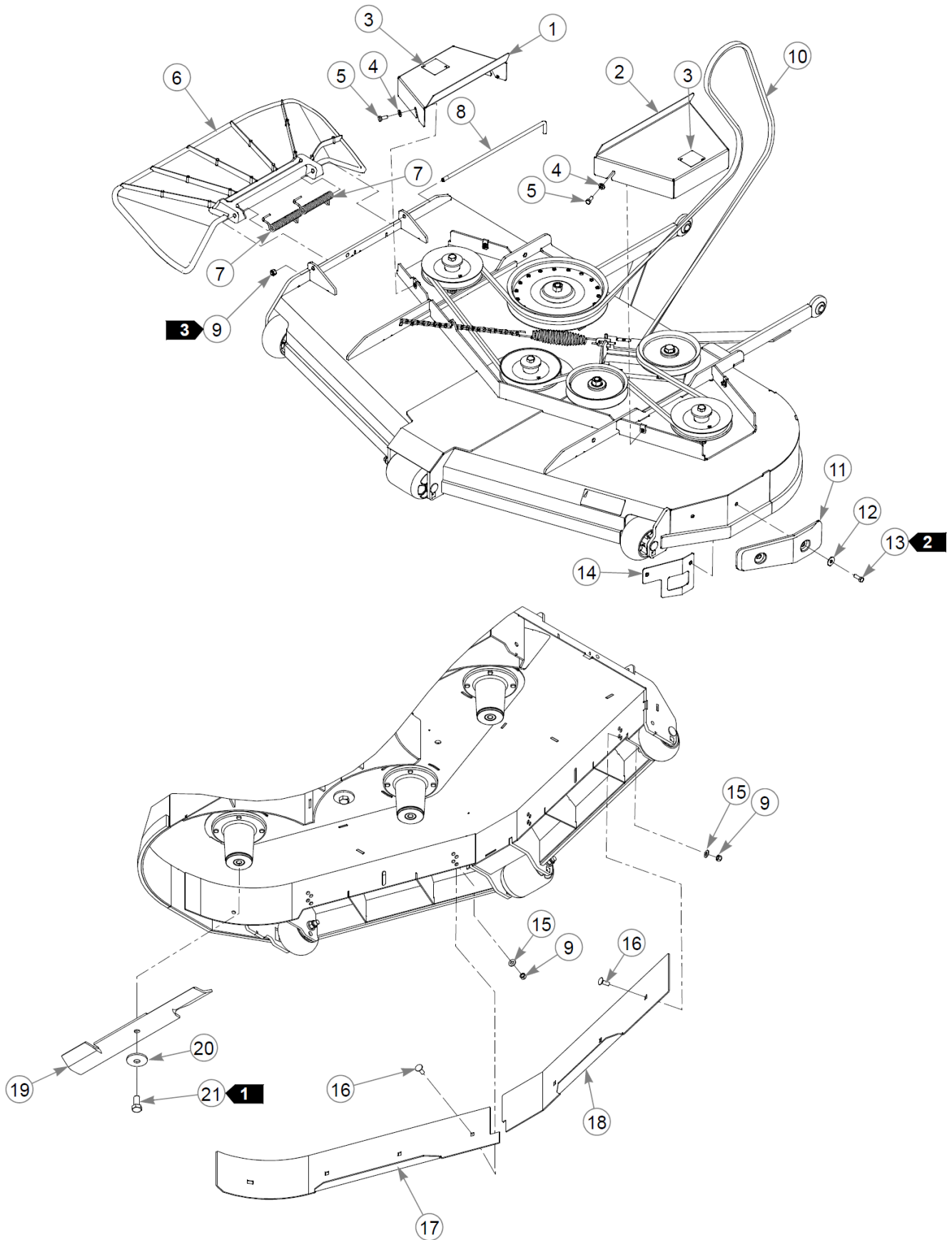
Pagina lasciata volutamente in bianco



Elemento	Parte n.	Q.ta	Nome
1	112933	1	COVER, PULLEY RH 60"
2	112934	1	COVER, PULLEY LH 60"
3	602562	2	DECAL, NO SERVICE
4	768523	4	FW 0.343SAE
5	034280	4	CS .312-18X0.750HXG5
6	602891	1	CHUTE, DISCHARGE LG
7	602435	2	SPRING, TORSION
8	602432	1	PIN, CHUTE
9	086660	15	NT .375-16NLG8
10	603688	1	BELT, B-SEC
11	602817	1	RUBBER BUMPER
12	079210	2	FW 0.344X1.0X0.06 ZY
13	064014	2	CS .312-18X0.875HXG5
14	113563	1	BACKING PLATE W/A
15	767954	14	FW 0.379X.82X.06 HD ZY
16	025395	11	CB .375-16X 1.00 G5 ZNY
17	113637	1	WALL, INNER LH 60" CE
18	113636	1	WALL, INNER RH 60" CE
19	602771	3	BLADE, F20.50" EHN-F-CW
20	782474	3	CW .678 X 2.250 X .187
21	781872	3	CS .625-11X1.250HXG5

Comments for Page: 60" SD - S/N Prior to 16028645 - Deck Belt, Discharge Chute, Pulley Covers & Blades

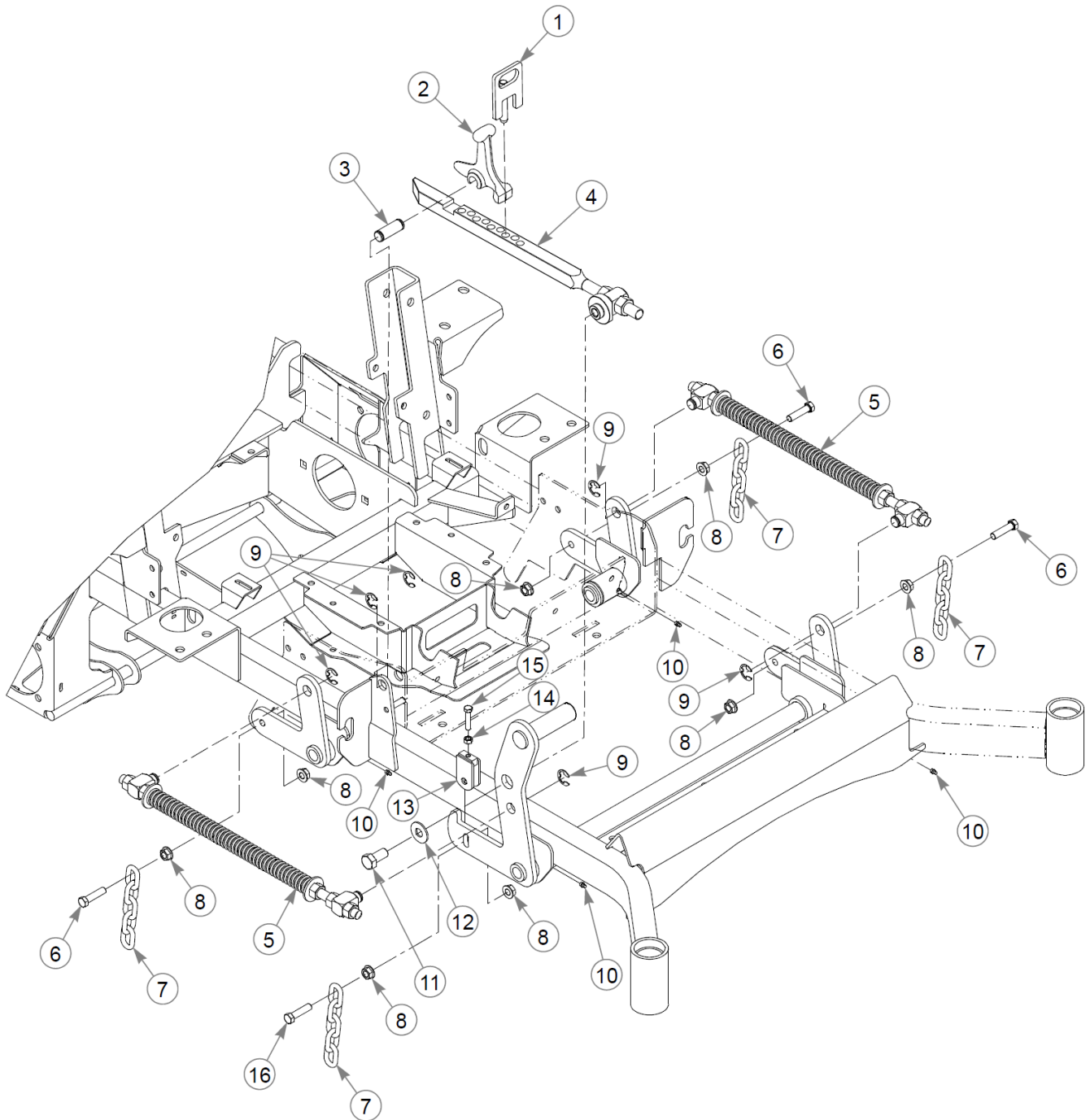
1. Torque to 160 N•m.
2. Torque to 13 N•m.
3. Do not torque; the discharge chute must pivot freely.
4. The pulley covers include decals.



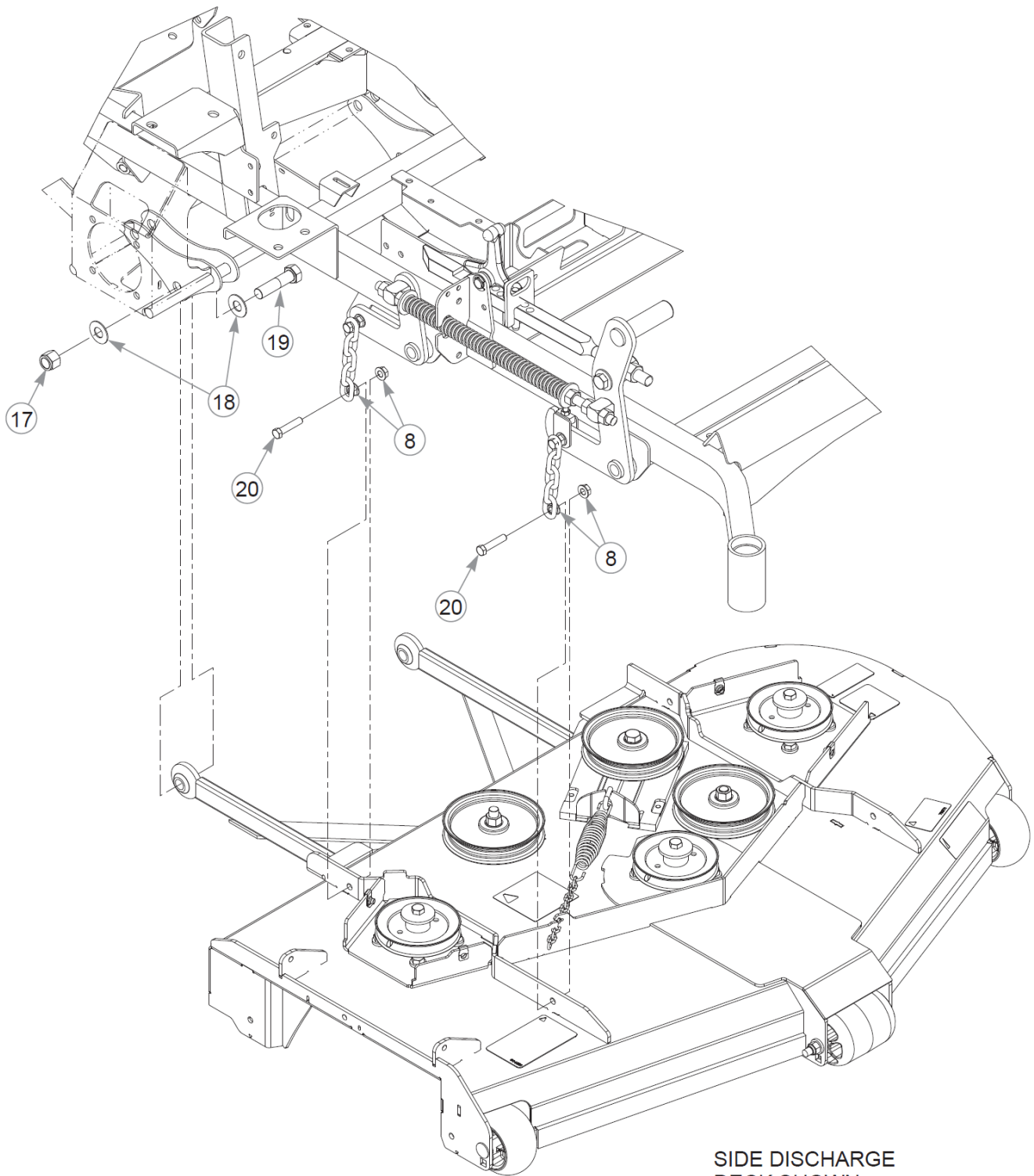
Elemento	Parte n.	Q.ta	Nome
1	553268	1	SERVICE GUARD, RH
2	553267	1	SERVICE GUARD, LH
3	602562	2	DECAL, NO SERVICE
4	768523	4	FW 0.343SAE
5	034280	4	CS .312-18X0.750HXG5
6	602891	1	CHUTE, DISCHARGE LG
7	602435	2	SPRING, TORSION
8	602432	1	PIN, CHUTE
9	086660	15	NT .375-16NLG8
10	603688	1	BELT, B-SEC
11	602817	1	RUBBER BUMPER
12	079210	2	FW 0.344X1.0X0.06 ZY
13	064014	2	CS .312-18X0.875HXG5
14	113563	1	BACKING PLATE W/A
15	767954	14	FW 0.379X.82X.06 HD ZY
16	025395	11	CB .375-16X 1.00 G5 ZNY
17	113637	1	WALL, INNER LH 60" CE
18	113636	1	WALL, INNER RH 60" CE
19	602771	3	BLADE, F20.50" EHN-F-CW
20	782474	3	CW .678 X 2.250 X .187
21	781872	3	CS .625-11X1.250HXG5

Comments for Page: 60" Side Discharge Deck - S/N 16028645 & Higher

1. Torque to 160 N•m.
2. Torque to 13 N•m.
3. Do not torque; the discharge chute must pivot freely.
4. The pulley covers include decals.

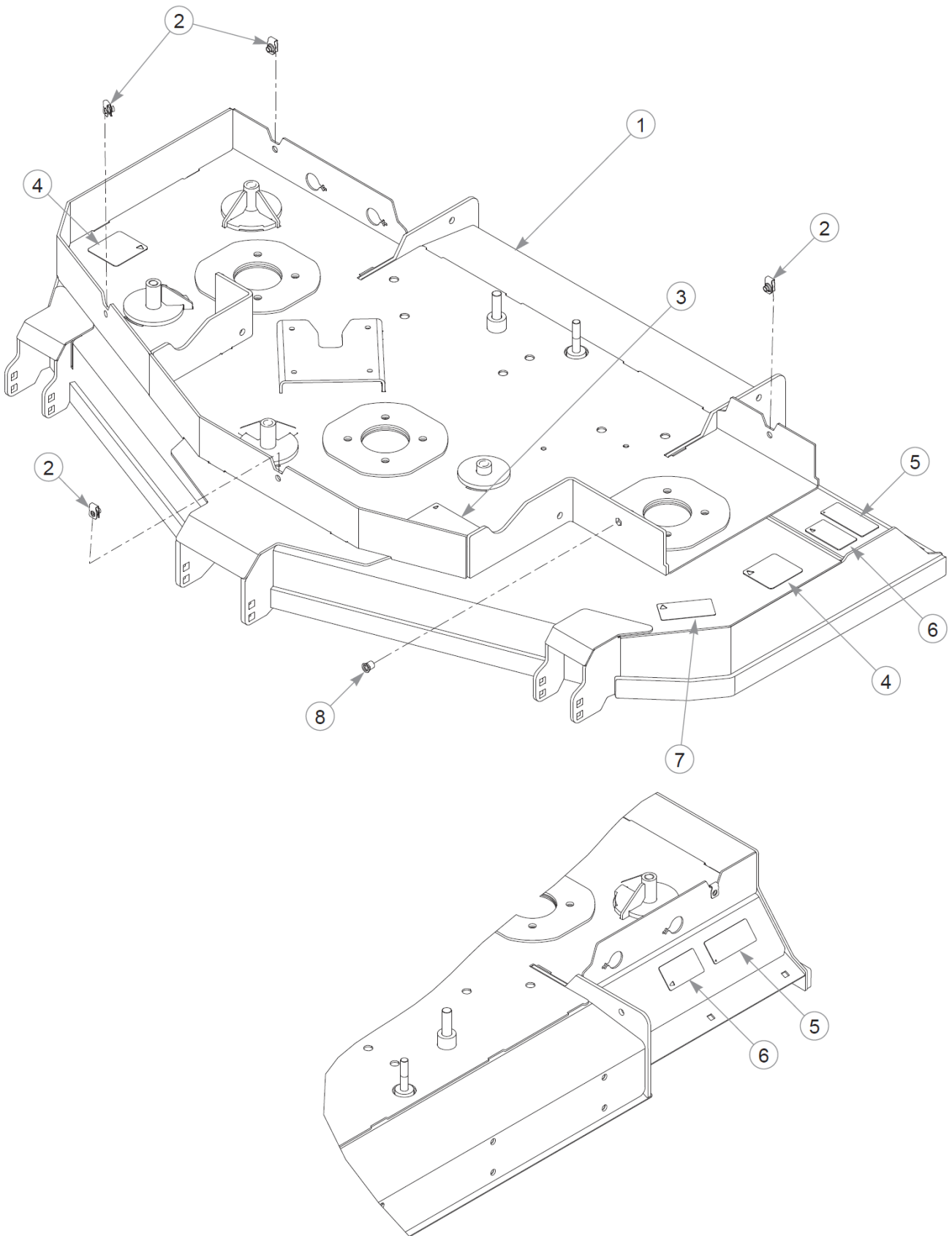


Elemento	Parte n.	Q.ta	Nome
1	600437	1	PIN, DECK HEIGHT W/A
2	348318	1	HANDLE, STOP
3	781229	1	CE .750X2.25 X1.75 HEAD
4	602898	1	DECK LIFT
5	782995	2	DECK LIFT SPRING S/A
6	055749	3	CS .437-14X1.750HXG5
7	348391	4	CHAIN, DECK LIFT
8	704643	16	NT .437-14FLKG5
9	781294	6	CLIP E, 1.00 X.625X .05
10	015495	4	GREASE FITTING STRAIGHT
11	781872	1	CS .625-11X1.250HXG5
12	704783	1	FW 0.625X1.500X0.105
13	348458	1	YOKE W/A, DECK LEVELER
14	034272	1	NT .312-18HXG5
15	756270	1	CS .312-18X1.500HXG5
16	781831	1	CS .437-14x1.75 FULTHG5
17	061101	2	NT .750-10 HX ZY NL GR B
18	025296	4	FW .760X1.63X0.08 ZY
19	051169	2	CS .750-10X3.000HXG5
20	778324	4	CS .437-14X2.00 G5 ZNYC



SIDE DISCHARGE
DECK SHOWN

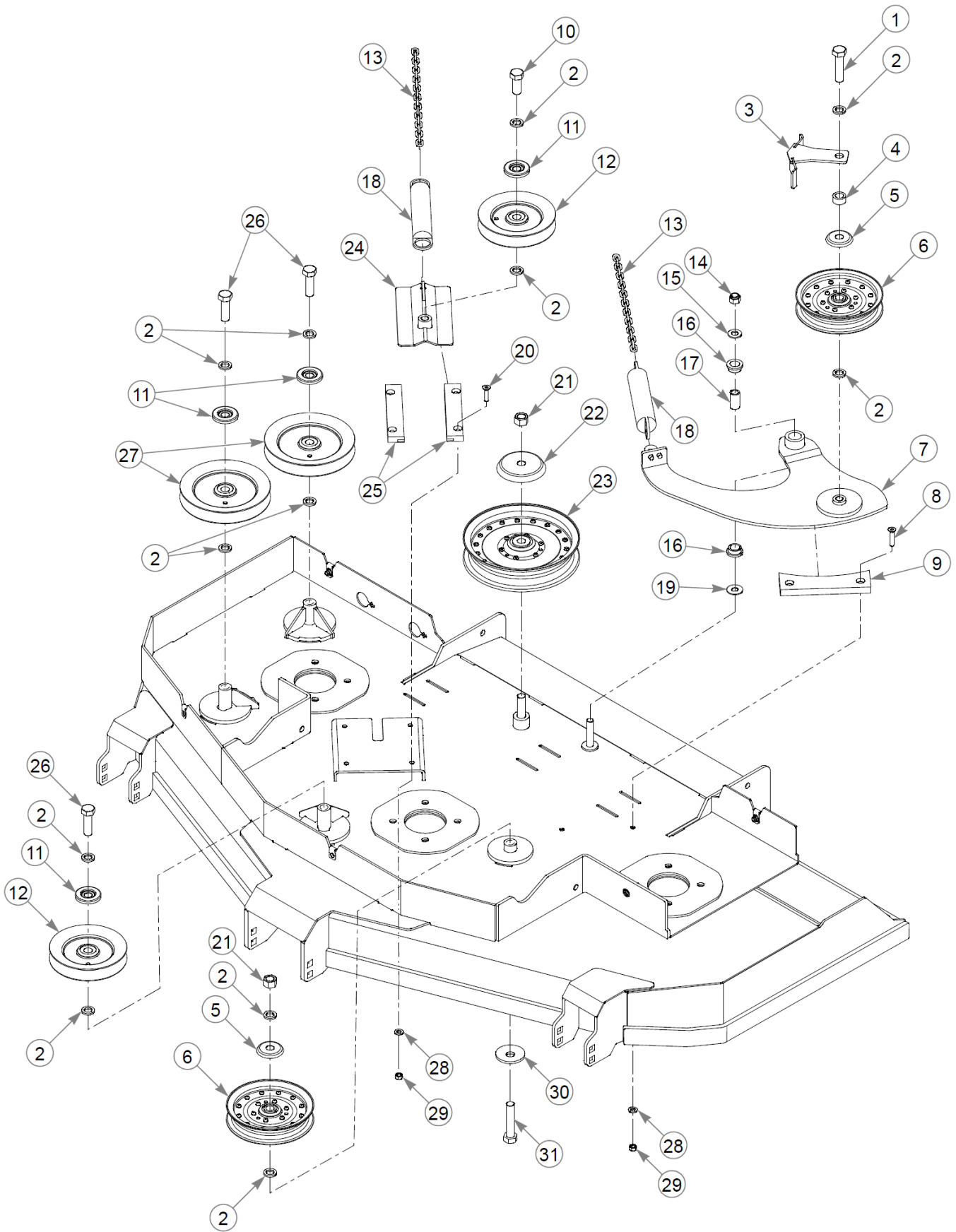
Pagina lasciata volutamente in bianco



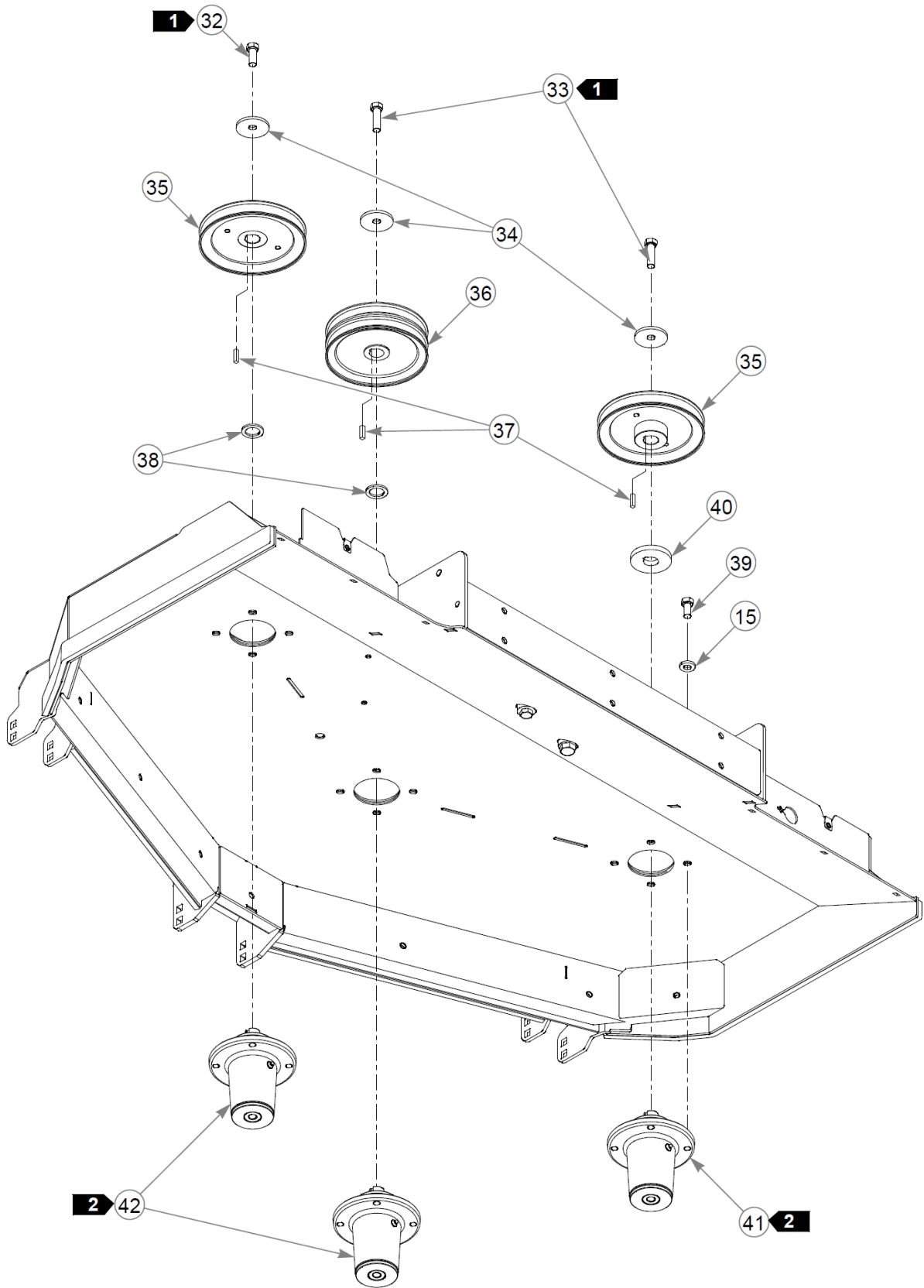
Elemento	Parte n.	Q.ta	Nome
1	550935	1	SVC DECK DECAL 60" RD
2	601069	4	CN .312-18x.200 MAX THK
3	603349	1	DECAL, 2 BELT ROUTING
4	601837	2	DECAL, DECK DANGERS
5	601892	2	DECAL, THROWN OBJECTS
6	603391	2	DECAL, RUBBER FLAP
7	786277	1	DECAL, 60 DECK ID
8	792887	1	RIVET NUT,HX 5/16-18 TH

Comments for Page: 60" RD - Service Deck

1. The deck includes decals and hardware.



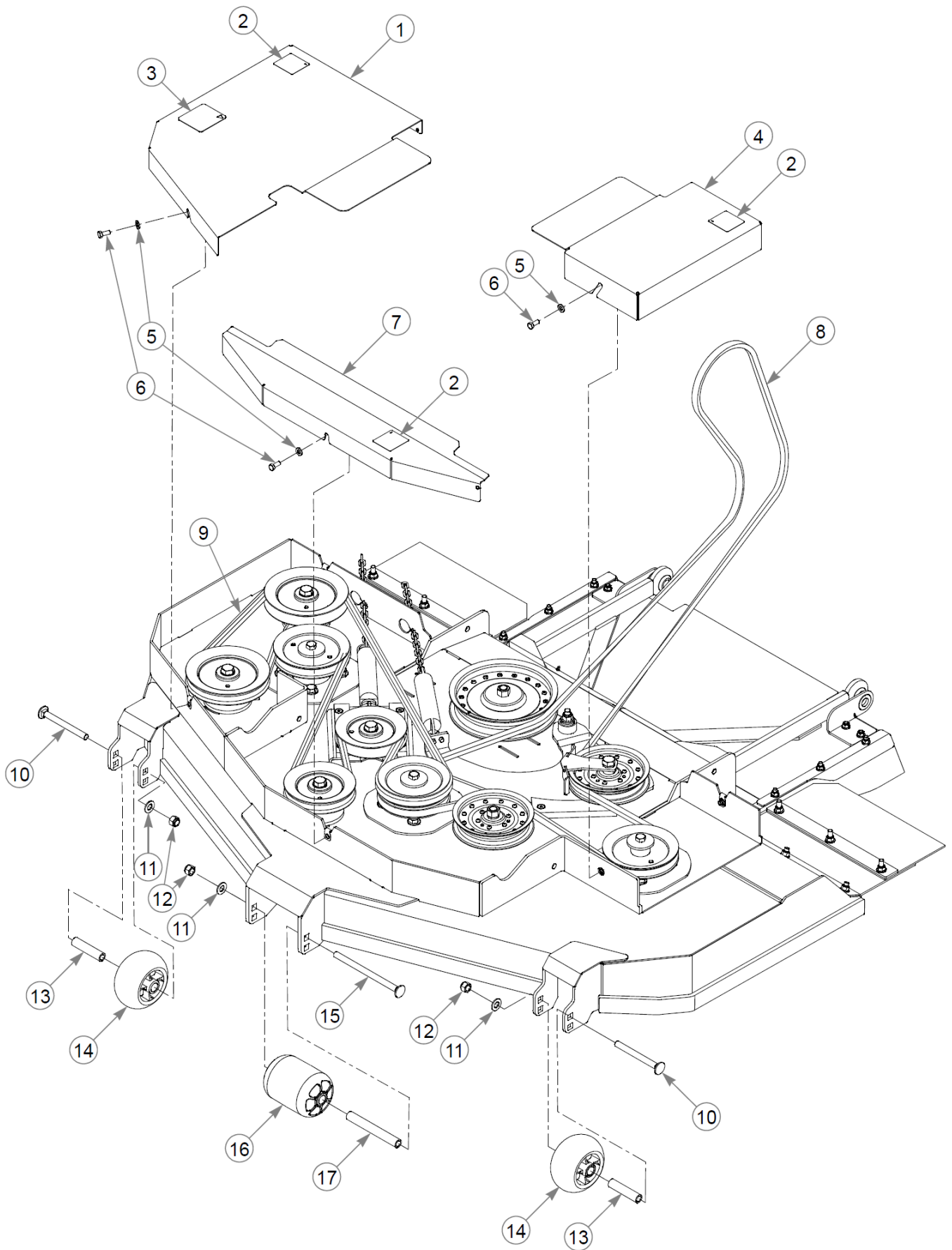
Elemento	Parte n.	Q.ta	Nome
1	025015	1	CS .625-11X2.500HXG5
2	028118	12	FW 0.625X1.00X.13 ZY
3	113088	1	BELT GUIDE, W/A
4	603256	1	SPACER DECK IDLER 1/2"LG
5	602935	2	DUST SHIELD, IDLER SM
6	602821	2	IDLER, 6.0" RIVETED
7	114133	1	IDLER ARM W/A, RD DECK
8	797910	2	CS .312-18x1.50FLT SH ZY
9	601779	1	IDLER GUIDE, UHMW
10	794446	1	CS .625-11X1.500HXG5
11	603057	4	DUST SHIELD W/OFFSET
12	602672	2	PULLEY, V-IDLER HBB 5.0"
13	373191	2	CHAIN, 21 LINK
14	781567	1	NT .500-13NLG5
15	767962	13	FW .531 x 1.063 x .175
16	770867	2	BUSHING, PLAS .750x1(FS)
17	109549	1	BUSHING, IDLER PIVOT
18	781302	2	IDLER SPRING
19	704759	1	FW 0.500X1.25X.08 ZY
20	784199	4	CS .312-18X1.250 FLT SH
21	016972	2	NT .625-11 HX G5 ZNYC
22	602963	1	DUST SHIELD, IDLER LG
23	602838	1	IDLER, 8.0" RIVETED
24	114105	1	IDLER SLIDE W/A
25	601619	2	IDLER SLIDE UHMW RT & LT
26	016642	3	CS .625-11X2.000HXG5
27	796714	2	PULLEY, 6" HB IDLER RD
28	768523	6	FW 0.343SAE
29	058776	6	NT .312-18NLG5
30	782474	1	CW .678 X 2.250 X .187
31	783738	1	CS .625-11X3.000HXG5
32	705954	1	CS .500-13X1.25 HX G5 ZY
33	017616	2	CS .500-13X1.750HXG5
34	752386	3	CW .515X 2.25X .204 BLK
35	602745	2	PULLEY, DRIVE 7.00 EFF
36	770388	1	PULLEY, (770388U) PTED
37	212472	3	KEY 1/4 SQ X 1.00 LG(FS)
38	045765	2	FW 1.030X1.50X.13 HD ZY



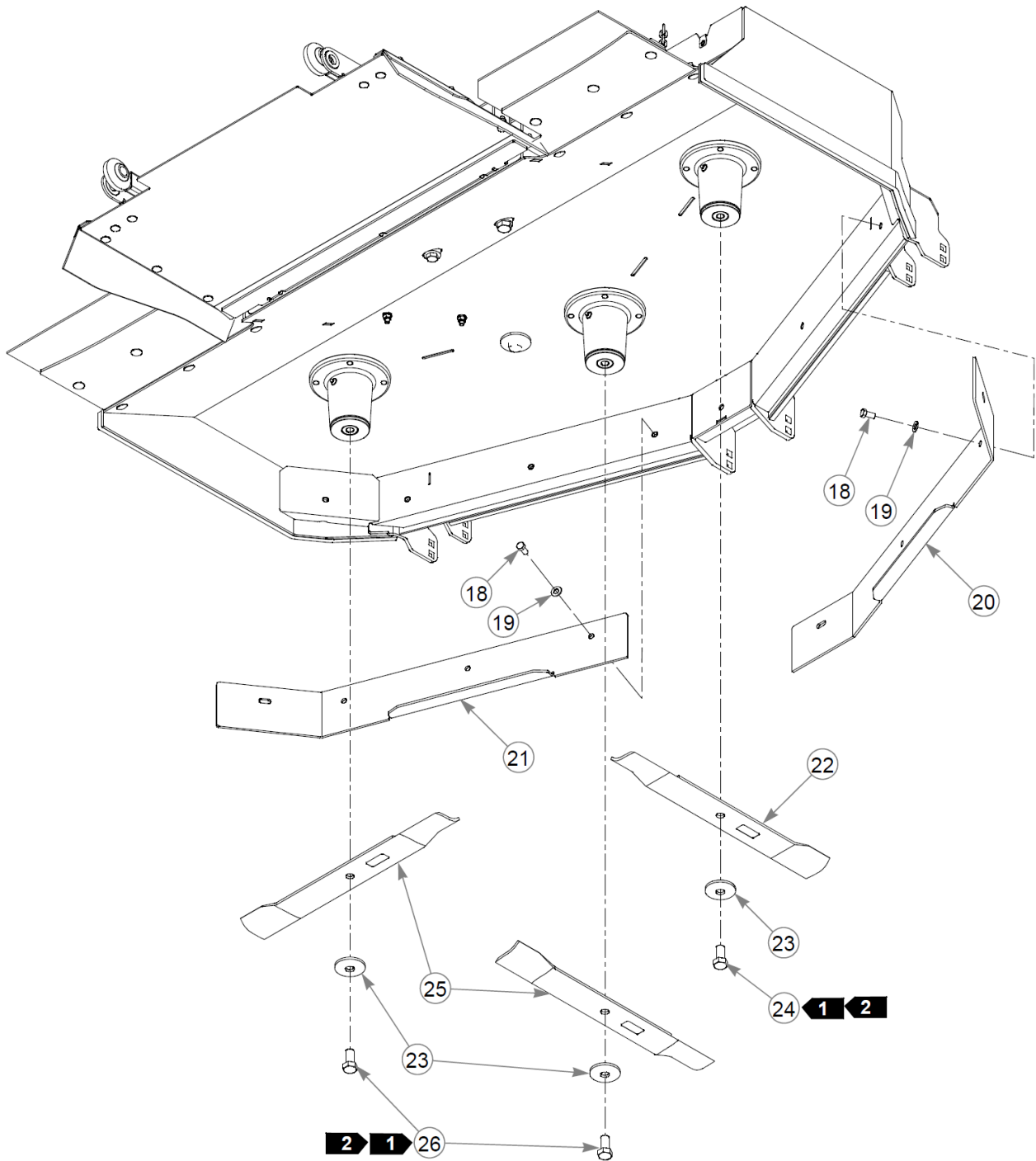
Elemento	Parte n.	Q.ta	Nome
39	016527	12	CS .500-13X1.000HXG5
40	114108	1	SPACER 3/8" THICK
41	604256	1	SPINDLE ASSY DUCTILE CCW
<p>Commenti per num parte 604256</p> <p>Spindle has no service parts available. Replace complete spindle assembly.</p>			
Not Shown	601819	1	SPINDLE ASSY, 3" PILOT
<p>Commenti per num parte 601819</p> <p>Spindle has no service parts available. Replace complete spindle assembly.</p>			
42	604255	2	SPINDLE ASSY, DUCTILE
<p>Commenti per num parte 604255</p> <p>Spindle has no service parts available. Replace complete spindle assembly.</p>			
Not Shown	601630	2	SPINDLE ASSY, 3" PILOT
<p>Commenti per num parte 601630</p> <p>Spindle has no service parts available. Replace complete spindle assembly.</p>			

Comments for Page: 60" RD - Deck Pulleys & Spindles (Multi-Page)

1. Torque to 65–75 ft-lbs. 2. Mowers with serial number 12100664 and higher use spindles 604255 and 604256. Mowers with serial numbers prior to 12100664 use spindles 601819 and 601630.

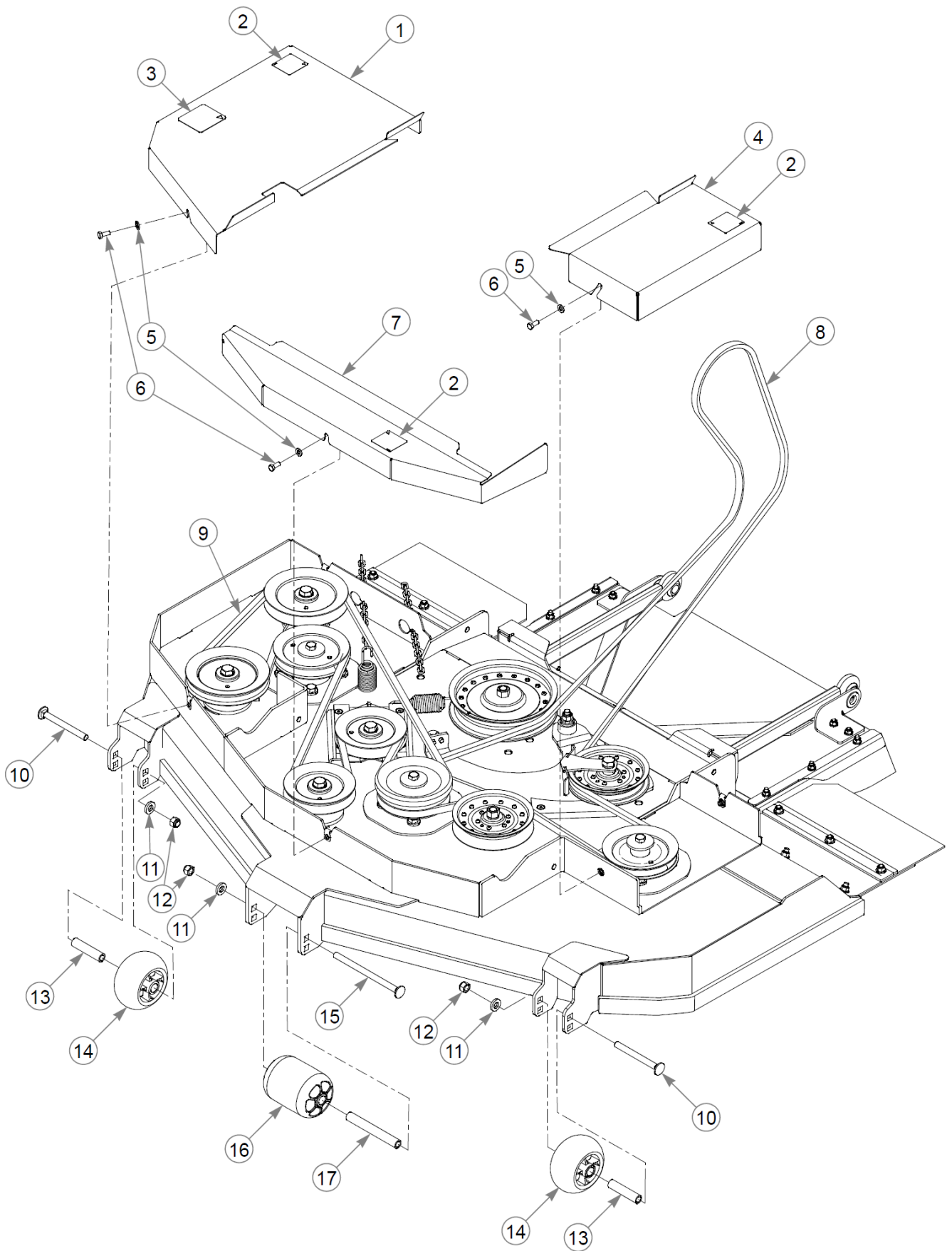


Elemento	Parte n.	Q.ta	Nome
1	550937	1	SVC PULLEY COVER RS CE
2	602562	3	DECAL, NO SERVICE
3	601837	1	DECAL, DECK DANGERS
4	550936	1	SVC PULLEY COVER LS CE
5	768523	5	FW 0.343SAE
6	034280	5	CS .312-18X0.750HXG5
7	550938	1	SVC PULLEY COVER CNT CE
8	602854	1	BELT HB-SECTION 183.60"
9	603397	1	BELT, BB-SECTION
10	603049	2	CB .500-13 X 5.00 ZNYC
11	767962	3	FW .531 x 1.063 x .175
12	781567	3	NT .500-13NLG5
13	602345	2	SPACER, ANTI-SCALP 3.22
14	602263	2	WHEEL, ANTI-SCALP
15	602338	1	CB .50-13 X 7.50 STD ZN
16	602341	1	WHEEL, ANTI-SCALP
17	602344	1	SPACER, ANTI- SCALP 5.73
18	055822	8	CS .375-16X0.75 HX G5 ZY
19	767954	8	FW 0.379X.82X.06 HD ZY
20	114206	1	BAFFLE, ADJ 60 RD CE RS
21	114207	1	BAFFLE, ADJ 60 RD CE LS
22	795633	1	BLADE, F20.50"-L-F-CCW
Not Shown	601928	2	BLADE, 20.5"GAT-F-CCW
23	782474	3	CW .678 X 2.250 X .187
24	604383	1	CS .625-11X1.250 G5 LHT
Not Shown	601999	1	CS .625-11 X 2.25 LH H5Y
25	600901	2	BLADE, F20.50"-L-F-CW
Not Shown	794230	2	BLADE,20.50"GAT-F-CW
26	781872	2	CS .625-11X1.250HXG5
Not Shown	601983	2	CS .625-11 X 2.25 HXG5ZY

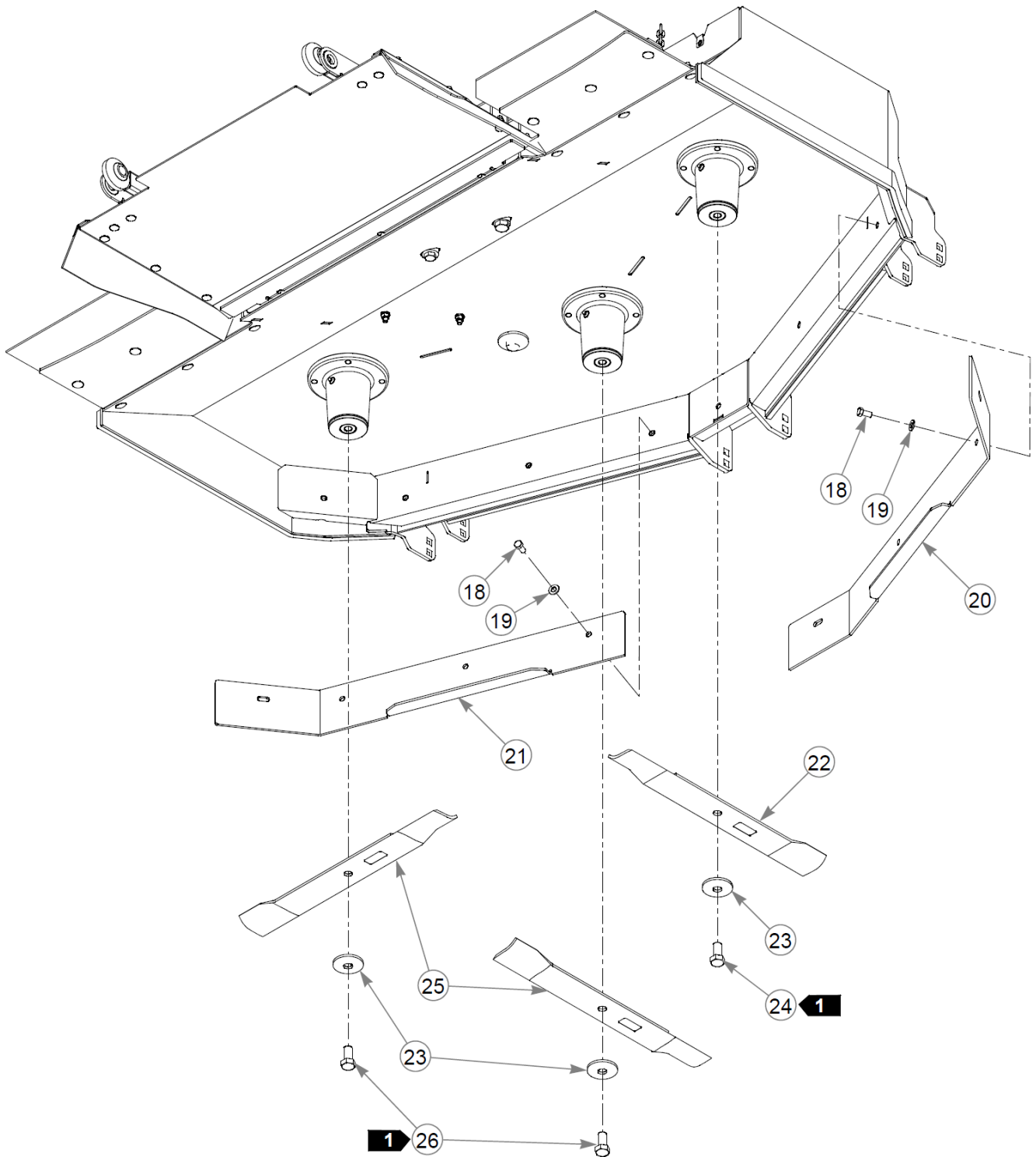


Comments for Page: 60" RD - S/N Prior to 16033426 - Deck Belt, Pulley Covers & Blades (Multi-Page)

1. Torque to 160 N•m.
2. Mowers with serial numbers 12100664 - 16033426 use bolts 781872 and 604383.
Mowers with serial numbers prior to 12100664 use bolts 601999 and 601983.
3. The pulley covers include decals.

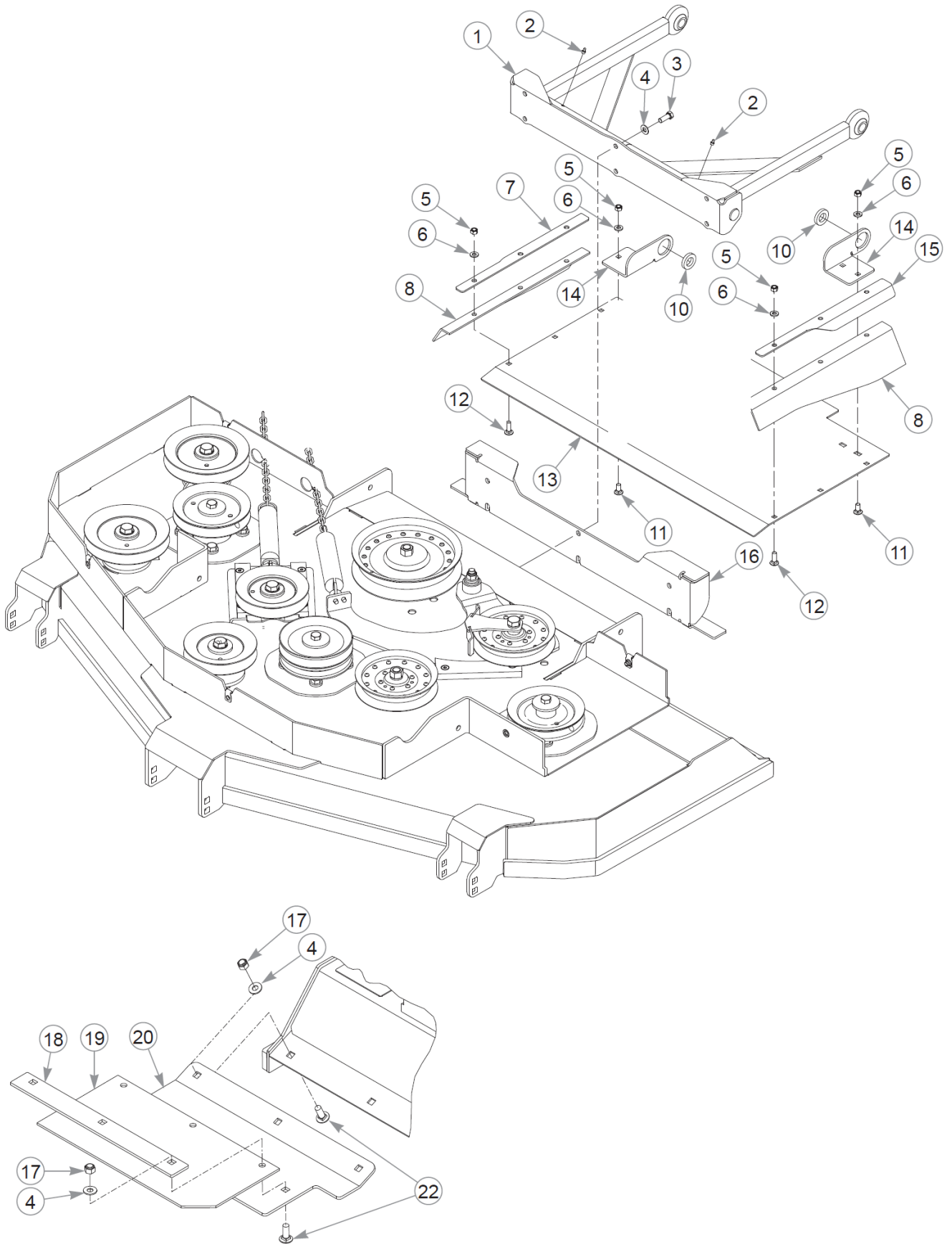


Elemento	Parte n.	Q.ta	Nome
1	553293	1	SERVICE GUARD, RH
2	602562	3	DECAL, NO SERVICE
3	601837	1	DECAL, DECK DANGERS
4	553289	1	SERVICE GUARD, LH
5	768523	5	FW 0.343SAE
6	034280	5	CS .312-18X0.750HXG5
7	553290	1	SERVICE GUARD
8	602854	1	BELT HB-SECTION 183.60"
9	603397	1	BELT, BB-SECTION
10	603049	2	CB .500-13 X 5.00 ZNYC
11	767962	3	FW .531 x 1.063 x .175
12	781567	3	NT .500-13NLG5
13	602345	2	SPACER, ANTI-SCALP 3.22
14	602263	2	WHEEL, ANTI-SCALP
15	602338	1	CB .50-13 X 7.50 STD ZN
16	602341	1	WHEEL, ANTI-SCALP
17	602344	1	SPACER, ANTI- SCALP 5.73
18	055822	8	CS .375-16X0.75 HX G5 ZY
19	767954	8	FW 0.379X.82X.06 HD ZY
20	114206	1	BAFFLE, ADJ 60 RD CE RS
21	114207	1	BAFFLE, ADJ 60 RD CE LS
22	795633	1	BLADE, F20.50"-L-F-CCW
Not Shown	601928	2	BLADE, 20.5"GAT-F-CCW
23	782474	3	CW .678 X 2.250 X .187
24	604383	1	CS .625-11X1.250 G5 LHT
25	600901	2	BLADE, F20.50"-L-F-CW
Not Shown	794230	2	BLADE,20.50"GAT-F-CW
26	781872	2	CS .625-11X1.250HXG5

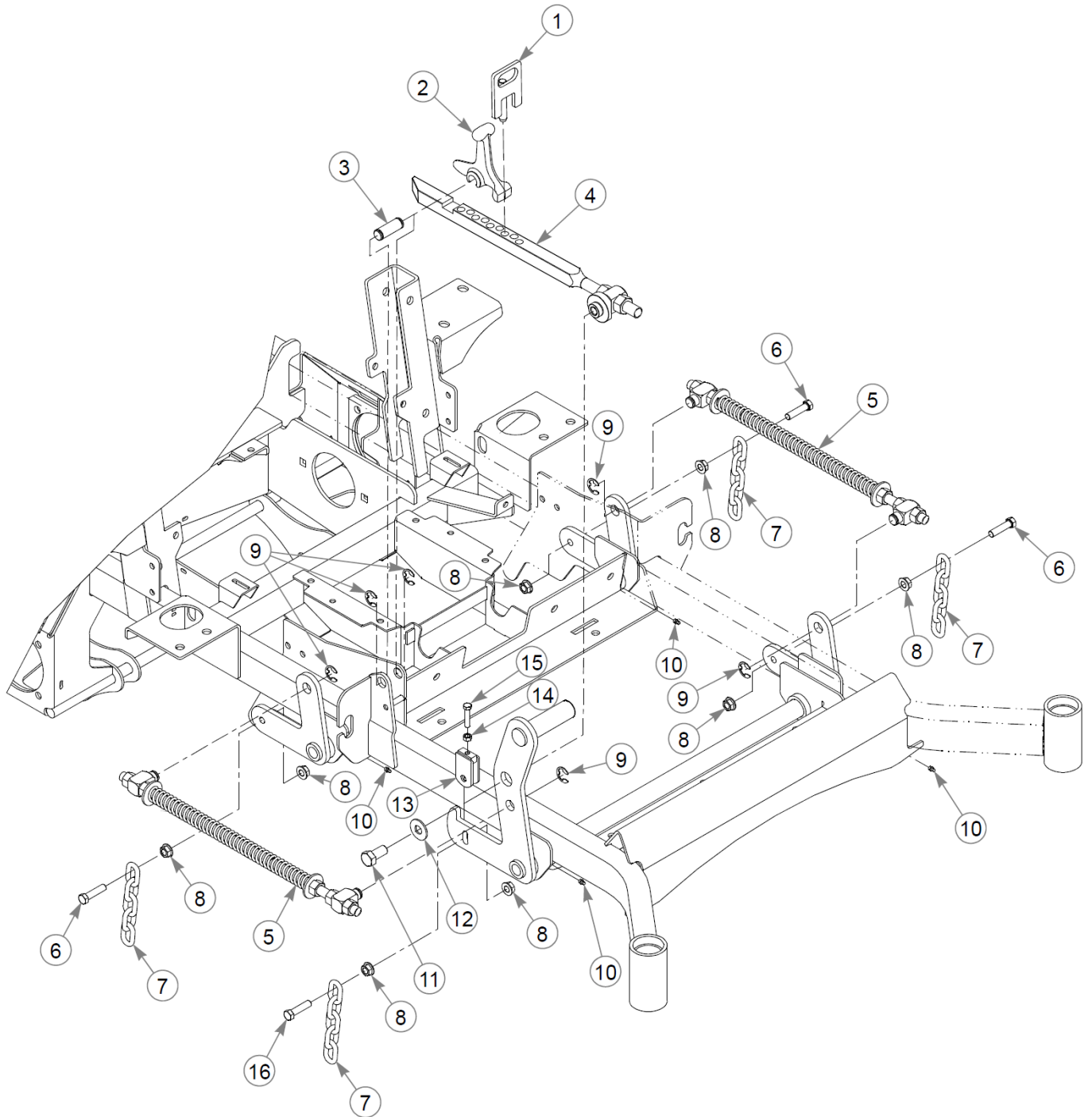


Comments for Page: 60" RD - S/N 16033426 & Higher - Deck Belt, Pulley Covers & Blades (Multi-Page)

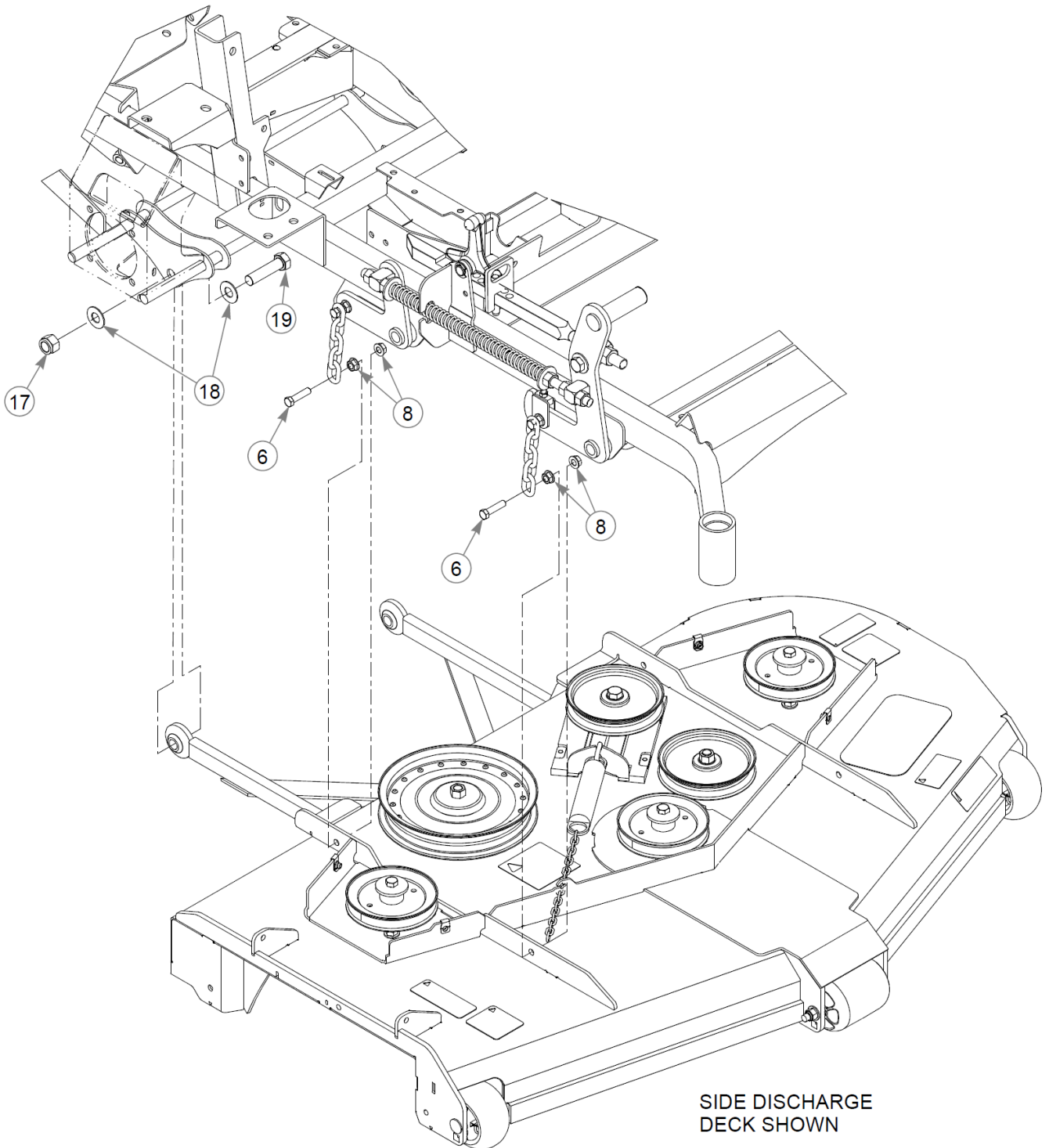
1. Torque to 160 N•m.
2. The pulley covers include decals.



Elemento	Parte n.	Q.ta	Nome
1	113340	1	PUSHER W/A, HZ/SZ
2	015495	2	GREASE FITTING STRAIGHT
3	036244	6	CS .375-16X1.00 HX G5 ZY
4	767954	18	FW 0.379X.82X.06 HD ZY
5	058776	10	NT .312-18NLG5
6	768523	10	FW 0.343SAE
7	109487	1	CLAMP ANGLE RS
8	601483	2	SIDE FLAP, RUBBER
9	109483	1	CHUTE BRACKET
10	778399	2	FW .781X1.38X.25 ZY
11	016253	4	CB .312-18X .750 FUL ZN
12	037887	6	CB .312-18X .750 FUL ZN
13	115533	1	SHIELD, DISCHARGE RD
14	109482	1	CHUTE BRACKET
15	109486	1	CLAMP ANGLE LS
16	114522	1	STOP, REAR DECK W/A
17	086660	12	NT .375-16NLG8
18	110182	2	FLAP HOLD DOWN
19	601717	2	RUBBER DISCHARGE FLAP
20	110181	1	FLAP EXT, LH 60"HDZ RD
21	110180	1	FLAP EXT, RH 60"HDZ RD
22	025395	12	CB .375-16X 1.00 G5 ZNY

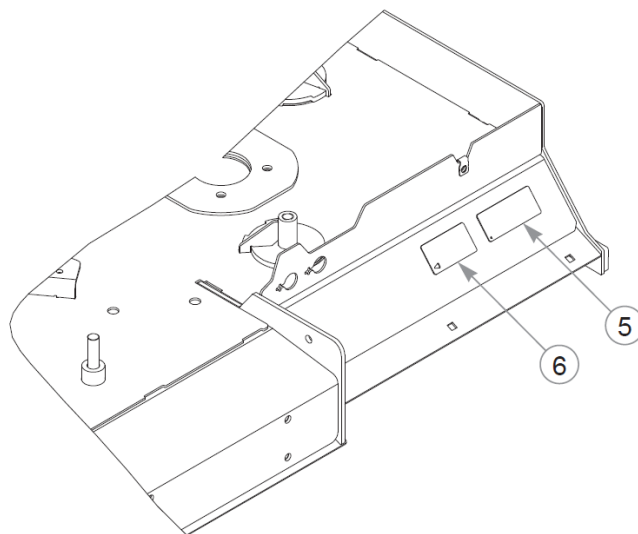
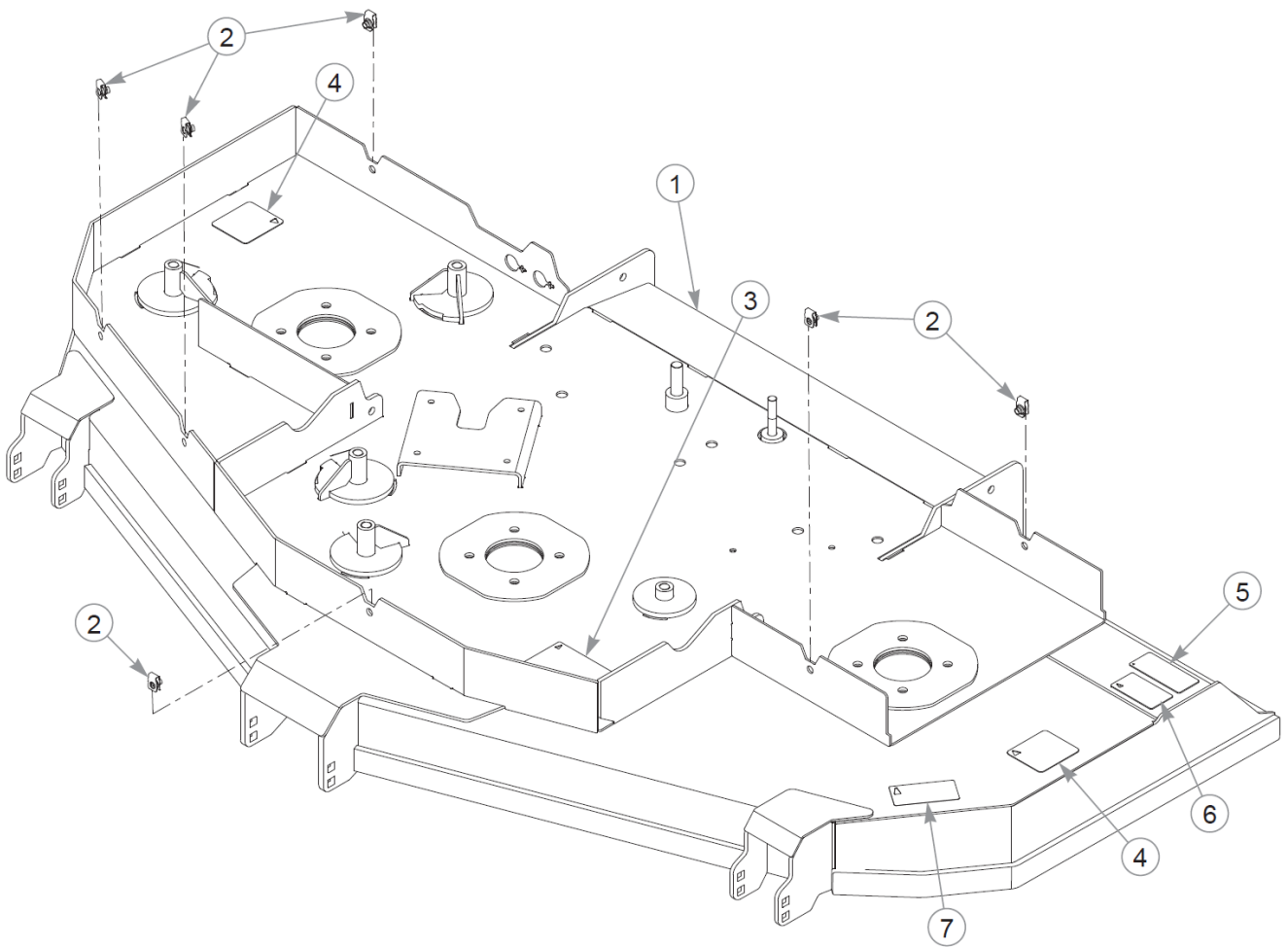


Elemento	Parte n.	Q.ta	Nome
1	600437	1	PIN, DECK HEIGHT W/A
2	348318	1	HANDLE, STOP
3	781229	1	CE .750X2.25 X1.75 HEAD
4	602898	1	DECK LIFT
5	603184	2	DECK LIFT SPRING S/A
6	055749	7	CS .437-14X1.750HXG5
7	348391	4	CHAIN, DECK LIFT
8	704643	16	NT .437-14FLKG5
9	781294	6	CLIP E, 1.00 X.625X .05
10	015495	4	GREASE FITTING STRAIGHT
11	781872	1	CS .625-11X1.250HXG5
12	704783	1	FW 0.625X1.500X0.105
13	348458	1	YOKE W/A, DECK LEVELER
14	034272	1	NT .312-18HXG5
15	756270	1	CS .312-18X1.500HXG5
16	781831	1	CS .437-14x1.75 FULTHG5
17	061101	2	NT .750-10 HX ZY NL GR B
18	025296	4	FW .760X1.63X0.08 ZY
19	051169	2	CS .750-10X3.000HXG5
Not Shown	789115	2	CS .750-10X3.500HXG5



Comments for Page: 60" / 72" RD - Deck Lift & Mounting Hardware (Multi-Page)

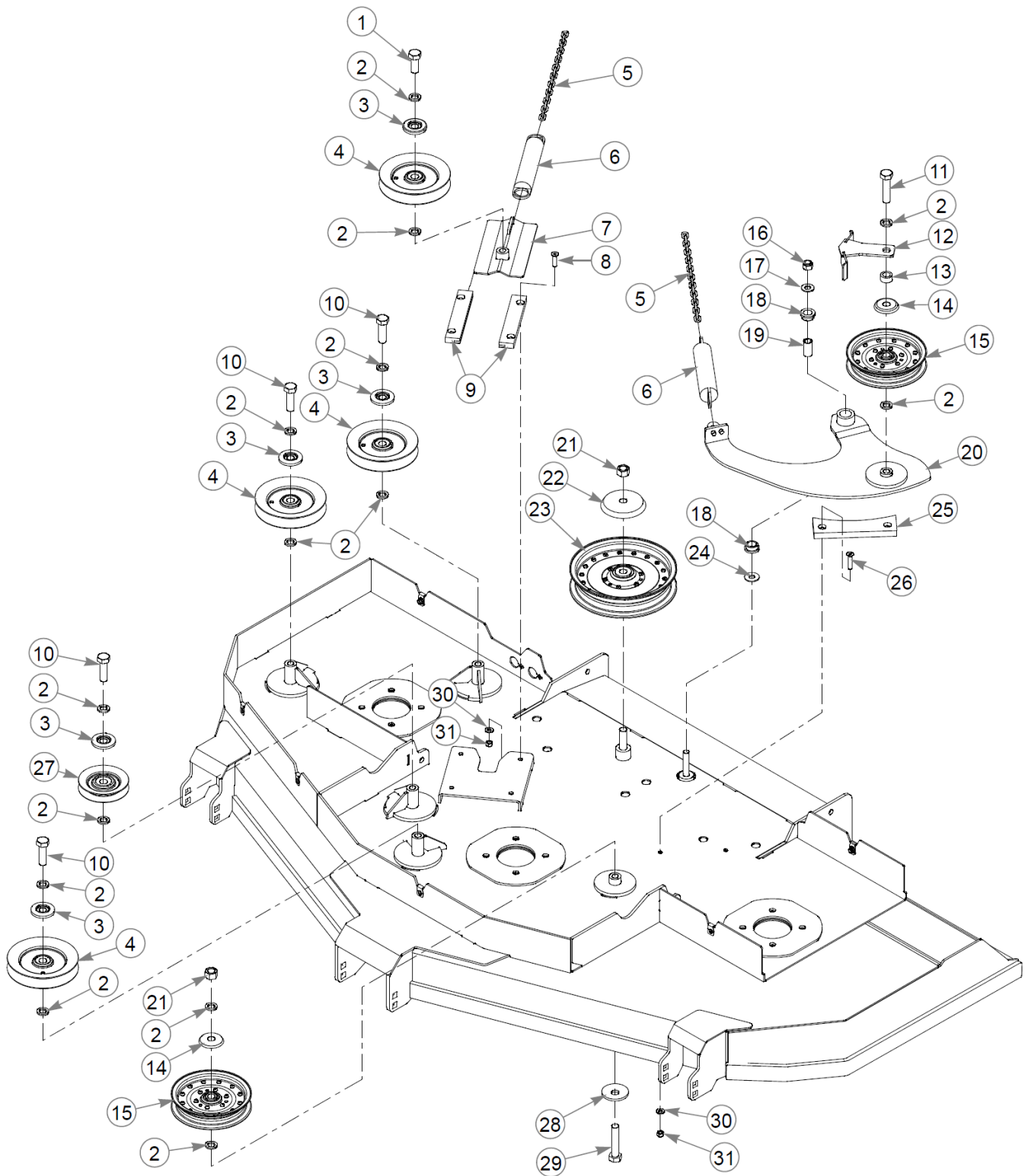
1. 051169 is used on side discharge decks.
2. 789115 is used on rear discharge decks.



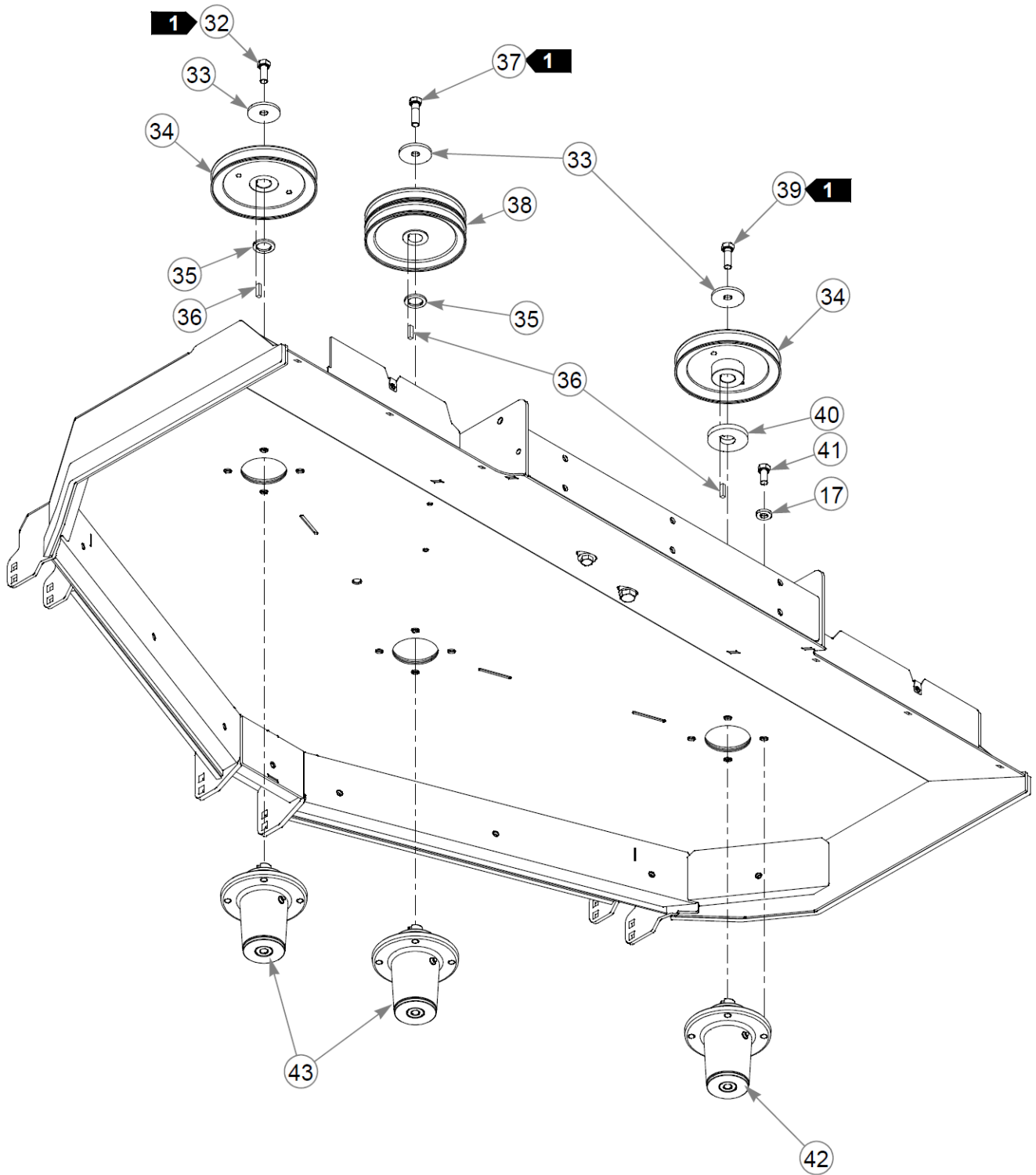
Elemento	Parte n.	Q.ta	Nome
1	551049	1	SVC DECK DECAL 72" RD
2	601069	6	CN .312-18x.200 MAX THK
3	603349	1	DECAL, 2 BELT ROUTING
4	601837	2	DECAL, DECK DANGERS
5	601892	2	DECAL, THROWN OBJECTS
6	603391	2	DECAL, RUBBER FLAP
7	786285	1	DECAL, 72 DECK ID

Comments for Page: 72" RD - Service Deck

1. The deck includes decals and hardware.



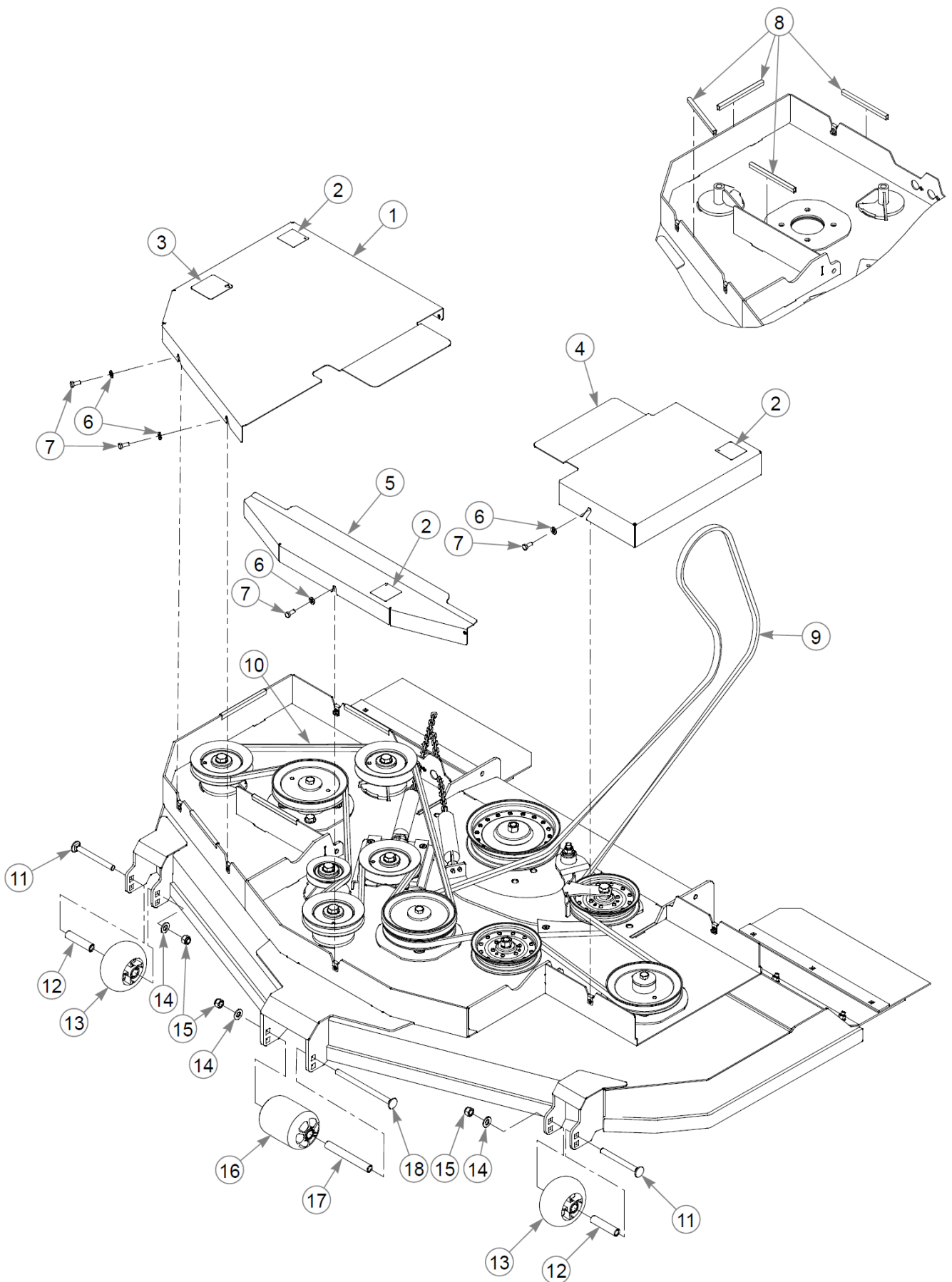
Elemento	Parte n.	Q.ta	Nome
1	794446	1	CS .625-11X1.500HXG5
2	028118	14	FW 0.625X1.00X.13 ZY
3	603057	5	DUST SHIELD W/OFFSET
4	602672	4	PULLEY, V-IDLER HBB 5.0"
5	373191	2	CHAIN, 21 LINK
6	781302	2	IDLER SPRING
7	114105	1	IDLER SLIDE W/A
8	784199	4	CS .312-18X1.250 FLT SH
9	601619	2	IDLER SLIDE UHMW RT & LT
10	016642	4	CS .625-11X2.000HXG5
11	025015	1	CS .625-11X2.500HXG5
12	113088	1	BELT GUIDE, W/A
13	603256	1	SPACER DECK IDLER 1/2"LG
14	602935	2	DUST SHIELD, IDLER SM
15	602821	2	IDLER, 6.0" RIVETED
16	781567	1	NT .500-13NLG5
17	767962	13	FW .531 x 1.063 x .175
18	770867	2	BUSHING, PLAS .750x1(FS)
19	109549	1	BUSHING, IDLER PIVOT
20	114133	1	IDLER ARM W/A, RD DECK
21	016972	2	NT .625-11 HX G5 ZNYC
22	602963	1	DUST SHIELD, IDLER LG
23	602838	1	IDLER, 8.0" RIVETED
24	704759	1	FW 0.500X1.25X.08 ZY
25	601779	1	IDLER GUIDE, UHMW
26	797910	2	CS .312-18x1.50FLT SH ZY
27	788364	1	IDLER PULLEY, NHI 4.288"
28	782474	1	CW .678 X 2.250 X .187
29	783738	1	CS .625-11X3.000HXG5
30	768523	6	FW 0.343SAE
31	058776	6	NT .312-18NLG5
32	705954	1	CS .500-13X1.25 HX G5 ZY
33	752386	3	CW .515X 2.25X .204 BLK
34	602745	2	PULLEY, DRIVE 7.00 EFF
35	045765	2	FW 1.030X1.50X.13 HD ZY
36	212472	3	KEY 1/4 SQ X 1.00 LG(FS)
37	017616	1	CS .500-13X1.750HXG5
38	770388	1	PULLEY, (770388U) PTED



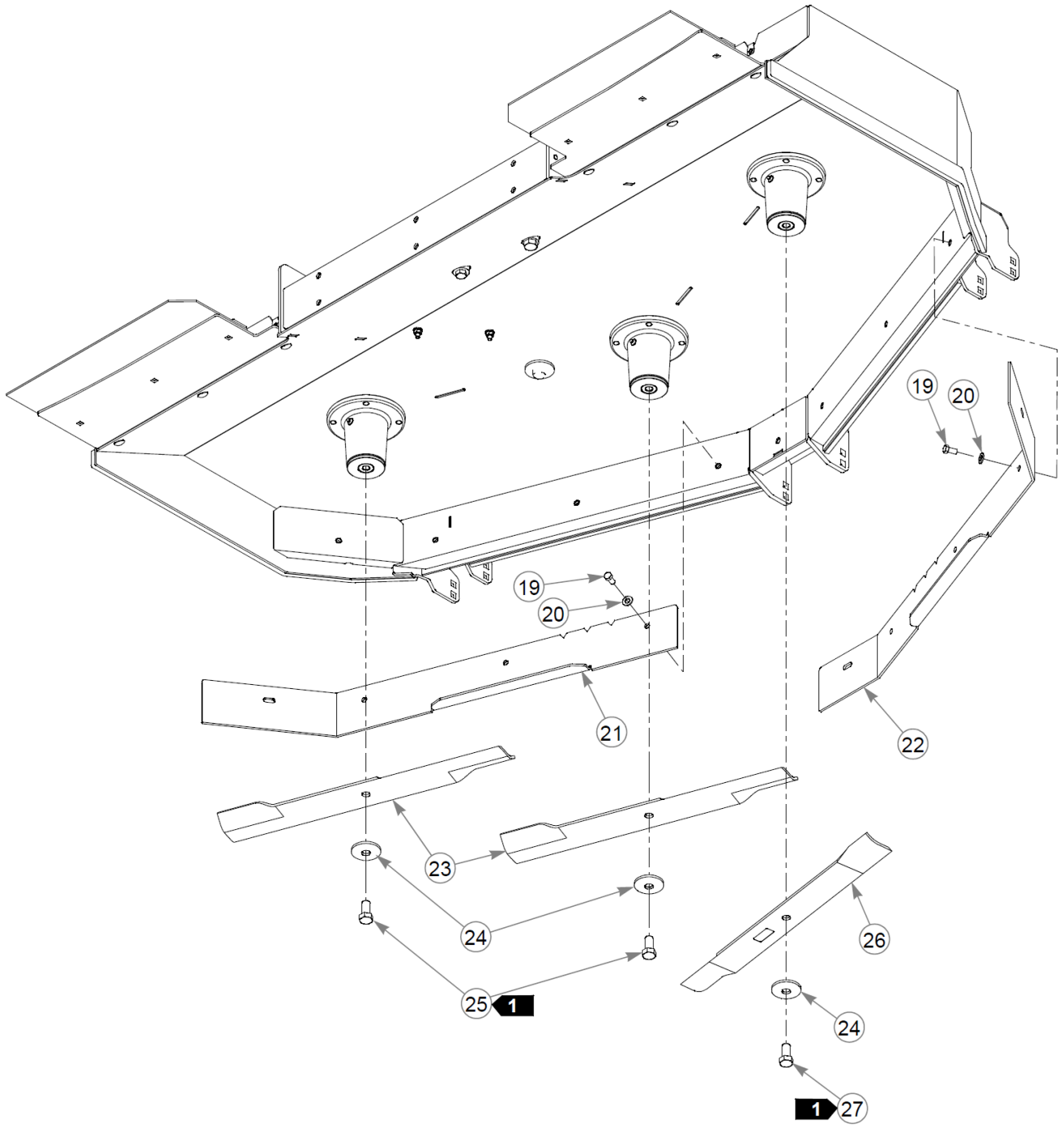
Elemento	Parte n.	Q.ta	Nome
39	074252	1	CS .500-13X1.50 HX G5 ZY
40	114108	1	SPACER 3/8" THICK
41	016527	12	CS .500-13X1.000HXG5
42	604256	1	SPINDLE ASSY DUCTILE CCW
<p>Commenti per num parte 604256</p> <p>Spindle has no service parts available. Replace complete spindle assembly.</p>			
43	604255	2	SPINDLE ASSY, DUCTILE
<p>Commenti per num parte 604255</p> <p>Spindle has no service parts available. Replace complete spindle assembly.</p>			

Comments for Page: 72" RD - Deck Pulleys & Spindles (Multi-Page)

1. Torque to 88–102 N•m.

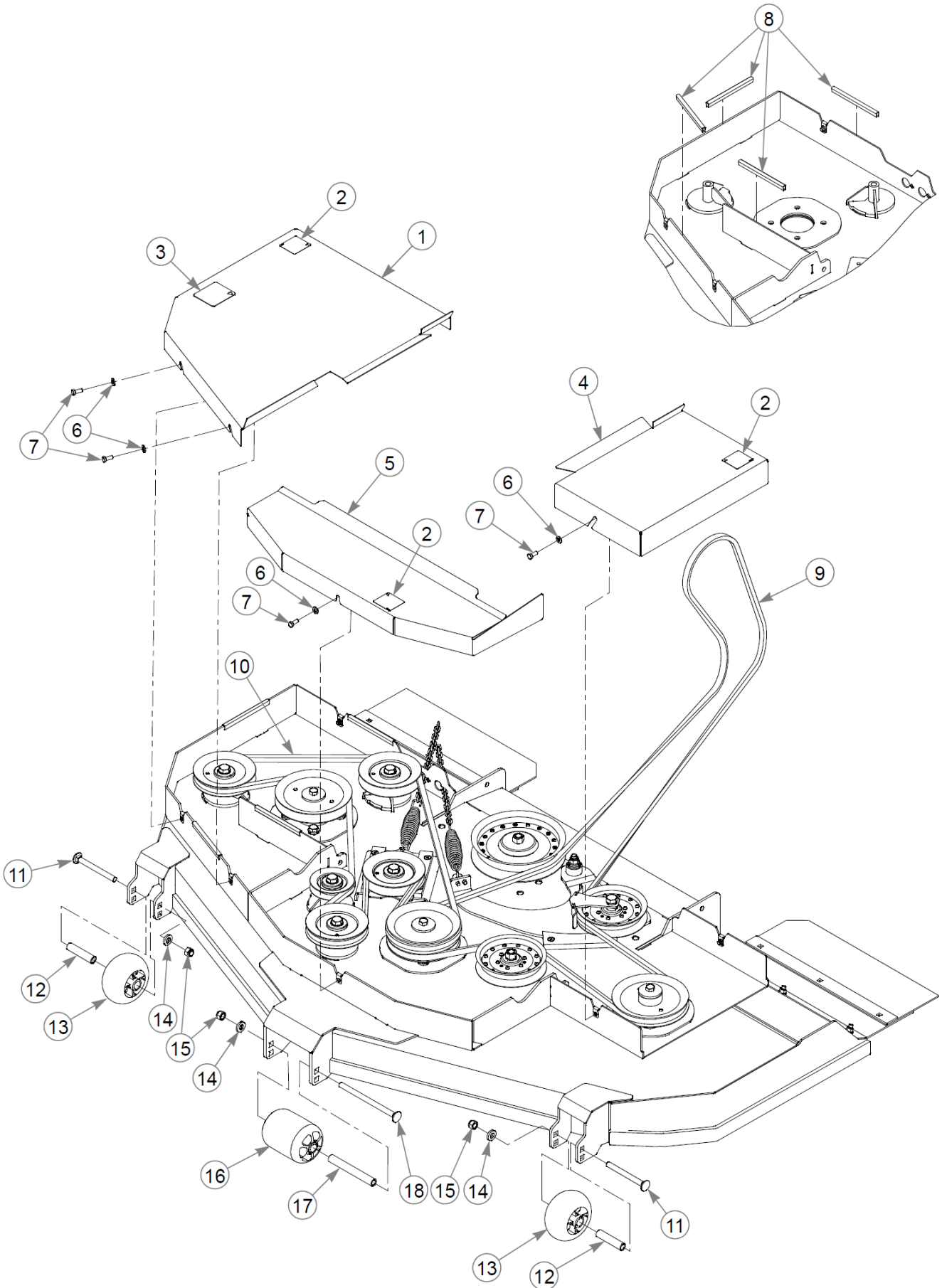


Elemento	Parte n.	Q.ta	Nome
1	551410	1	SVC PULLEY COVER RS CE
2	602562	3	DECAL, NO SERVICE
3	601837	1	DECAL, DECK DANGERS
4	551409	1	SVC PULLEY COVER LS CE
5	550938	1	SVC PULLEY COVER CNT CE
6	768523	6	FW 0.343SAE
7	034280	6	CS .312-18X0.750HXG5
8	111339	4	TRIM, FLEX 6" length
9	603522	1	BELT, B-SEC
10	603397	1	BELT, BB-SECTION
11	603049	2	CB .500-13 X 5.00 ZNYC
12	602345	2	SPACER, ANTI-SCALP 3.22
13	602263	2	WHEEL, ANTI-SCALP
14	767962	3	FW .531 x 1.063 x .175
15	781567	3	NT .500-13NLG5
16	602341	1	WHEEL, ANTI-SCALP
17	602344	1	SPACER, ANTI- SCALP 5.73
18	602338	1	CB .50-13 X 7.50 STD ZN
19	055822	9	CS .375-16X0.75 HX G5 ZY
20	767954	9	FW 0.379X.82X.06 HD ZY
21	115902	1	BAFFLE RS CE
22	115903	1	BAFFLE, LS CE
23	796839	2	BLADE, F23.86-L-F-CW
Not Shown	794867	1	BLADE, 23.86"-GAT-F-CW
24	782474	3	CW .678 X 2.250 X .187
25	781872	2	CS .625-11X1.250HXG5
26	796508	1	BLADE, F23.86-L-F-CCW
Not Shown	601929	1	BLADE, 23.86" GAT-F-CCW
Not Shown	796508	1	BLADE, F23.86-L-F-CCW
27	604383	1	CS .625-11X1.250 G5 LHT

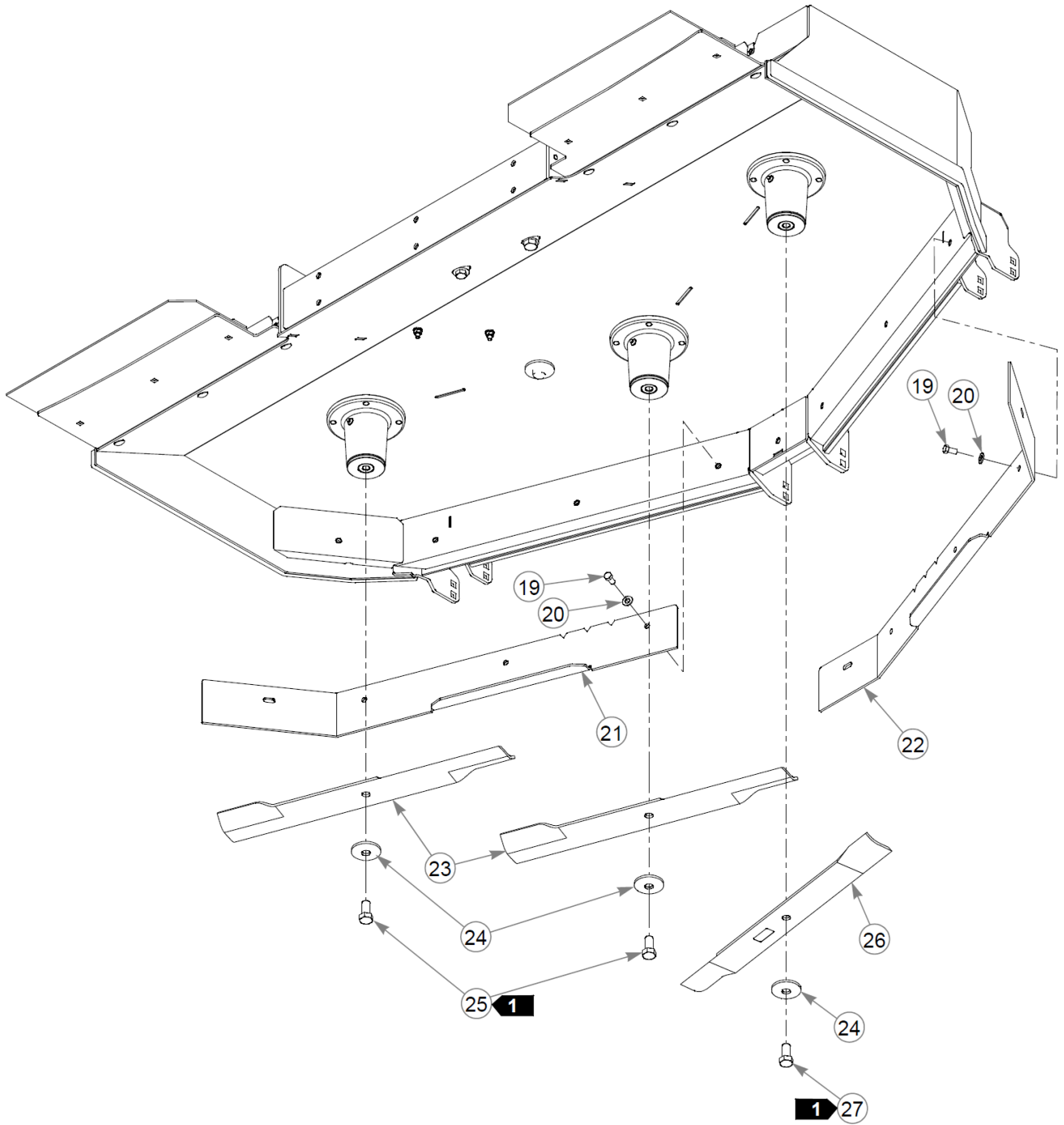


Comments for Page: 72" RD - S/N Prior to 16024260 - Deck Belt, Pulley Covers & Blades (Multi-Page)

1. Torque to 160 N•m.

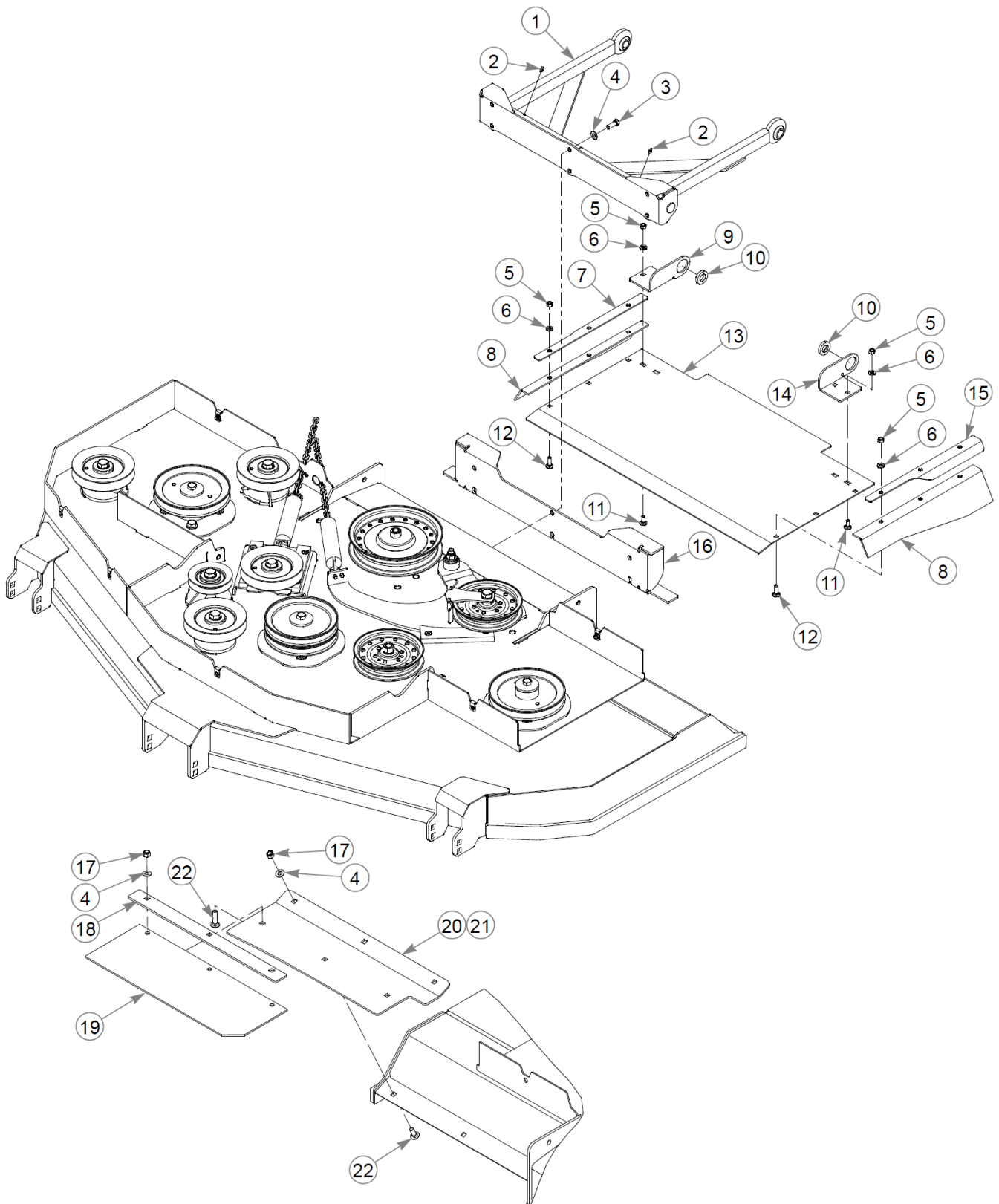


Elemento	Parte n.	Q.ta	Nome
1	553279	1	SERVICE GUARD, RH
2	602562	3	DECAL, NO SERVICE
3	601837	1	DECAL, DECK DANGERS
4	553278	1	SERVICE GUARD, LH
5	553281	1	SERVICE GUARD
6	768523	6	FW 0.343SAE
7	034280	6	CS .312-18X0.750HXG5
8	111339	4	TRIM, FLEX 6" length
9	603522	1	BELT, B-SEC
10	603397	1	BELT, BB-SECTION
11	603049	2	CB .500-13 X 5.00 ZNYC
12	602345	2	SPACER, ANTI-SCALP 3.22
13	602263	2	WHEEL, ANTI-SCALP
14	767962	3	FW .531 x 1.063 x .175
15	781567	3	NT .500-13NLG5
16	602341	1	WHEEL, ANTI-SCALP
17	602344	1	SPACER, ANTI- SCALP 5.73
18	602338	1	CB .50-13 X 7.50 STD ZN
19	055822	9	CS .375-16X0.75 HX G5 ZY
20	767954	9	FW 0.379X.82X.06 HD ZY
21	115902	1	BAFFLE RS CE
22	115903	1	BAFFLE, LS CE
23	796839	2	BLADE, F23.86-L-F-CW
24	782474	3	CW .678 X 2.250 X .187
25	781872	2	CS .625-11X1.250HXG5
26	796508	1	BLADE, F23.86-L-F-CCW
27	604383	1	CS .625-11X1.250 G5 LHT

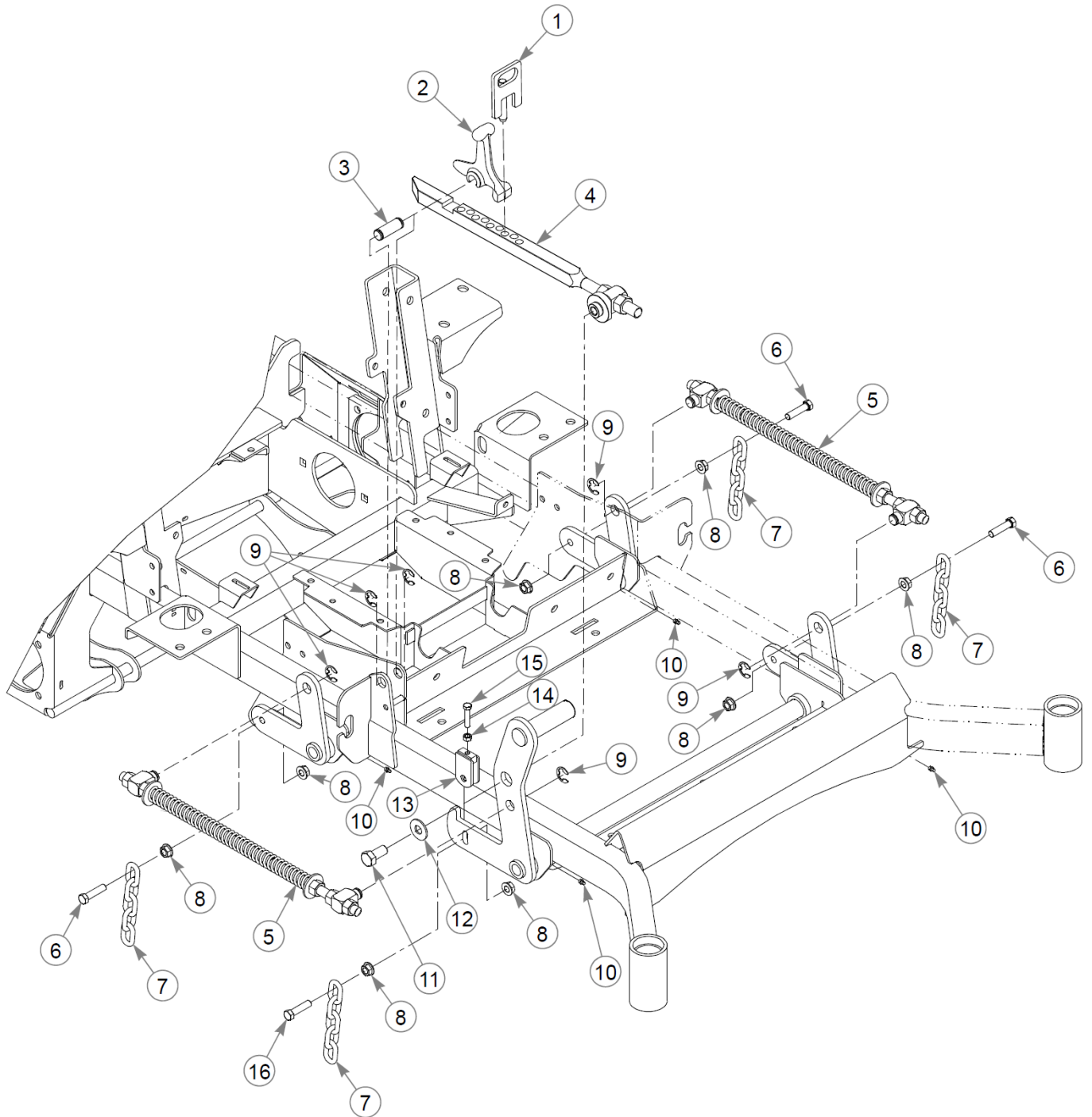


Comments for Page: 72" RD - S/N 16024260 & Higher - Deck Belt, Pulley Covers & Blades (Multi-Page)

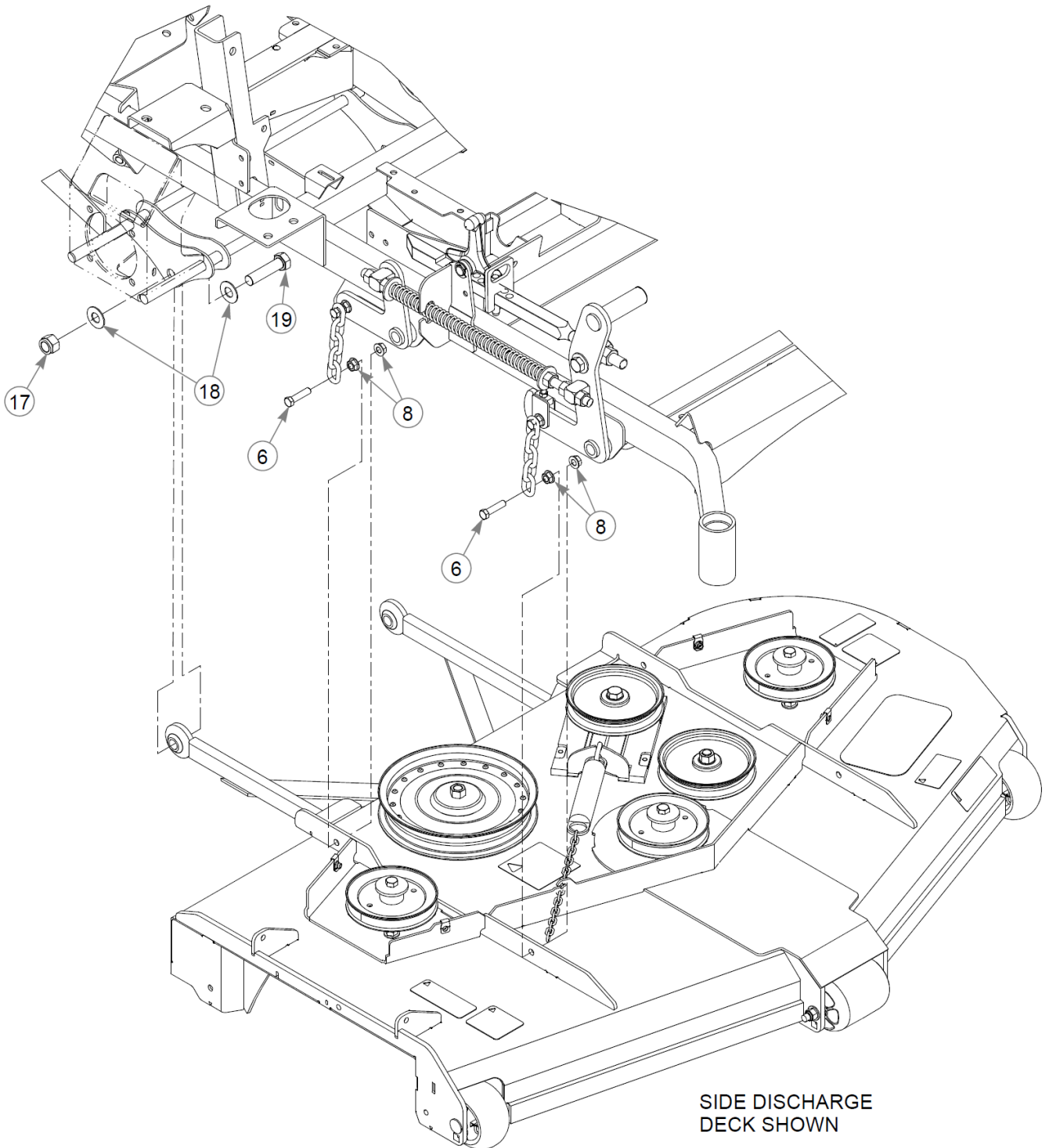
1. Torque to 160 N•m.



Elemento	Parte n.	Q.ta	Nome
1	113340	1	PUSHER W/A, HZ/SZ
2	015495	2	GREASE FITTING STRAIGHT
3	036244	6	CS .375-16X1.00 HX G5 ZY
4	767954	18	FW 0.379X.82X.06 HD ZY
5	058776	10	NT .312-18NLG5
6	768523	10	FW 0.343SAE
7	109487	1	CLAMP ANGLE RS
8	601483	2	SIDE FLAP, RUBBER
9	109483	1	CHUTE BRACKET
10	778399	2	FW .781X1.38X.25 ZY
11	016253	4	CB .312-18X .750 FUL ZN
12	037887	6	CB .312-18X .750 FUL ZN
13	115533	1	SHIELD, DISCHARGE RD
14	109482	1	CHUTE BRACKET
15	109486	1	CLAMP ANGLE LS
16	114522	1	STOP, REAR DECK W/A
17	086660	12	NT .375-16NLG8
18	110473	2	CLAMP BRACKET
19	601697	2	RUBBER DISCHARGE FLAP
20	110471	1	EXTENSION BRACKET,RH 72"
21	110472	1	EXTENSTION BRACKET, LH72
22	025395	12	CB .375-16X 1.00 G5 ZNY



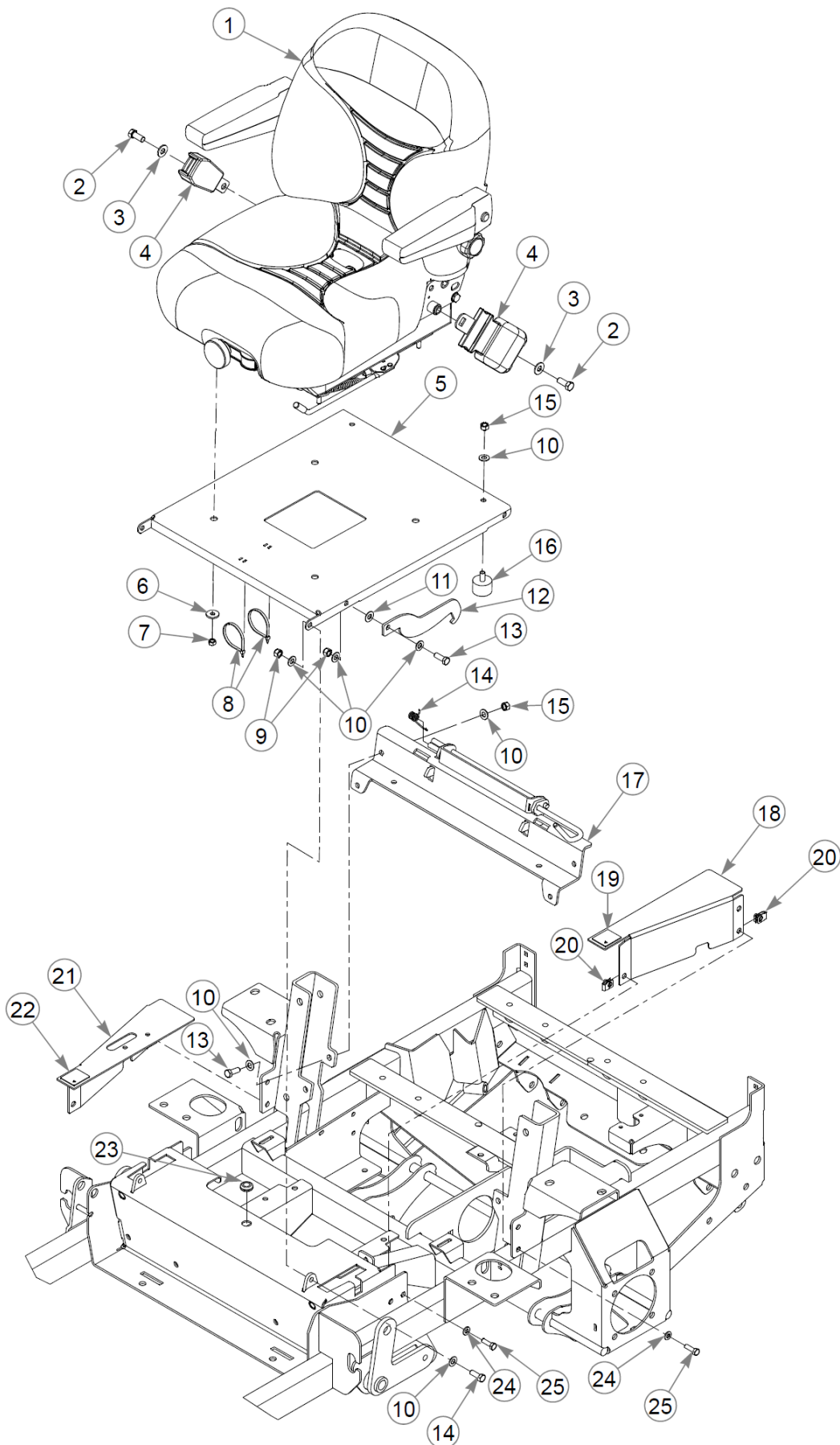
Elemento	Parte n.	Q.ta	Nome
1	600437	1	PIN, DECK HEIGHT W/A
2	348318	1	HANDLE, STOP
3	781229	1	CE .750X2.25 X1.75 HEAD
4	602898	1	DECK LIFT
5	603184	2	DECK LIFT SPRING S/A
6	055749	7	CS .437-14X1.750HXG5
7	348391	4	CHAIN, DECK LIFT
8	704643	16	NT .437-14FLKG5
9	781294	6	CLIP E, 1.00 X.625X .05
10	015495	4	GREASE FITTING STRAIGHT
11	781872	1	CS .625-11X1.250HXG5
12	704783	1	FW 0.625X1.500X0.105
13	348458	1	YOKE W/A, DECK LEVELER
14	034272	1	NT .312-18HXG5
15	756270	1	CS .312-18X1.500HXG5
16	781831	1	CS .437-14x1.75 FULTHG5
17	061101	2	NT .750-10 HX ZY NL GR B
18	025296	4	FW .760X1.63X0.08 ZY
19	051169	2	CS .750-10X3.000HXG5
Not Shown	789115	2	CS .750-10X3.500HXG5



SIDE DISCHARGE
DECK SHOWN

Comments for Page: 60" / 72" RD - Deck Lift & Mounting Hardware (Multi-Page)

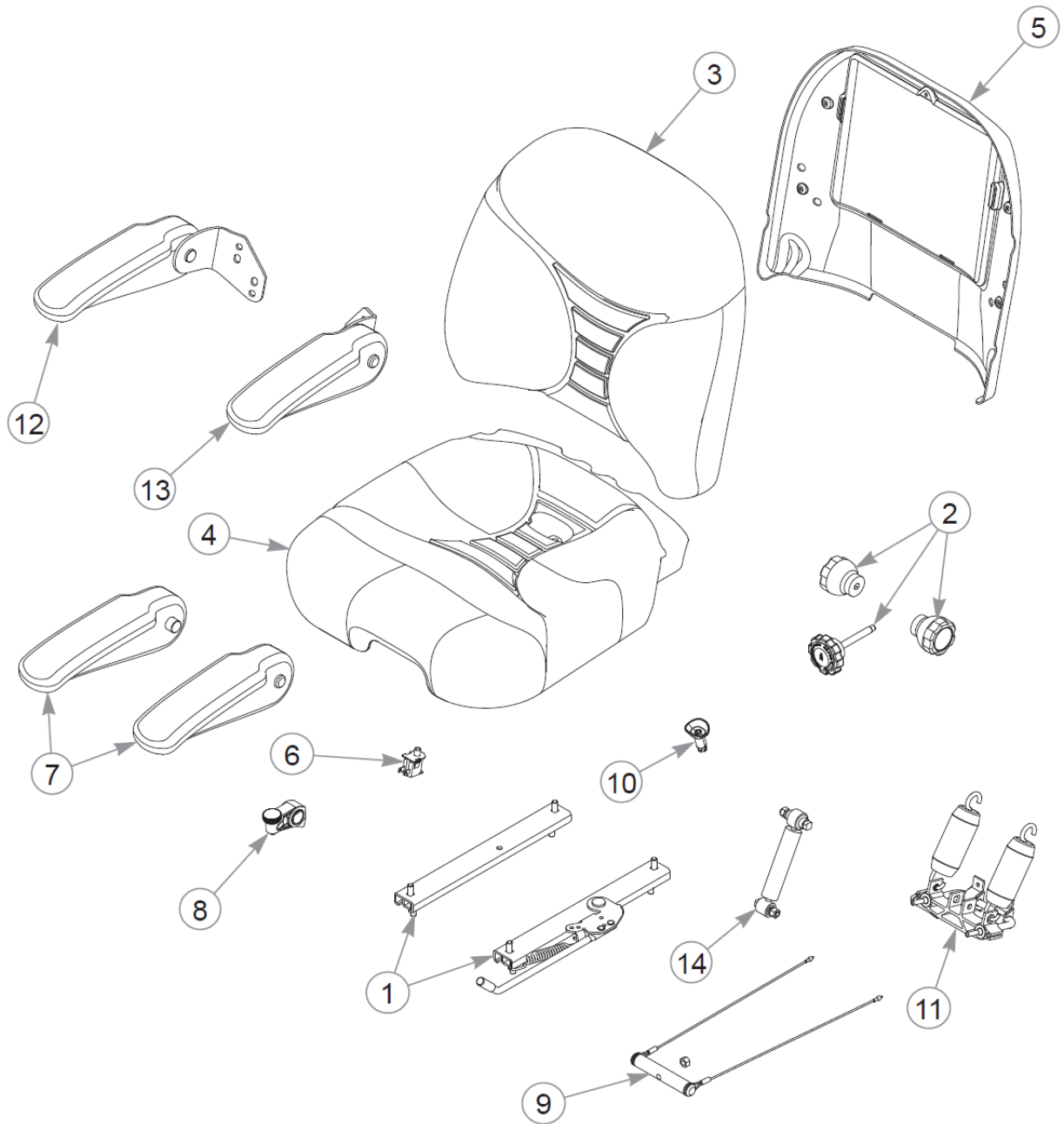
1. 051169 is used on side discharge decks.
2. 789115 is used on rear discharge decks.



Elemento	Parte n.	Q.ta	Nome
1	792051	1	SEAT, MICHIGAN SUSPENS
2	797076	2	CS .437-20X1.000HXG8
3	017129	2	FW .440X1.00X0.08 ZY
4	601444	1	SEAT BELT
5	551136	1	SEAT PAN, SERVICE
6	712927	4	FW 0.344X1.00X.12 HD ZY
7	058776	4	NT .312-18NLG5
8	000331	2	WIRE TIE, SMALL/SHORT
9	086660	3	NT .375-16NLG8
10	767954	16	FW 0.379X.82X.06 HD ZY
11	724716	1	WASHER, FIBER (FS)
12	350421	1	SEAT PAN STOP (PLATED)
13	036244	7	CS .375-16X1.00 HX G5 ZY
14	795583	1	SPRING,TORSION - DIESEL
15	054502	6	NT .375-16HXG5
16	601650	2	VIBRATION MOUNT 70DURO
17	109684	1	SEAT CATCH W/A
18	551138	1	LH FRAME COVER, SERVICE
19	785139	1	DECAL, STEERING L.S.
20	601069	6	CN .312-18x.200 MAX THK
21	551137	1	RH FRAME COVER, SERVICE
22	785220	1	DECAL, STEERING R.S.
23	080358	1	GM .50X1.00X.75X.12
24	768523	6	FW 0.343SAE
25	036236	6	CS .312-18X1.250HXG5

Comments for Page: Seat

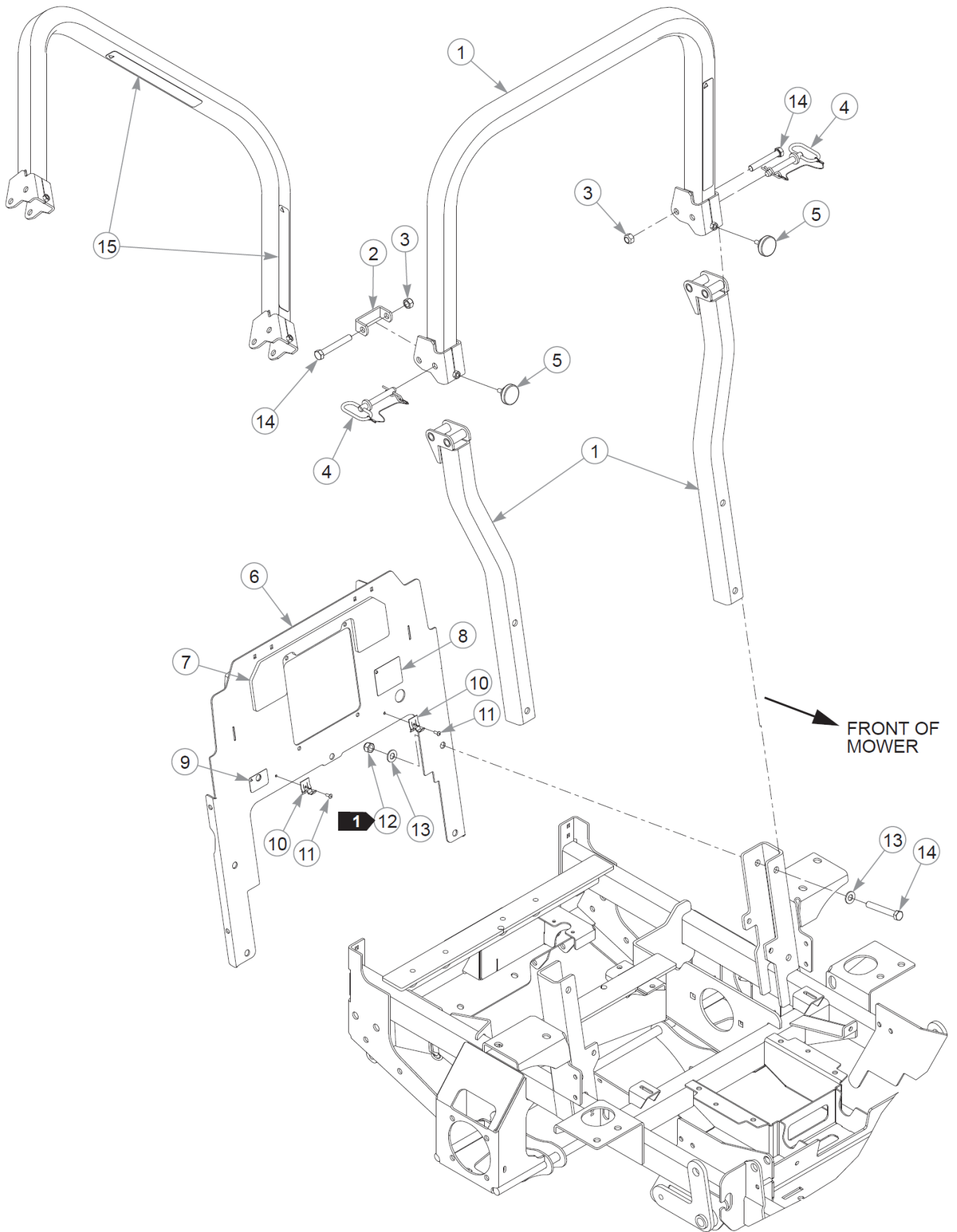
1. The frame covers include decals.



Elemento	Parte n.	Q.ta	Nome
1	793307	1	SLIDE KIT
2	793323	1	KNOB KIT
3	793281	1	BACK CUSHION KIT
4	793299	1	SEAT CUSHION KIT
5	797571	1	SEAT, BACK PANEL KIT
6	793315	1	SWITCH, SNAP MOUNT
7	797480	1	2 ARMRESTS, MOLDED RND
8	793273	1	ARMREST, STOP ASSY
9	601458	1	SEAT WEIGHT ADJUST KIT
10	602076	1	SEAT DRAIN
11	603040	1	SPRING AND SADDLE KIT
12	601533	1	ARMREST ASSEMBLY RH
13	601534	1	ARMREST ASSEMBLY LH
14	603152	1	SHOCK ABSORBER KIT

Comments for Page: Seat Service Parts - 792051

1. The armrest assemblies include brackets.



Elemento	Parte n.	Q.ta	Nome
1	603473	1	KIT, ROPS HDZ
2	601472	1	ROPS STOP
3	023317	2	NT .500-13UNTG8
4	601471	2	LYNCH PIN W/ LANYARD
5	601470	2	KNOB, HAND FOR ROPS
6	551140	1	FIREWALL ASSY, SERVICE
7	601559	1	SEAT PAD, FIREWALL
8	601377	1	DECAL, CHECK ENG OIL
9	601246	1	DECAL, FUEL VALVE HDZ
10	010306	2	LUDWIG SNAP FASTNER A-1
11	601089	2	RIVET .188 DIA BLK HD
12	781567	4	NT .500-13NLG5
13	767962	8	FW .531 x 1.063 x .175
14	061812	6	CS .500-13X3.50 HX G5 ZY
15	601635	2	DECAL, ROP'S

Comments for Page: ROPS & Firewall

1. Torque to 73 ft-lbs.
2. The ROPS kit includes decals, hardware and seatbelt.
3. The firewall kit includes decals, seat pad and hardware.